

14-GAUGE STAINLESS STEEL EQUIPMENT STANDS

ITEM #: _____ QUANTITY: _____

PROJECT: _____

APPROVAL: _____

DATE: _____



FEATURES

- 14-gauge type 304 stainless steel top shelf and legs
- Galvanized steel undershelf and legs add durability
- Perfect for your heavy countertop equipment
- 2" high edging contains equipment and supplies



SPECIFICATIONS



ITEM	LENGTH	WIDTH	WORK HEIGHT	UNDERSHELF DIMENSIONS	TOP SHELF CAPACITY	UNDERSHELF CAPACITY	WEIGHT
600ESS2424S	24"	24"	24"	15 ⁷ / ₈ " x 17 ¹ / ₂ "	700 lb.	540 lb.	35
600ESS2430S	30"	24"	24"	15 ⁷ / ₈ " x 23 ¹ / ₂ "	700 lb.	540 lb.	40
600ESS2436S	36"	24"	24"	15 ⁷ / ₈ " x 29 ¹ / ₂ "	800 lb.	620 lb.	46
600ESS2448S	48"	24"	24"	15 ⁷ / ₈ " x 41 ¹ / ₂ "	800 lb.	620 lb.	58
600ESS2460S	60"	24"	24"	15 ⁷ / ₈ " x 53 ¹ / ₂ "	900 lb.	700 lb.	69
600ESS2472S	72"	24"	24"	15 ⁷ / ₈ " x 65 ¹ / ₂ "	1000 lb.	780 lb.	81
600ESS2484S	84"	24"	24"	15 ⁷ / ₈ " x 77 ¹ / ₂ "	1100 lb.	930 lb.	97
600ESS2496S	96"	24"	24"	15 ⁷ / ₈ " x 89 ¹ / ₂ "	1100 lb.	930 lb.	110
600ESS3024S	24"	30"	24"	21 ³ / ₄ " x 17 ¹ / ₂ "	700 lb.	540 lb.	40
600ESS3030S	30"	30"	24"	21 ³ / ₄ " x 23 ¹ / ₂ "	800 lb.	620 lb.	46
600ESS3036S	36"	30"	24"	21 ³ / ₄ " x 29 ¹ / ₂ "	800 lb.	620 lb.	54
600ESS3048S	48"	30"	24"	21 ³ / ₄ " x 41 ¹ / ₂ "	900 lb.	700 lb.	68
600ESS3060S	60"	30"	24"	21 ³ / ₄ " x 53 ¹ / ₂ "	900 lb.	700 lb.	82
600ESS3072S	72"	30"	24"	21 ³ / ₄ " x 65 ¹ / ₂ "	1000 lb.	780 lb.	95
600ESS3084S	84"	30"	24"	21 ³ / ₄ " x 77 ¹ / ₂ "	1200 lb.	930 lb.	113
600ESS3096S	96"	30"	24"	21 ³ / ₄ " x 89 ¹ / ₂ "	1200 lb.	930 lb.	127

NOTE: 96" Equipment Stands Feature (6) Six Legs for Added Stability

05/2020

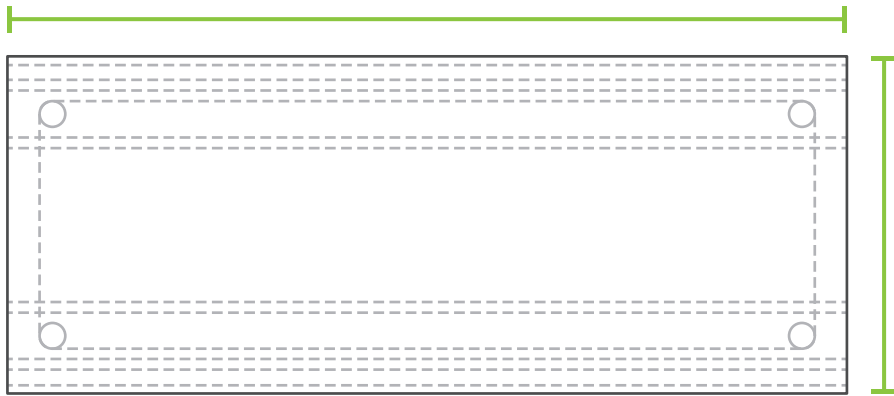
REGENCYTABLESANDSINKS.COM

14-GAUGE STAINLESS STEEL
EQUIPMENT STANDS

REGENCY
Tables and Sinks

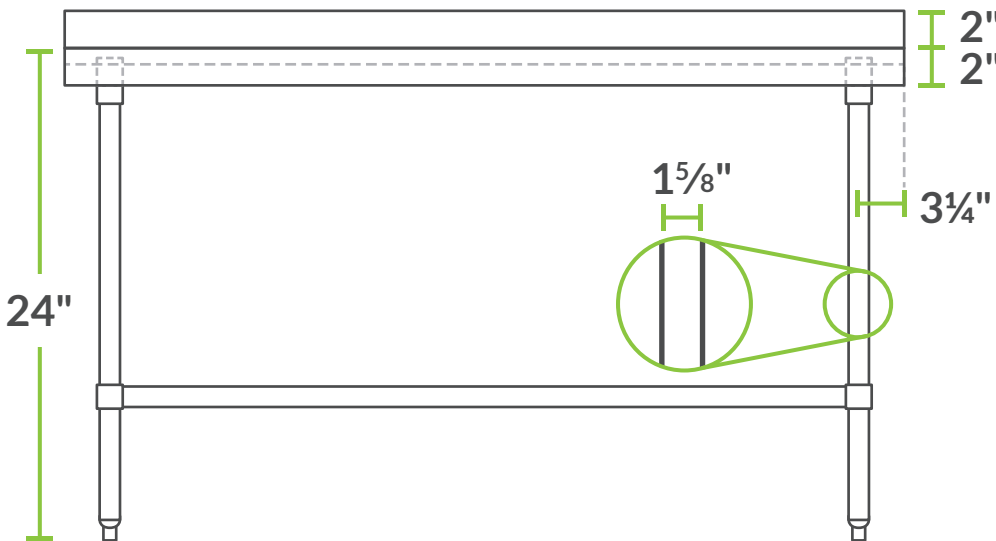
TOP

LENGTH



WIDTH

FRONT



SIDE

