



Profit from the Eagle Advantage®

# Specification Sheet

## Short Form Specifications

Eagle Spec-Master® Three-Compartment Sinks, model \_\_\_\_\_ . Unit constructed of 14/304, 18-8 stainless steel throughout. Sink bowls covered with a full 5/8" radius, and shall have a 14" water level. Drainboards, when required, shall be "V" creased for positive drainage. 9 1/2" high backsplash with 1" upturn and tile edge. Legs to be 1 1/2" O.D., stainless steel, with stainless steel gussets, stainless steel crossbracing and adjustable stainless steel bullet feet.



3-compartment sink  
(faucets not included)

## Options / Accessories

- Lever drain
- Lever drain with overflow
- Twist handle drains
- Overflow hole
- Sink kits
- Faucets
- Polyboard sink covers
- Stainless steel sink covers
- Skirted front panel

## Assembly:

- Entire assembly is fuse-welded and planished, providing a one-piece seamless sink unit.
- Welded areas are high-speed belt blended to match adjacent surfaces with continuity of satin finish.
- All outside corners of assembly are bullnosed to provide safe, clean edges.
- Water supply is 1/2" (13mm) IPS for hot and cold lines.

## EAGLE GROUP

100 Industrial Boulevard, Clayton, DE 19938-8903 USA  
Phone: 302-653-3000 • Fax: 302-653-2065  
www.eaglegrp.com

Foodservice Division: Phone 800-441-8440

MHC/Retail Display Divisions: Phone 800-637-5100

For custom configuration or fabrication needs, contact our **SpecFAB®** Division.

Phone: 302-653-3000 • Fax: 302-653-3091 • e-mail: specfab@eaglegrp.com

Item No.: \_\_\_\_\_  
 Project No.: \_\_\_\_\_  
 S.I.S. No.: \_\_\_\_\_

# Spec-Master® FN Series Coved Corner Three-Compartment Sinks

## MODELS:

- FN2048-3-\*
- FN2054-3-\*
- FN2060-3-\*
- FN2472-3-\*
- FN2860-3-\*

\* See table on back for complete model numbers.

## Top:

- Drainboards, backsplash and rolled rims are 14 gauge type 304 stainless steel.
- Drainboards, when provided, are integrally welded.
- All rolled edges are highlighted for enhanced appearance.
- 9 1/2" high backsplash with 1" upturn and tile edge.
- 1 1/2" (29mm) faucet holes\*\* punched on 8" (203mm) centers.

## Base:

- Legs: 1 1/2" (41mm)-diameter stainless steel tubing with stainless steel gussets and fully adjustable stainless steel bullet feet.
- Crossbracing: Adjustable, 1 1/4" (32mm)-diameter stainless steel; running left-to-right and front-to-back.
- Leg locations fall directly under sink bowls, providing increased stability and maximum weight support.
- Leg gussets welded to a die-cut heavy-gauge stainless steel reinforcing corner plate.
- Legs are crossbraced on all sides for increased stability.

## Sink Bowls:

- 14 gauge type 304 stainless steel.
- 14" (356mm) water level, 17" (432mm) flood level.
- Sink compartments are coved on a full 5/8" (41mm) radius and constructed using state-of-the-art seamless welding techniques.
- Basket-type waste drain fits sink bowls' 3 1/2" (89mm) opening and features 1 1/2" (38mm) outlet.

\*\* Three-compartment sinks with 20" x 16" (508 x 406mm) bowls have one set of faucet holes. All others feature two sets of faucet holes.

## Certifications / Approvals



EG20.34 Rev. 04/10

Spec sheets available for viewing, printing or downloading from our online literature library at [www.eaglegrp.com](http://www.eaglegrp.com)

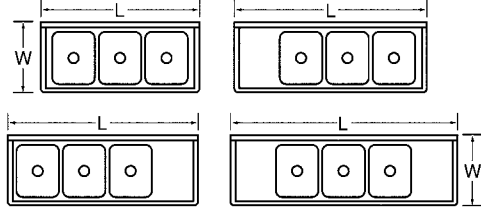
Eagle Foodservice Equipment, Eagle MHC, SpecFAB®, and Retail Display are divisions of Eagle Group. ©2010 by the Eagle Group



Profit from the Eagle Advantage®

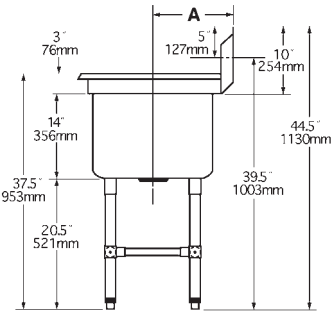
Item No.: \_\_\_\_\_  
 Project No.: \_\_\_\_\_  
 S.I.S. No.: \_\_\_\_\_

# Spec-Master® FN Series Coved Corner Three-Compartment Sinks



### Drain location for rough-in

bowl width	bowl length	Dimension A	
in. mm	in. mm	in.	mm
20" 508	16" 406	14"	356
20" 508	18" 457	14"	356
20" 508	20" 508	14"	356
24" 610	24" 610	16"	406
28" 711	20" 508	18"	457



model #	BOWL DIMENSIONS				DRAINBOARD			OVERALL DIMENSIONS				weight	
	width		length		quantity	length		width		length		lbs.	kg
	in.	mm	in.	mm		in.	mm	in.	mm	in.	mm		
FN2048-3-14/3	20"	508	16"	406	0	-	-	27"	686	57"	1448	99	44.9
FN2048-3-18R or L-14/3	20"	508	16"	406	1	18"	457	27"	686	73½"	1867	118	53.5
FN2048-3-18-14/3	20"	508	16"	406	2	18"	457	27"	686	90"	2286	137	61.7
FN2048-3-24R or L-14/3	20"	508	16"	406	1	24"	610	27"	686	79½"	2019	124	56.2
FN2048-3-24-14/3	20"	508	16"	406	2	24"	610	27"	686	102"	2591	149	67.6
FN2048-3-30R or L-14/3	20"	508	16"	406	1	30"	762	27"	686	85½"	2172	129	58.5
FN2048-3-30-14/3	20"	508	16"	406	2	30"	762	27"	686	114"	2896	159	72.1
FN2048-3-36R or L-14/3	20"	508	16"	406	1	36"	914	27"	686	91½"	2324	134	60.8
FN2048-3-36-14/3	20"	508	16"	406	2	36"	914	27"	686	126"	3200	169	76.7
FN2054-3-14/3 *	20"	508	18"	457	0	-	-	27"	686	63"	1600	102	46.3
FN2054-3-18R or L-14/3 *	20"	508	18"	457	1	18"	457	27"	686	79½"	2019	121	54.9
FN2054-3-18-14/3 *	20"	508	18"	457	2	18"	457	27"	686	96"	2438	140	63.5
FN2054-3-24R or L-14/3 *	20"	508	18"	457	1	24"	610	27"	686	85½"	2172	127	57.6
FN2054-3-24-14/3 *	20"	508	18"	457	2	24"	610	27"	686	108"	2743	158	71.6
FN2054-3-30R or L-14/3 *	20"	508	18"	457	1	30"	762	27"	686	91½"	2324	132	59.9
FN2054-3-30-14/3 *	20"	508	18"	457	2	30"	762	27"	686	120"	3048	162	73.5
FN2054-3-36R or L-14/3 *	20"	508	18"	457	1	36"	914	27"	686	97½"	2477	137	62.1
FN2054-3-36-14/3 *	20"	508	18"	457	2	36"	914	27"	686	132"	3358	172	78.0
FN2060-3-14/3 *	20"	508	20"	508	0	-	-	27"	686	69"	1753	114	51.7
FN2060-3-18R or L-14/3 *	20"	508	20"	508	1	18"	457	27"	686	85½"	2172	133	60.3
FN2060-3-18-14/3 *	20"	508	20"	508	2	18"	457	27"	686	102"	2591	152	68.9
FN2060-3-24R or L-14/3 *	20"	508	20"	508	1	24"	610	27"	686	91½"	2324	139	63.1
FN2060-3-24-14/3 *	20"	508	20"	508	2	24"	610	27"	686	114"	2896	164	74.4
FN2060-3-30R or L-14/3 *	20"	508	20"	508	1	30"	762	27"	686	97½"	2477	144	65.3
FN2060-3-30-14/3 *	20"	508	20"	508	2	30"	762	27"	686	126"	3200	174	78.9
FN2060-3-36R or L-14/3 *	20"	508	20"	508	1	36"	914	27"	686	103½"	2629	149	67.6
FN2060-3-36-14/3 *	20"	508	20"	508	2	36"	914	27"	686	138"	3505	184	83.5
FN2472-3-14/3 *	24"	610	24"	610	0	-	-	31"	787	81"	2057	127	57.6
FN2472-3-18R or L-14/3 *	24"	610	24"	610	1	18"	457	31"	787	97½"	2477	146	66.2
FN2472-3-18-14/3 *	24"	610	24"	610	2	18"	457	31"	787	114"	2896	165	74.8
FN2472-3-24R or L-14/3 *	24"	610	24"	610	1	24"	610	31"	787	103½"	2629	152	68.9
FN2472-3-24-14/3 *	24"	610	24"	610	2	24"	610	31"	787	126"	3200	177	80.3
FN2472-3-30R or L-14/3 *	24"	610	24"	610	1	30"	762	31"	787	109½"	2769	157	71.2
FN2472-3-30-14/3 *	24"	610	24"	610	2	30"	762	31"	787	138"	3505	187	84.8
FN2472-3-36R or L-14/3 *	24"	610	24"	610	1	36"	914	31"	787	115½"	2934	162	73.5
FN2472-3-36-14/3 *	24"	610	24"	610	2	36"	914	31"	787	150"	3810	197	89.4
FN2860-3-14/3 *	28"	711	20"	508	0	-	-	35"	889	69"	1753	130	59.0
FN2860-3-18R or L-14/3 *	28"	711	20"	508	1	18"	457	35"	889	85½"	2172	149	67.6
FN2860-3-18-14/3 *	28"	711	20"	508	2	18"	457	35"	889	102"	2591	168	76.2
FN2860-3-24R or L-14/3 *	28"	711	20"	508	1	24"	610	35"	889	91½"	2324	155	70.3
FN2860-3-24-14/3 *	28"	711	20"	508	2	24"	610	35"	889	114"	2896	180	81.6
FN2860-3-30R or L-14/3 *	28"	711	20"	508	1	30"	762	35"	889	97½"	2477	160	72.6
FN2860-3-30-14/3 *	28"	711	20"	508	2	30"	762	35"	889	126"	3200	190	86.2
FN2860-3-36R or L-14/3 *	28"	711	20"	508	1	36"	914	35"	889	103½"	2629	165	74.8
FN2860-3-36-14/3 *	28"	711	20"	508	2	36"	914	35"	889	138"	3505	200	90.7

\* Features two sets of faucet holes.

**EAGLE GROUP**  
 100 Industrial Boulevard, Clayton, DE 19938-8903 USA  
 Phone: 302-653-3000 • Fax: 302-653-2065  
 www.eaglegrp.com

Foodservice Division: Phone 800-441-8440  
 MHC/Retail Display Divisions: Phone 800-637-5100

Printed in U.S.A.  
 ©2010 by Eagle Group  
 Rev. 04/10

Spec sheets available for viewing, printing or downloading from our online literature library at [www.eaglegrp.com](http://www.eaglegrp.com)

Although every attempt has been made to ensure the accuracy of the information provided, we cannot be held responsible for typographical or printing errors. Information and specifications are subject to change without notice. Please confirm at time of order.