



**T&S BRASS AND BRONZE WORKS, INC.**  
 2 Saddleback Cove / P.O. Box 1088  
 Travelers Rest, SC 29690

Model No.  
**S-0212-CR**

Item No.

Travelers Rest, SC: 800-476-4103 • Simi Valley, CA: 800-423-0150 • Fax: 864-834-3518 • www.tsbrass.com

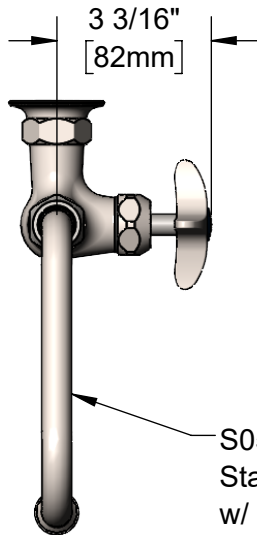
This Space for Architect/Engineer Approval

Job Name \_\_\_\_\_ Date \_\_\_\_\_  
 Model Specified \_\_\_\_\_ Quantity \_\_\_\_\_  
 Customer/Wholesaler \_\_\_\_\_  
 Contractor \_\_\_\_\_  
 Architect/Engineer \_\_\_\_\_

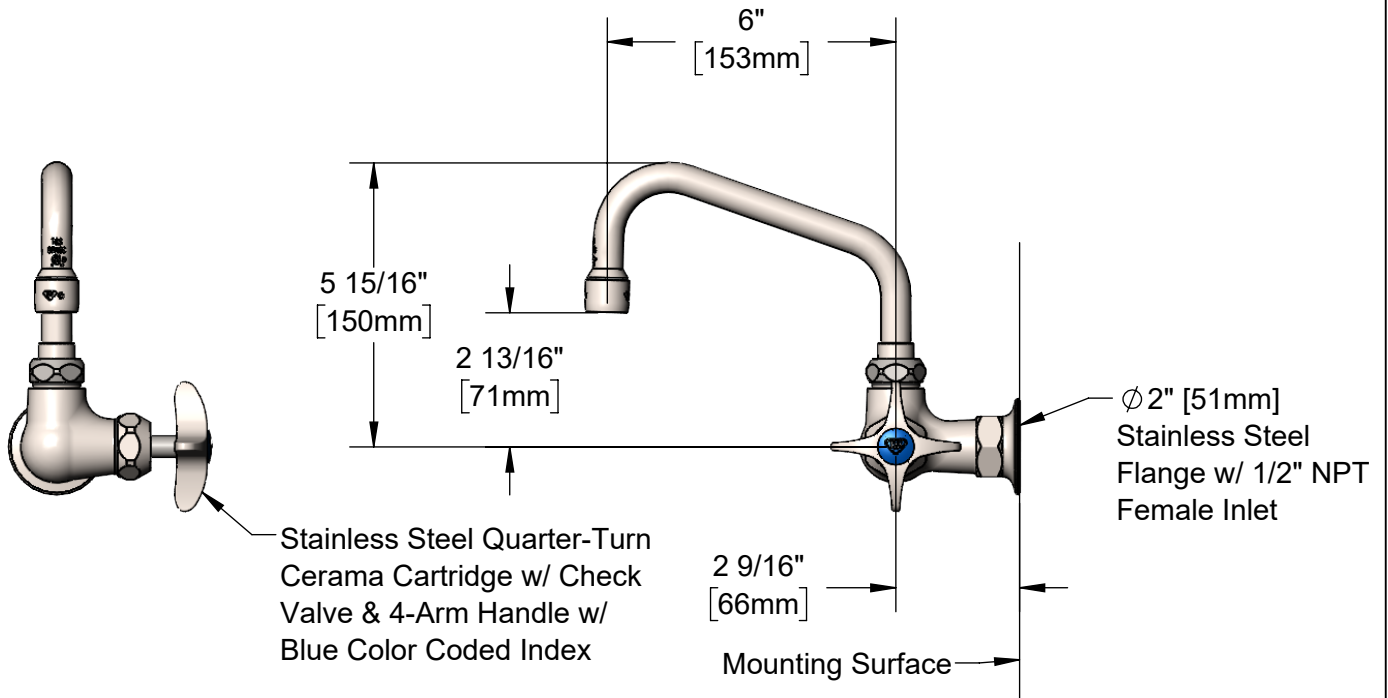
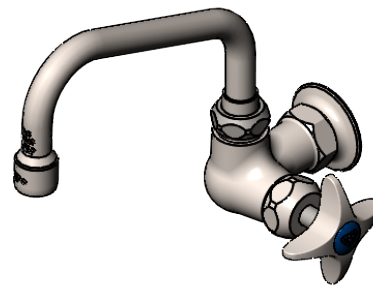
**EVERSTEEL**



**ADA Compliant**



S059X  
 Stainless Steel 6" Swing Nozzle  
 w/ Stream Regulator Outlet.  
 Converts to Rigid w/ 014200-45  
 Lock Washer (Included)



Stainless Steel Quarter-Turn  
 Cerama Cartridge w/ Check  
 Valve & 4-Arm Handle w/  
 Blue Color Coded Index

Ø2" [51mm]  
 Stainless Steel  
 Flange w/ 1/2" NPT  
 Female Inlet

Mounting Surface

**Product Specifications:**

Stainless Steel Single Hole Single Temperature Wall Mount Faucet, Stainless Steel 4-Arm Handle, Stainless Steel Quarter-Turn Cerama Cartridge w/ Check Valve, Stainless Steel 6" Swing Nozzle w/ Stream Regulator Outlet & 1/2" NPT Female Inlet

**Product Compliance:**

ASME A112.18.1 / CSA B125.1  
 NSF 61 - Section 9  
 NSF 372 (Low Lead Content)  
 ANSI A117.1 (ADA)



# T&S BRASS AND BRONZE WORKS, INC.

2 Saddleback Cove / P.O. Box 1088  
Travelers Rest, SC 29690

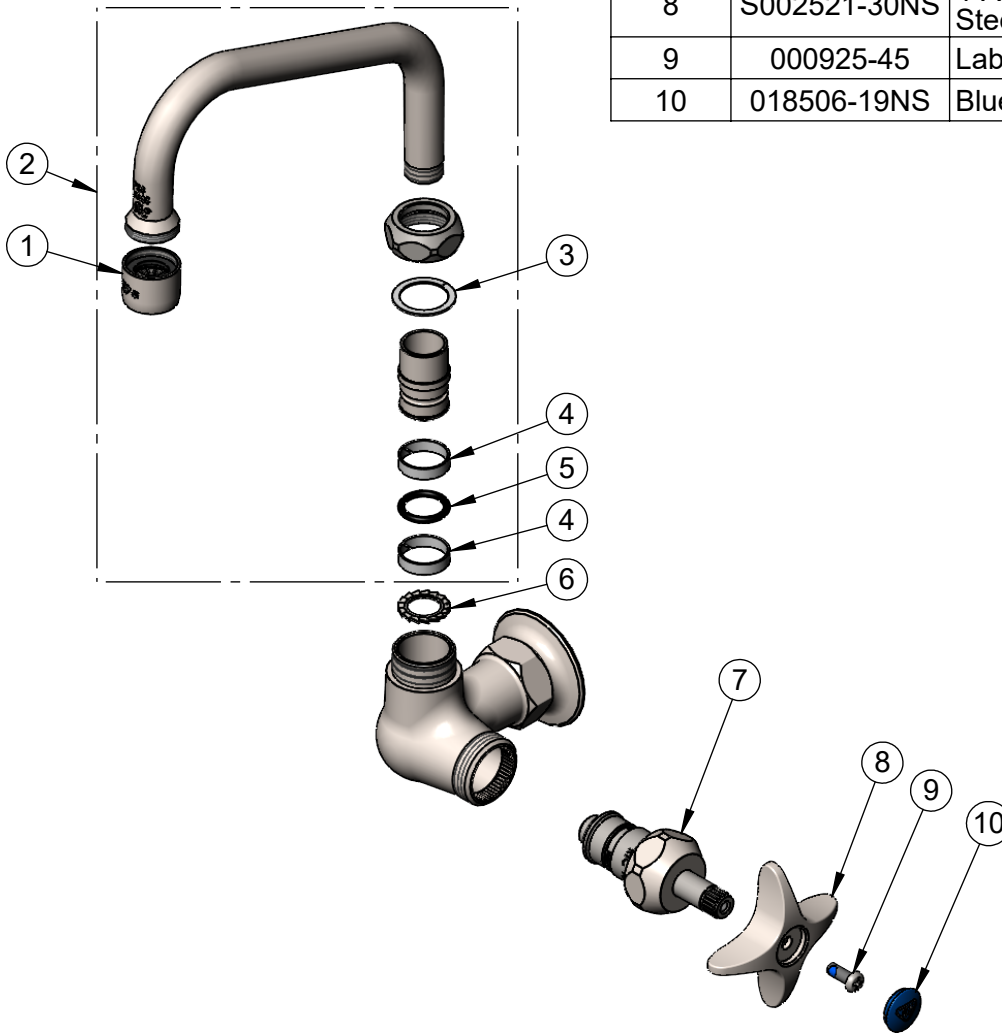
Model No.

**S-0212-CR**

Item No.

Travelers Rest, SC: 800-476-4103 • Simi Valley, CA: 800-423-0150 • Fax: 864-834-3518 • www.tsbrass.com

ITEM NO.	SALES NO.	DESCRIPTION
1	S-PT	Full Flow Stream Regulator, 55/64-27
2	S059X	Stainless Steel 6" Swing Nozzle
3	009538-45	Swivel Washer
4	011429-45	Swivel Sleeves (2)
5	001074-45	O-Ring
6	014200-45	Star Washer, Anti-Rotation
7	S012394-30NS	Stainless Steel Quarter-Turn Cerama Cartridge w/ Check Valve, RTC
8	S002521-30NS	4-Arm Handle (New Style), Stainless Steel
9	000925-45	Lab Handle Screw
10	018506-19NS	Blue Button Index, Press-in



**Product Specifications:**

Stainless Steel Single Hole Single Temperature Wall Mount Faucet, Stainless Steel 4-Arm Handle, Stainless Steel Quarter-Turn Cerama Cartridge w/ Check Valve, Stainless Steel 6" Swing Nozzle w/ Stream Regulator Outlet & 1/2" NPT Female Inlet

**Product Compliance:**

ASME A112.18.1 / CSA B125.1  
NSF 61 - Section 9  
NSF 372 (Low Lead Content)  
ANSI A117.1 (ADA)