



T&S BRASS AND BRONZE WORKS, INC.

2 Saddleback Cove / P.O. Box 1088
Travelers Rest, SC 29690

Model No.

EC-3122-VF05

Item No.

Travelers Rest, SC: 800-476-4103 • Simi Valley, CA: 800-423-0150 • Fax: 864-834-3518 • www.tsbrass.com

This Space for Architect/Engineer Approval

Job Name _____ Date _____

Model Specified _____ Quantity _____

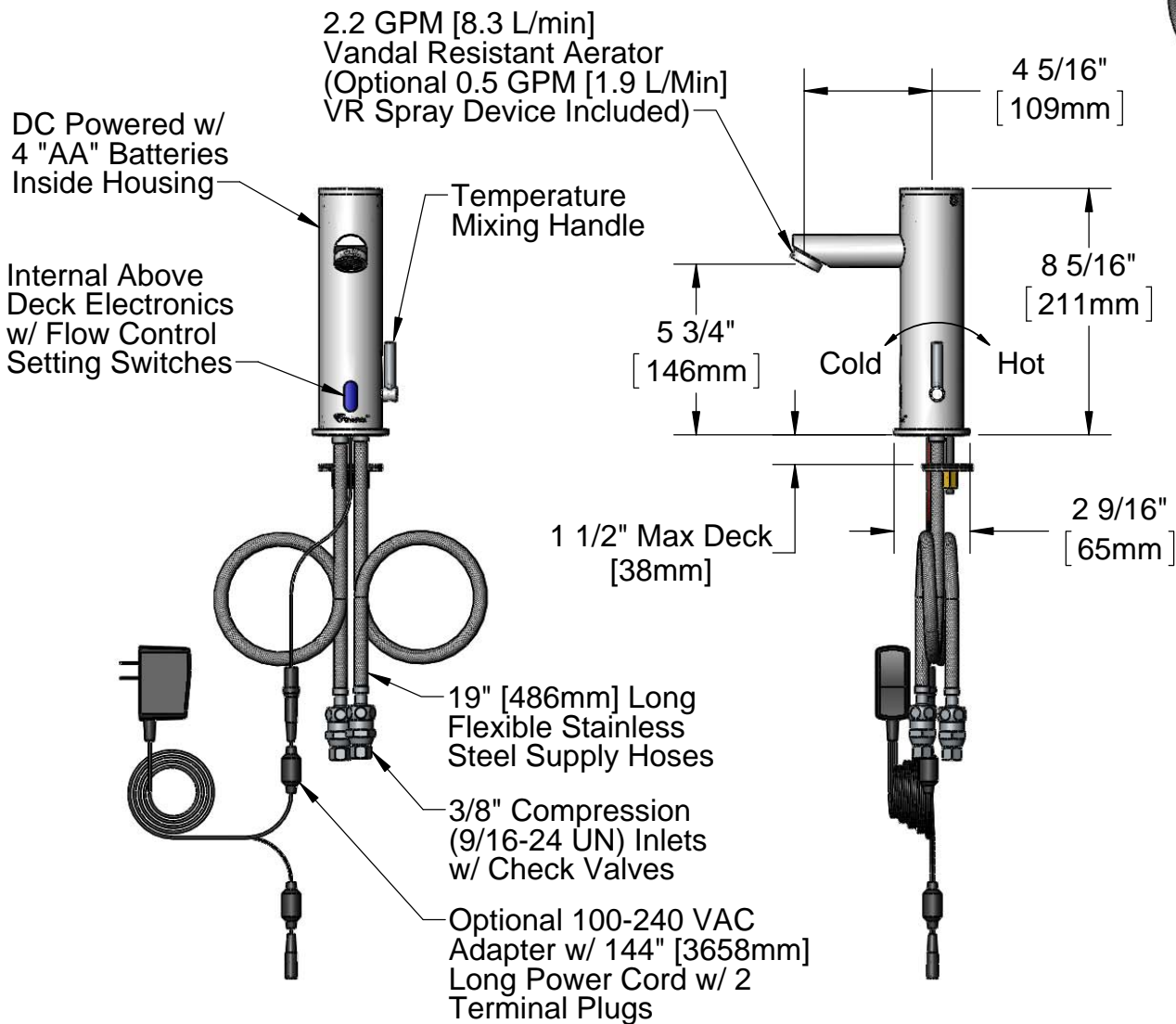
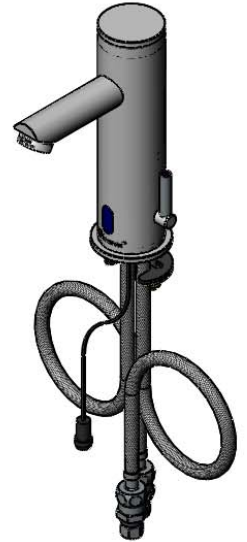
Customer/Wholesaler _____

Contractor _____

Architect/Engineer _____



ADA Compliant



Rough-In: ϕ 1 1/2" [38mm] Hole

Product Specifications:
Chrome Plated Brass Above Deck Electronics Faucet, Single Hole
Deck Mount, 2.2 GPM VR Aerator, Optional VR 0.5 GPM Spray
Device, Above Deck Temperature Control, Battery or AC Adapter
Powered, Stainless Steel Flexible Supply Lines, 3/8" Comp. Inlets

| | | |
|----------------------|-----------------------|--------------------------|
| Drawn DMH | Checked GEF | Approved JHB |
| Scale: 1:6 | | Date: 12/22/11 |



T&S BRASS AND BRONZE WORKS, INC.

2 Saddleback Cove / P.O. Box 1088
Travelers Rest, SC 29690

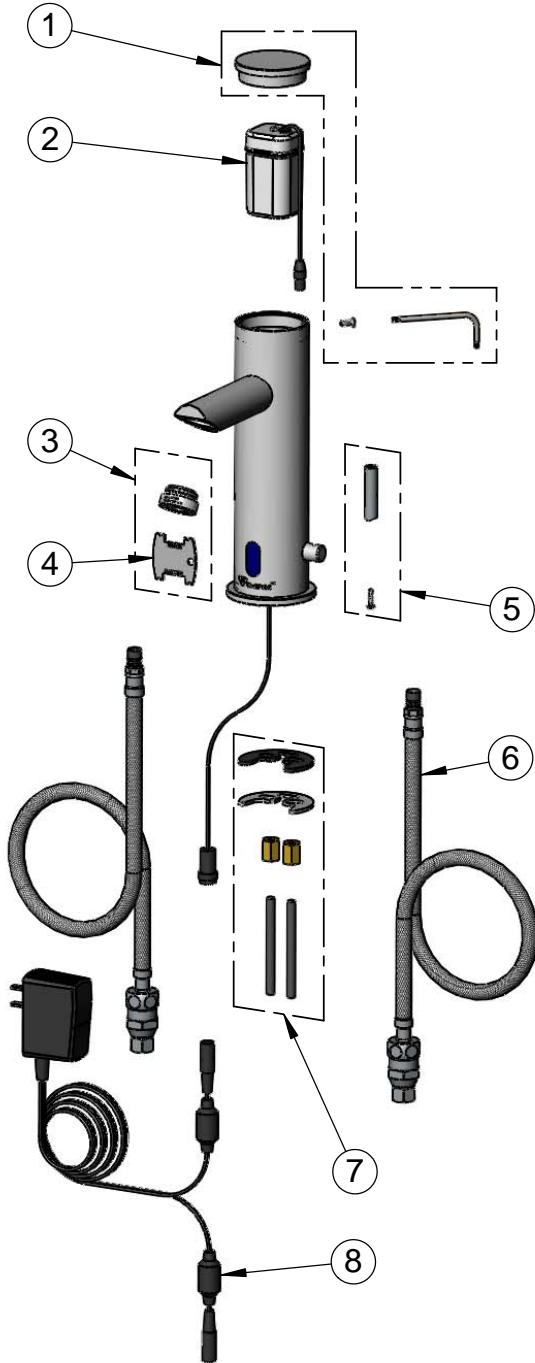
Model No.

EC-3122-VF05

Item No.

Travelers Rest, SC: 800-476-4103 • Simi Valley, CA: 800-423-0150 • Fax: 864-834-3518 • www.tsbrass.com

| ITEM NO. | SALES NO. | DESCRIPTION |
|----------|---------------|---|
| 1 | 018160-40 | Cap, Screw & Wrench Kit |
| 2 | 018227-45 | Battery Holder |
| 3 | B-0199-09-N05 | 0.5 GPM VR Spray Device |
| 4 | 015425-45 | Vandal Resistant Key |
| 5 | 018230-45 | Lever Handle w/ Screw |
| 6 | 018232-45 | Flex Hose w/ Check Valve Adapter Assembly |
| 7 | 018233-45 | Mounting Hardware Kit |
| 8 | 5EF-0002 | AC Transformer |



Product Specifications:

Chrome Plated Brass Above Deck Electronics Faucet, Single Hole Deck Mount, 2.2 GPM VR Aerator, Optional VR 0.5 GPM Spray Device, Above Deck Temperature Control, Battery or AC Adapter Powered, Stainless Steel Flexible Supply Lines, 3/8" Comp. Inlets

| | | |
|----------------------|-----------------------|--------------------------|
| Drawn DMH | Checked GEF | Approved JHB |
| Scale: NTS | | Date: 12/22/11 |