



T&S BRASS AND BRONZE WORKS, INC.

2 Saddleback Cove / P.O. Box 1088
Travelers Rest, SC 29690

Model No.

EC-3122

Item No.

Travelers Rest, SC: 800-476-4103 • Simi Valley, CA: 800-423-0150 • Fax: 864-834-3518 • www.tsbrass.com

This Space for Architect/Engineer Approval

Job Name _____ Date _____

Model Specified _____ Quantity _____

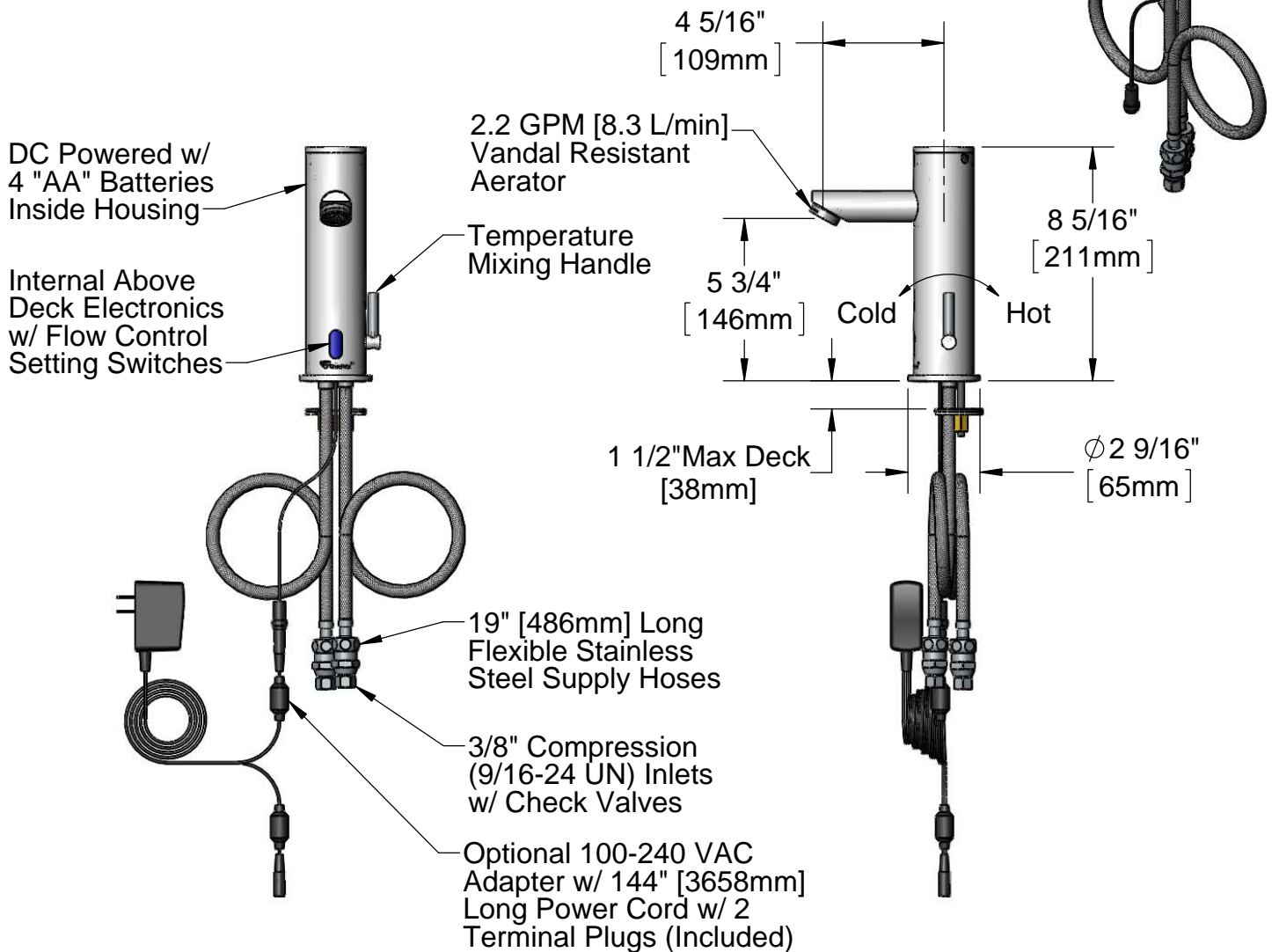
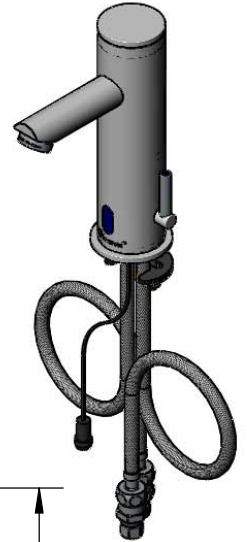
Customer/Wholesaler _____

Contractor _____

Architect/Engineer _____



ADA Compliant



Rough-In: Ø 1 1/2" [38mm] Hole

Product Specifications:
 Chrome Plated Brass Above Deck Electronics Faucet:
 Single Hole Deck Mount, 2.2 GPM VR Aerator, Above Deck
 Temperature Control, Battery or AC Adapter Powered, Stainless
 Steel Flexible Supply Lines, 3/8" Compression Inlets

Drawn DMH	Checked GEF	Approved JHB
Scale: 1:6		Date: 01/05/12



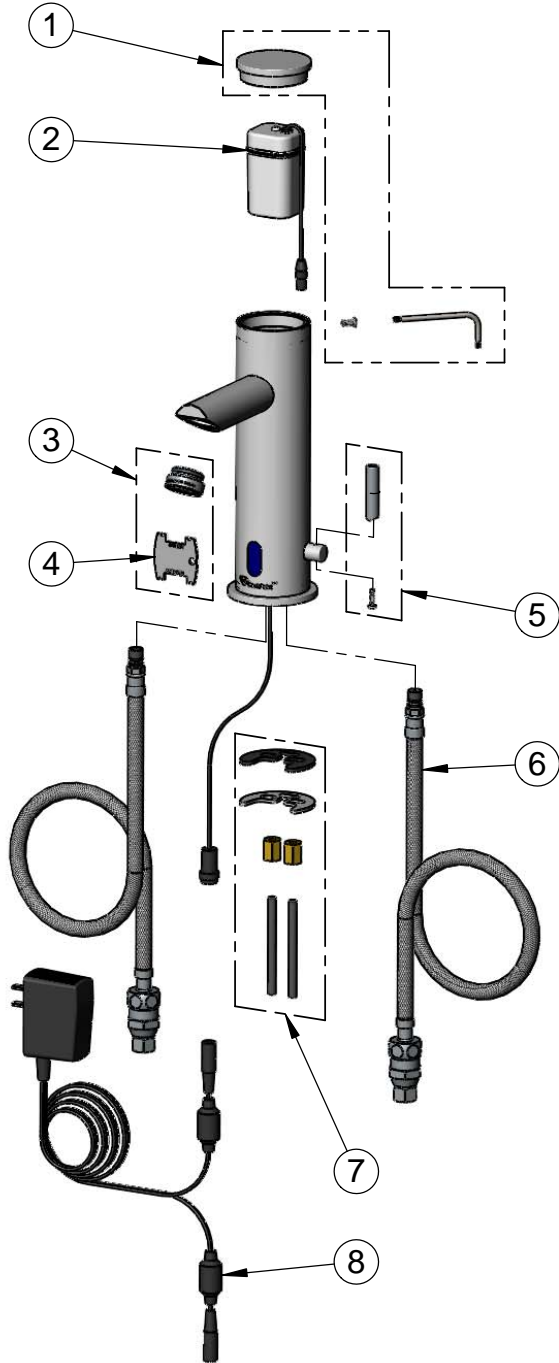
T&S BRASS AND BRONZE WORKS, INC.

2 Saddleback Cove / P.O. Box 1088
Travelers Rest, SC 29690

Model No.
EC-3122

Item No.

Travelers Rest, SC: 800-476-4103 • Simi Valley, CA: 800-423-0150 • Fax: 864-834-3518 • www.tsbrass.com



ITEM NO.	SALES NO.	DESCRIPTION
1	018160-40	Cap, Screw & Wrench Kit
2	018227-45	Battery Holder
3	B-0199-09	2.2 GPM VR Aerator
4	015425-45	Vandal Resistant Key
5	018230-45	Lever Handle w/ Screw
6	018232-45	Flex Hose w/ Check Valve Adapter Asm.
7	018233-45	Mounting Hardware Kit
8	5EF-0002	A/C Transformer

Product Specifications:

Chrome Plated Brass Above Deck Electronics Faucet:
Single Hole Deck Mount, 2.2 GPM VR Aerator, Above Deck
Temperature Control, Battery or AC Adapter Powered, Stainless
Steel Flexible Supply Lines, 3/8" Compression Inlets

Drawn DMH	Checked GEF	Approved JHB
Scale: NTS		Date: 01/05/12