



# T&S BRASS AND BRONZE WORKS, INC.

2 Saddleback Cove / P.O. Box 1088  
Travelers Rest, SC 29690

Model No.

**BL-5775-01**

Item No.

Travelers Rest, SC: 800-476-4103 • Simi Valley, CA: 800-423-0150 • Fax: 864-834-3518 • www.tsbrass.com

This Space for Architect/Engineer Approval

Job Name \_\_\_\_\_ Date \_\_\_\_\_

Model Specified \_\_\_\_\_ Quantity \_\_\_\_\_

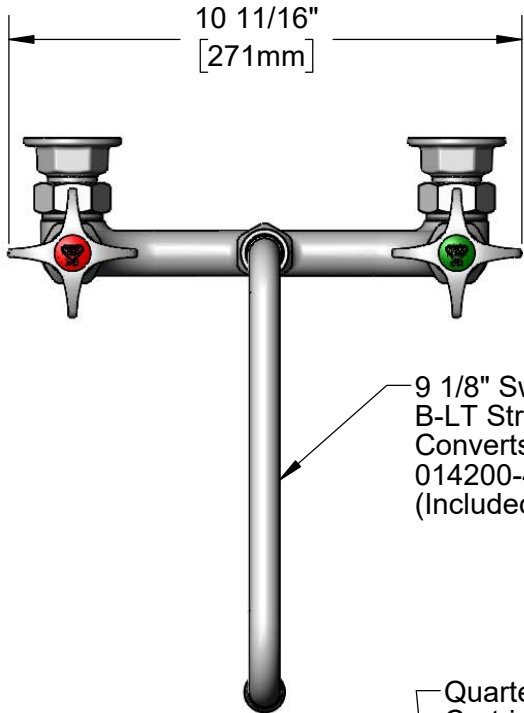
Customer/Wholesaler \_\_\_\_\_

Contractor \_\_\_\_\_

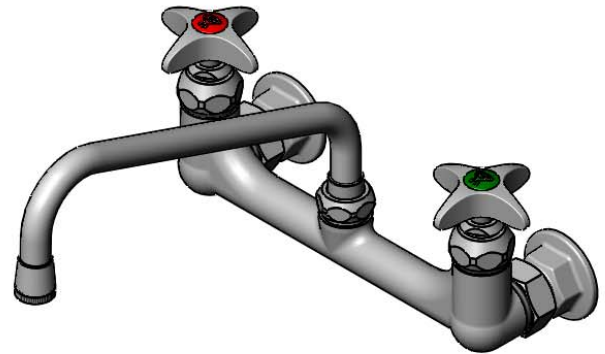
Architect/Engineer \_\_\_\_\_



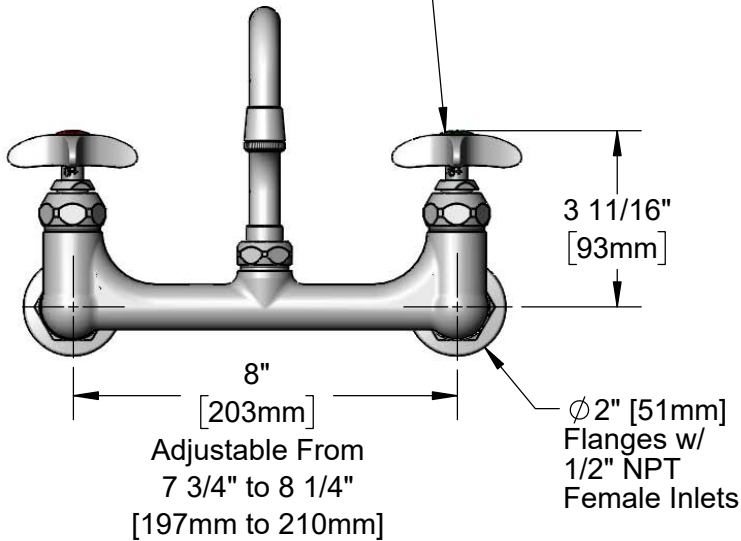
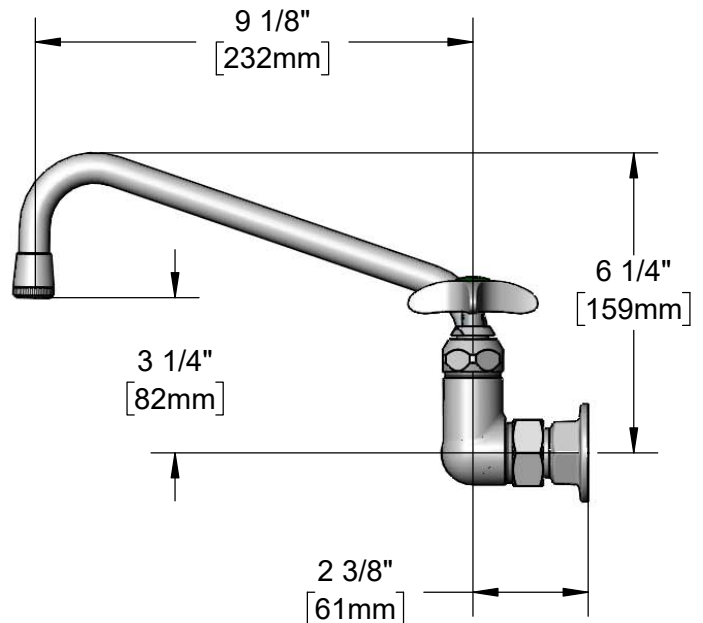
**ADA Compliant**



9 1/8" Swing Nozzle w/  
B-LT Stream Regulator Outlet.  
Converts to Rigid w/  
014200-45 Lock Washer  
(Included)



Quarter-Turn Eterna  
Cartridges w/  
Spring Checks &  
4-Arm Lab Handles w/  
Color Coded Indexes



**Product Specifications:**

8" Wall Mount Mixing Faucet w/ 9 1/8" Swing Nozzle, Stream Regulator Outlet, Quarter-Turn Eterna Cartridges w/ Spring Checks, 4-Arm Lab Handles & 1/2" NPT Female Inlets

**Product Compliance:**

ASME A112.18.1 / CSA B125.1  
NSF 61 - Section 9  
NSF 372 (Low Lead Content)  
ANSI A117.1 (ADA)



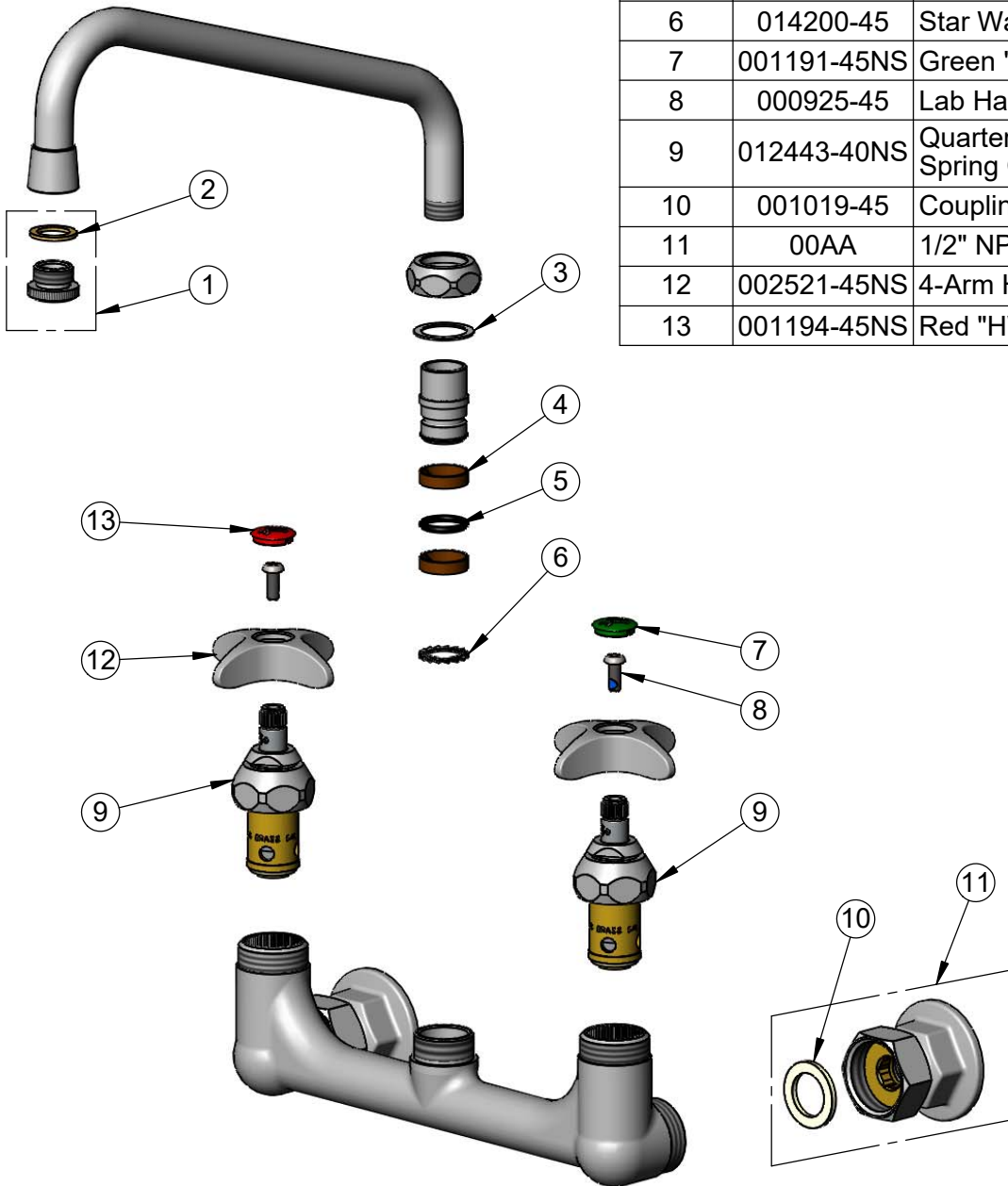
**T&S BRASS AND BRONZE WORKS, INC.**  
 2 Saddleback Cove / P.O. Box 1088  
 Travelers Rest, SC 29690

Model No.  
**BL-5775-01**

Item No.

Travelers Rest, SC: 800-476-4103 • Simi Valley, CA: 800-423-0150 • Fax: 864-834-3518 • www.tsbrass.com

| ITEM NO. | SALES NO.   | DESCRIPTION  |
|----------|-------------|--|
| 1        | B-LT        | Stream Regulator Outlet                            |
| 2        | 001043-45   | Washer   |
| 3        | 009538-45   | Swivel Washer                                      |
| 4        | 011429-45   | Swivel Sleeves (2)                                 |
| 5        | 001074-45   | O-Ring   |
| 6        | 014200-45   | Star Washer, Anti-Rotation                         |
| 7        | 001191-45NS | Green "CW" Lab Button Index                        |
| 8        | 000925-45   | Lab Handle Screw                                   |
| 9        | 012443-40NS | Quarter-Turn Eterna Cartridge, RTC w/ Spring Check |
| 10       | 001019-45   | Coupling Nut Washer                                |
| 11       | 00AA        | 1/2" NPT Female Eccentric Flange                   |
| 12       | 002521-45NS | 4-Arm Handle (New Style)                           |
| 13       | 001194-45NS | Red "HW" Lab Button Index                          |



**Product Specifications:**  
 8" Wall Mount Mixing Faucet w/ 9 1/8" Swing Nozzle, Stream Regulator Outlet, Quarter-Turn Eterna Cartridges w/ Spring Checks, 4-Arm Lab Handles & 1/2" NPT Female Inlets

**Product Compliance:**  
 ASME A112.18.1 / CSA B125.1  
 NSF 61 - Section 9  
 NSF 372 (Low Lead Content)  
 ANSI A117.1 (ADA)