



**T&S BRASS AND BRONZE WORKS, INC.**  
 2 Saddleback Cove / P.O. Box 1088  
 Travelers Rest, SC 29690

Model No.  
**BL-4710-01**

Item No.

Travelers Rest, SC: 800-476-4103 • Simi Valley, CA: 800-423-0150 • Fax: 864-834-3518 • www.tsbrass.com

This Space for Architect/Engineer Approval

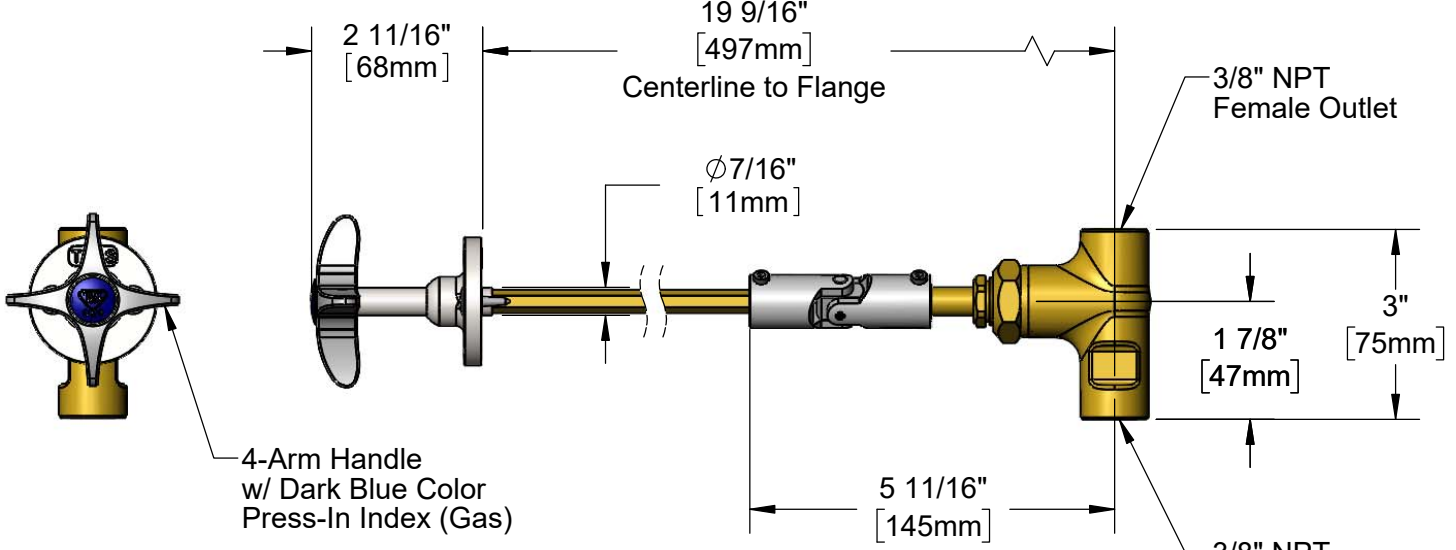
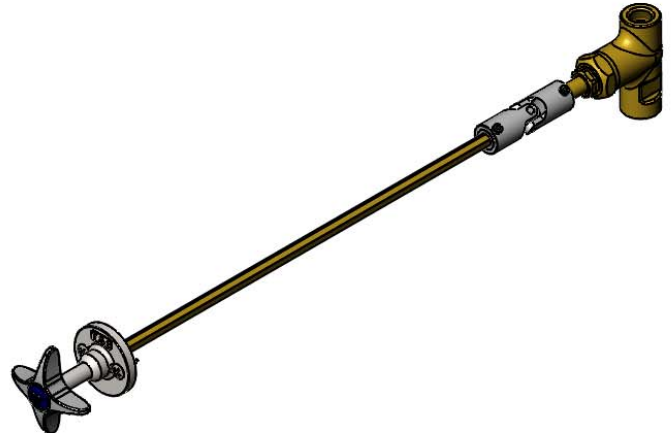
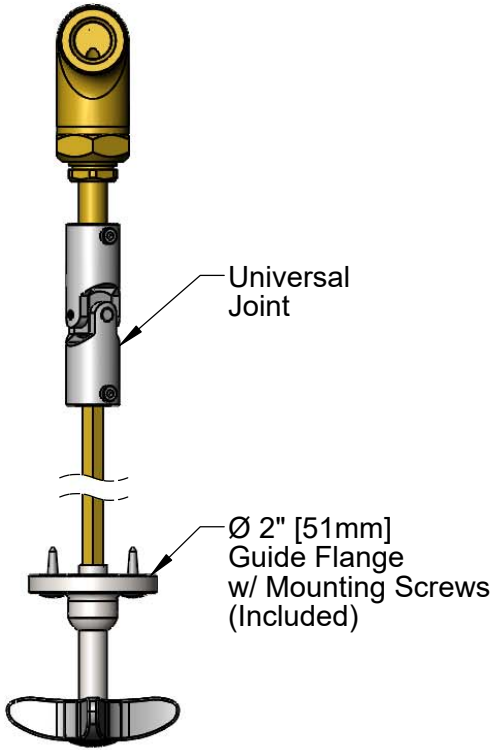
Job Name \_\_\_\_\_ Date \_\_\_\_\_



Model Specified \_\_\_\_\_ Quantity \_\_\_\_\_

Customer/Wholesaler \_\_\_\_\_

Contractor \_\_\_\_\_

Architect/Engineer \_\_\_\_\_



 <b>209L-VAC-NS</b> Yellow VAC Index (Included)	 <b>209L-AIR-NS</b> Orange AIR Index (Included)
---------------------------------------------------------------------------------------------------------------------------------------------	---------------------------------------------------------------------------------------------------------------------------------------------

**Product Specifications:**  
 Remote Control Straight Valve for Gases w/ 19 9/16" Centerline to Flange, 4-Arm Handle, "GAS", "AIR" & "VAC" Press-In Indexes, Guide Flange w/ Mounting Screws, Universal Joint & 3/8" NPT Inlet & Outlet

**Product Compliance:**  
 ANSI Z21.15a / CSA 9.1a (Gas Valves)



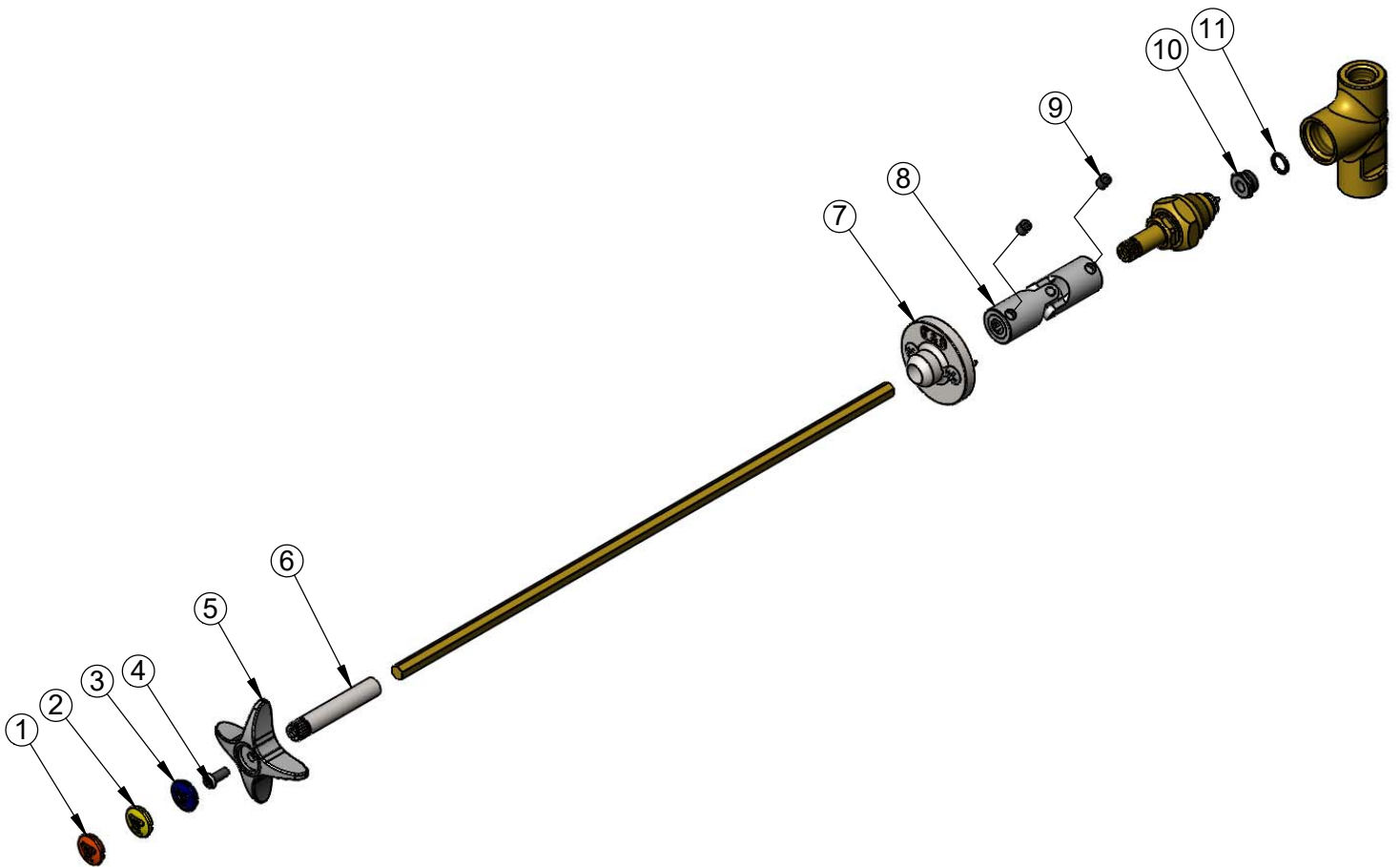
**T&S BRASS AND BRONZE WORKS, INC.**  
 2 Saddleback Cove / P.O. Box 1088  
 Travelers Rest, SC 29690

Model No.  
**BL-4710-01**

Item No.

Travelers Rest, SC: 800-476-4103 • Simi Valley, CA: 800-423-0150 • Fax: 864-834-3518 • www.tsbrass.com

ITEM NO.	SALES NO.	DESCRIPTION
1	209L-AIR-NS	Orange "AIR" Lab Button Index
2	209L-VAC-NS	Yellow "VAC" Lab Button Index
3	209L-GAS-NS	Dark Blue "GAS" Lab Button Index
4	000925-45	Lab Handle Screw
5	002521-45NS	4-Arm Handle (New Style)
6	000784-40	Broached Sleeve
7	BL-4740-01	Guide Flange w/ Mounting Screws
8	002336-20	Universal Joint, Remote Control Rod
9	000942-45	Set Screw, 1/4-20 UN
10	000529-20	Seat
11	001070-45	O-ring



**Product Specifications:**

Remote Control Straight Valve for Gases w/ 19 9/16" Centerline to Flange, 4-Arm Handle, "GAS", "AIR" & "VAC" Press-In Indexes, Guide Flange w/ Mounting Screws, Universal Joint & 3/8" NPT Inlet & Outlet

**Product Compliance:**

ANSI Z21.15a / CSA 9.1a (Gas Valves)