



T&S BRASS AND BRONZE WORKS, INC.
 2 Saddleback Cove / P.O. Box 1088
 Travelers Rest, SC 29690

Model No.
BL-4500-01

Item No.

Travelers Rest, SC: 800-476-4103 • Simi Valley, CA: 800-423-0150 • Fax: 864-834-3518 • www.tsbrass.com

This Space for Architect/Engineer Approval

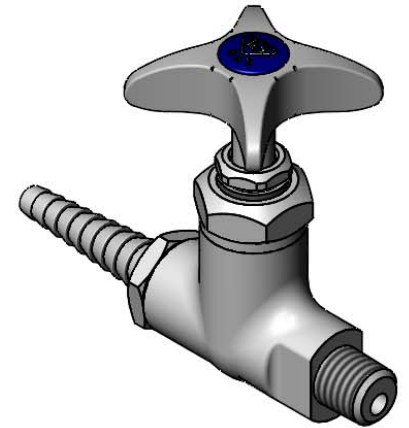
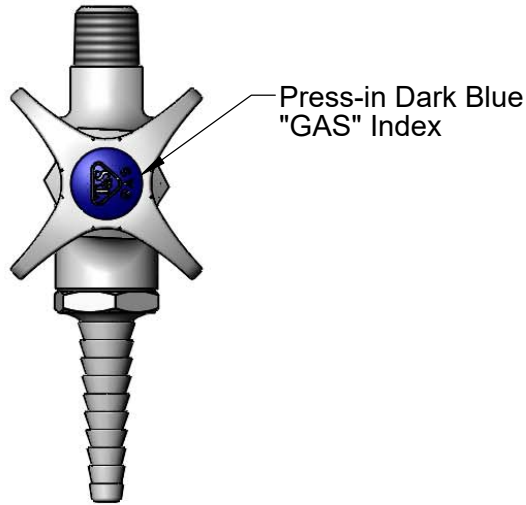
Job Name _____ Date _____

Model Specified _____ Quantity _____

Customer/Wholesaler _____

Contractor _____

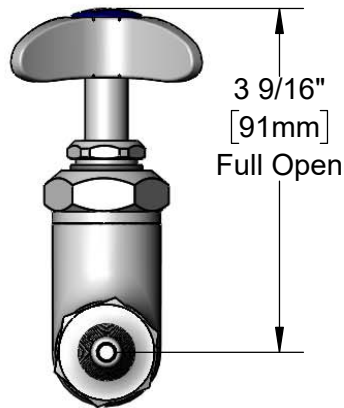
Architect/Engineer _____



209L-AIR-NS
 Index
 (Included)



209L-VAC-NS
 Index
 (Included)

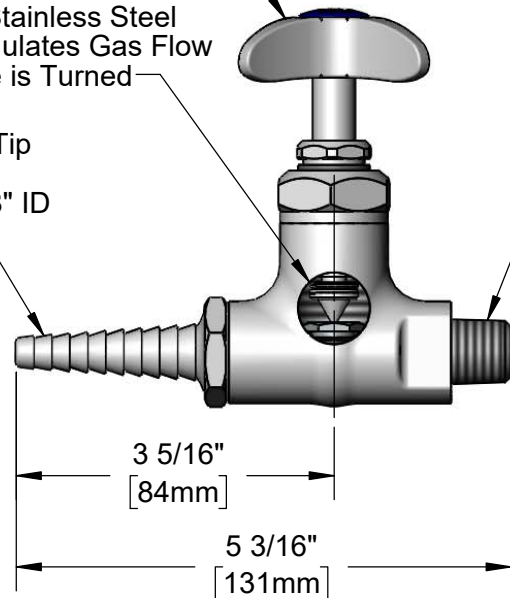


4-Arm Handle w/
 Color Coded Indexes

Floating Stainless Steel
 Cone Regulates Gas Flow
 as Handle is Turned

Serrated Tip
 Accepts
 1/4" to 3/8" ID
 Hoses

3/8" NPT
 Male Inlet



Notes:

1. Natural Gas Pressure: 0.5 PSIG Max. (For Natural Gas above 0.5 PSIG or Oxygen and Specialty Gases, use BL-4010-01 Gas Cock.)
2. Air Pressure: 125 PSIG Max.
3. Vacuum: 30 Inches of Mercury Max.
4. Temperature Range: 32 °F - 125 °F

Product Specifications:
 Straight Stop w/ "GAS," "AIR" & "VAC" Color Coded Indexes, 4-Arm Handle,
 Serrated Tip & 3/8" NPT Male Inlet

Product Compliance:
 ANSI Z21.15a / CSA 9.1a



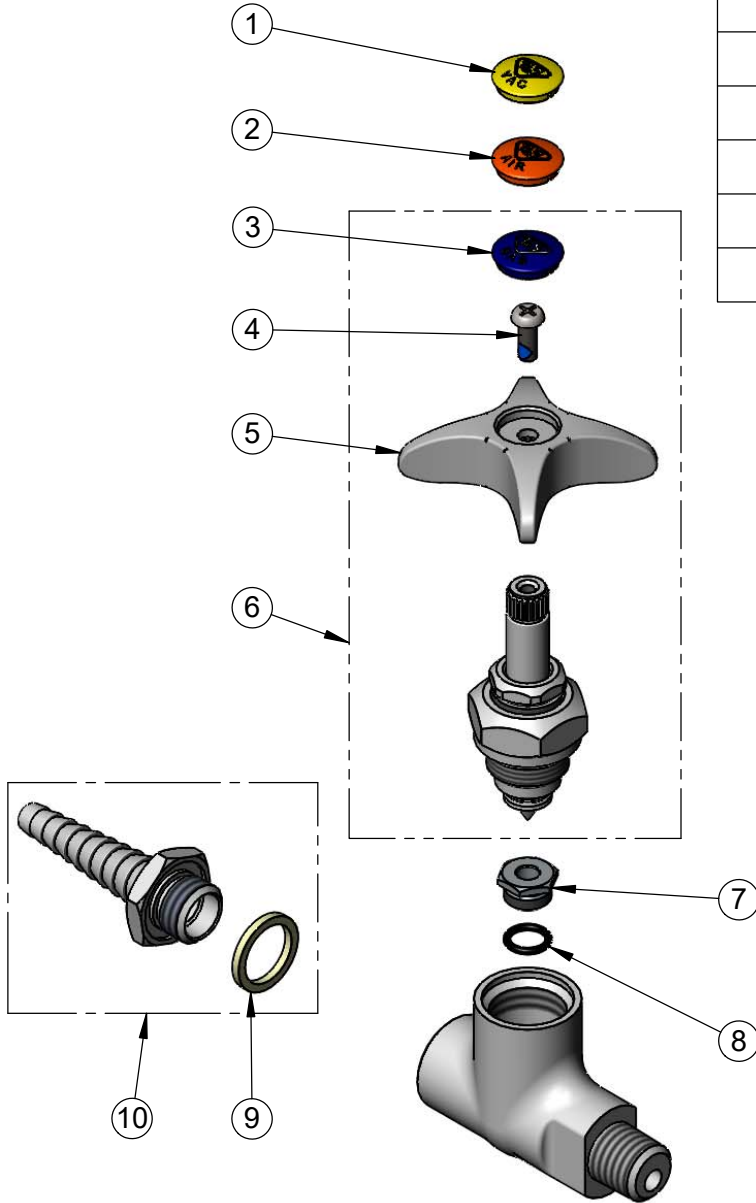
T&S BRASS AND BRONZE WORKS, INC.
 2 Saddleback Cove / P.O. Box 1088
 Travelers Rest, SC 29690

Model No.
BL-4500-01

Item No.

Travelers Rest, SC: 800-476-4103 • Simi Valley, CA: 800-423-0150 • Fax: 864-834-3518 • www.tsbrass.com

ITEM NO.	SALES NO.	DESCRIPTION
1	209L-VAC-NS	Yellow "VAC" Lab Button Index
2	209L-AIR-NS	Orange "AIR" Lab Button Index
3	209L-GAS-NS	Dark Blue "GAS" Lab Button Index
4	000925-45	Lab Handle Screw
5	002521-45NS	4-Arm Handle (New Style)
6	110A	Spindle, BL-4500-01
7	000529-20	Seat, BL-4500-01
8	001070-45	O-ring
9	001051-45	Washer
10	BL-5550-04	Serrated Tip



Product Specifications:
 Straight Stop w/ "GAS," "AIR" & "VAC" Color Coded Indexes, 4-Arm Handle,
 Serrated Tip & 3/8" NPT Male Inlet

Product Compliance:
 ANSI Z21.15a / CSA 9.1a