



T&S BRASS AND BRONZE WORKS, INC.

2 Saddleback Cove / P.O. Box 1088
Travelers Rest, SC 29690



REG. #A2601
ISO #9001

Model No.
BL-4305 SERIES

Item No.

Travelers Rest, SC: 800-476-4103 Simi Valley, CA: 800-423-0150 Fax: 864-834-3518 www.tsbrass.com

This Space for Architect/Engineer Approval

Job Name _____ Date _____

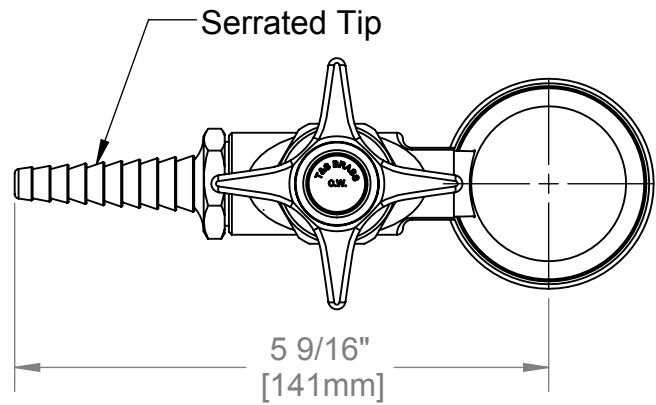
Model Specified _____ Quantity _____

Customer/Wholesaler _____

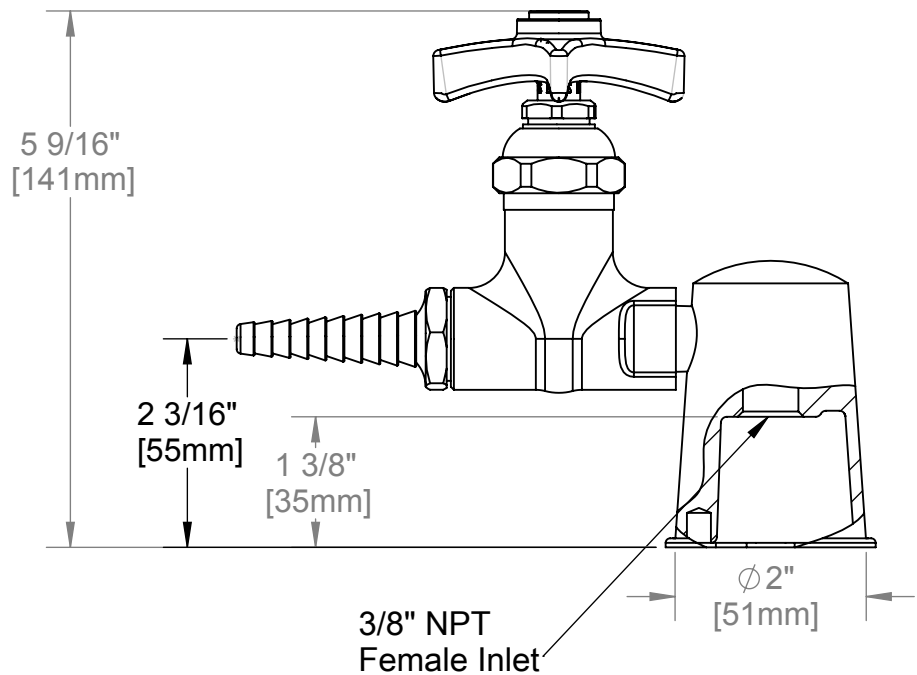
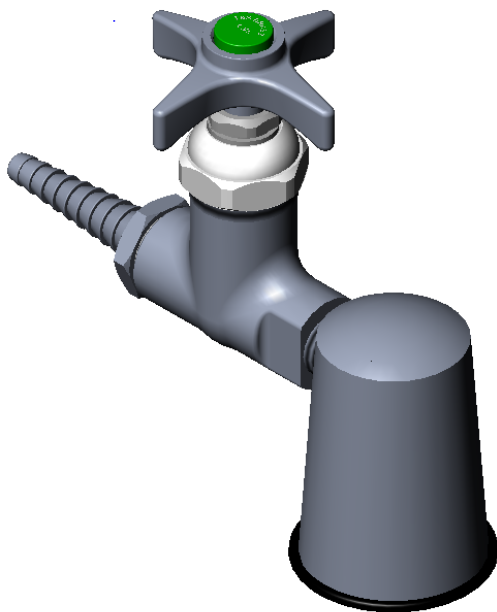
Contractor _____

Architect/Engineer _____

BL-4305-0	Turret w/ (2) Water Stops @ 90°
BL-4305-01	Turret w/ (1) Water Stop
BL-4305-02	Turret w/ (2) Water Stops @ 180°



BL-4305-01 SHOWN



Product Specifications:
Laboratory Turret With Water Stop(s)

Drawn ARH	Checked JRM	Approved JHB
Scale: 1:2	Date: 01/10/07	



T&S BRASS AND BRONZE WORKS, INC.

2 Saddleback Cove / P.O. Box 1088
Travelers Rest, SC 29690



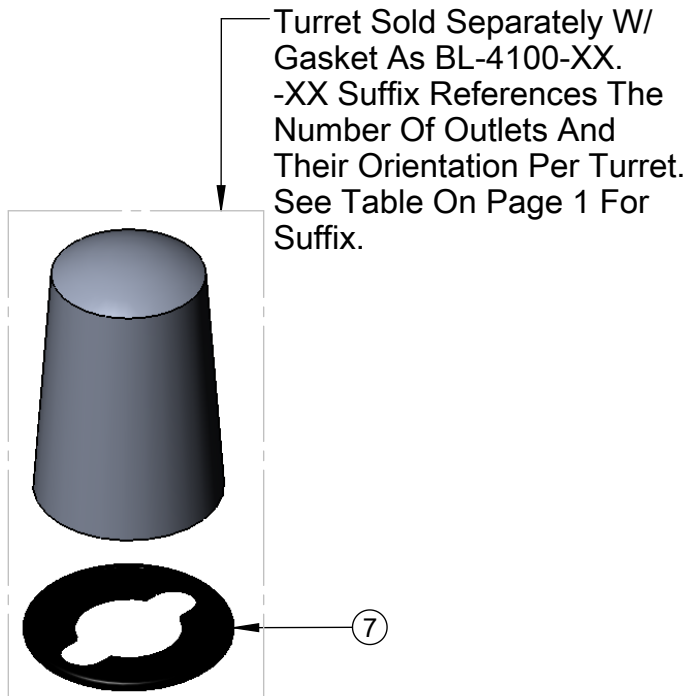
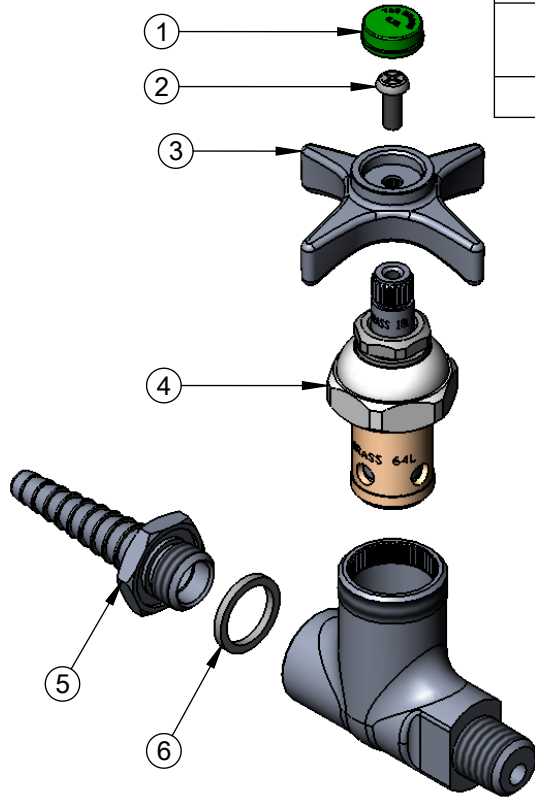
REG. #A2601
ISO #9001

Model No.
BL-4305 SERIES

Item No.

Travelers Rest, SC: 800-476-4103 Simi Valley, CA: 800-423-0150 Fax: 864-834-3518 www.tsbrass.com

ITEM NO.	SALES NO.	Description
1	001191-45	Cap, Index, Green, Cold Water
2	000925-45	Lab Handle Screw
3	000059-40	4-Arm Lab Handle
4	005960-40	Eterna Ctg
5	001658-40	Hose End, Serrated, Brass, PLTD
6	009641-45	Washer, 7/8" OD X 11/16ID X 3/32THK
7	001158-45	Gasket, Polypropylene, Black



Product Specifications:

Laboratory Turret With Water Stop(s)

Drawn ARH	Checked JRM	Approved JHB
Scale: 1:2		Date: 01/10/07