



**T&S BRASS AND BRONZE WORKS, INC.**

2 Saddleback Cove / P.O. Box 1088  
Travelers Rest, SC 29690



REG. #A2601  
ISO #9001

Model No.

**BL-4300 SERIES**

Item No.

Travelers Rest, SC: 800-476-4103 Simi Valley, CA: 800-423-0150 Fax: 864-834-3518 www.tsbrass.com

This Space for Architect/Engineer Approval

Job Name \_\_\_\_\_ Date \_\_\_\_\_

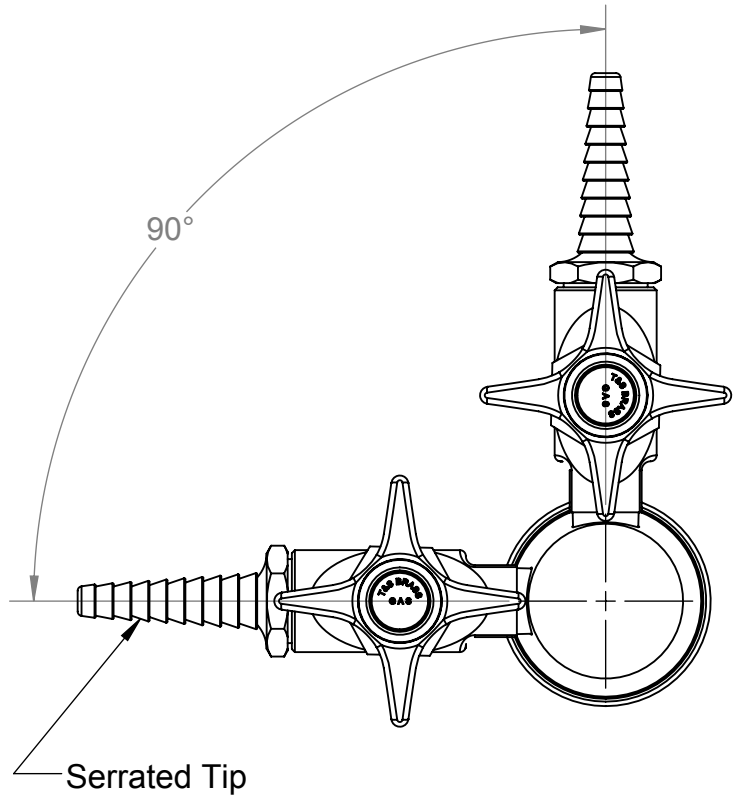
Model Specified \_\_\_\_\_ Quantity \_\_\_\_\_

Customer/Wholesaler \_\_\_\_\_

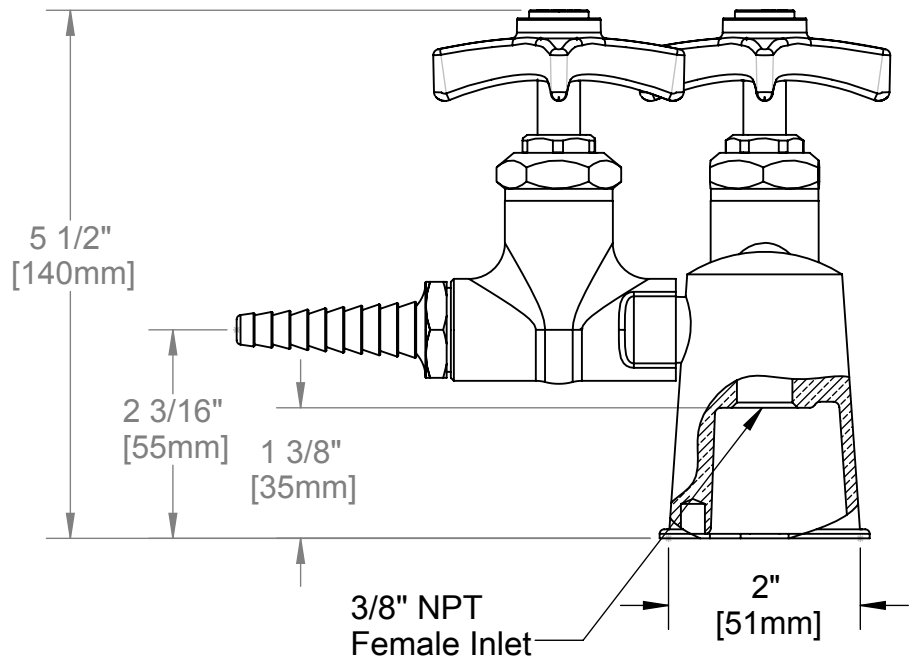
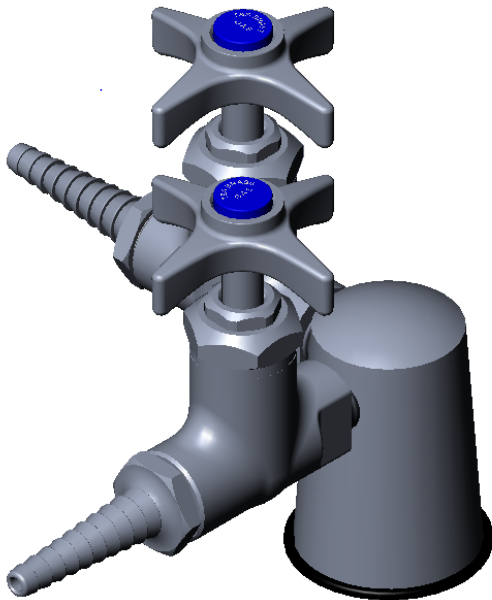
Contractor \_\_\_\_\_

Architect/Engineer \_\_\_\_\_

BL-4300-0	Turret w/ (2) Gas Stops @ 90°
BL-4300-01	Turret w/ (1) Gas Stop
BL-4300-02	Turret w/ (2) Gas Stops @ 180°
BL-4300-04	Turret w/ (4) Gas Stops @ 90°



**BL-4300-0 SHOWN**



Product Specifications:  
**Laboratory Turret with Gas Stop(s)**

Drawn DHL	Checked JRM	Approved JHB
Scale: 1:2		Date: 1/12/2007



**T&S BRASS AND BRONZE WORKS, INC.**

2 Saddleback Cove / P.O. Box 1088  
Travelers Rest, SC 29690



REG. #A2601  
ISO #9001

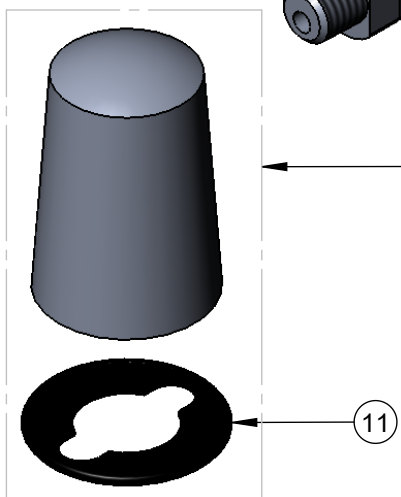
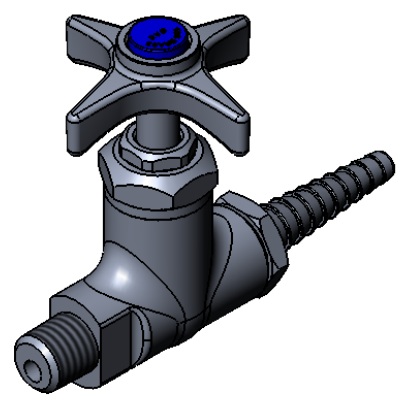
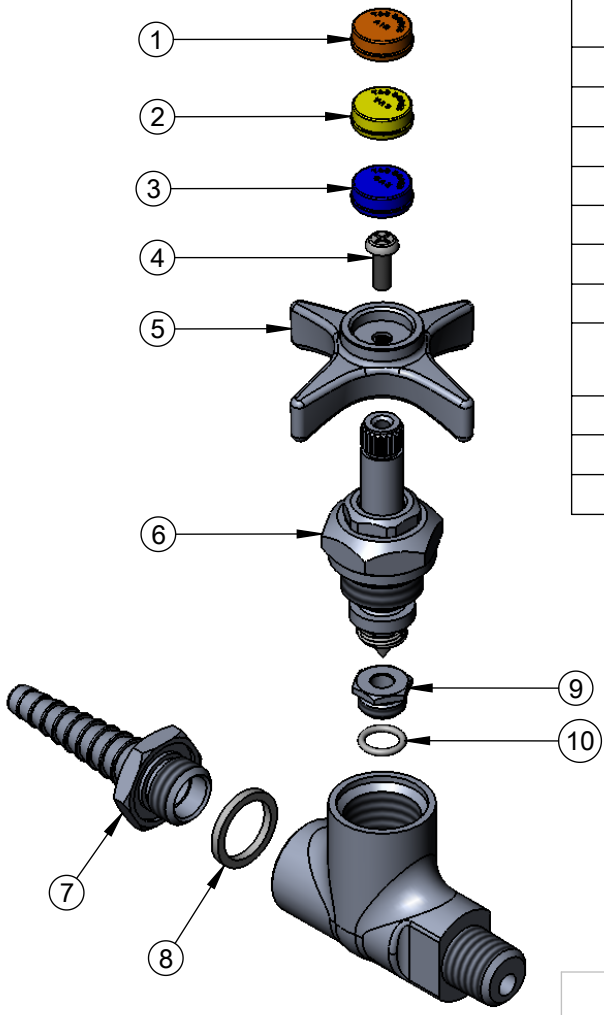
Model No.

**BL-4300 SERIES**

Item No.

Travelers Rest, SC: 800-476-4103 Simi Valley, CA: 800-423-0150 Fax: 864-834-3518 www.tsbrass.com

ITEM NO.	SALES NO.	DESCRIPTION
1	001203-45	Cap, Index, Orange, Air
2	001200-45	Cap, Index, Yellow, Vacuum
3	001197-45	Cap, Index, Blue Gas
4	000925-45	Lab Handle Screw
5	000059-40	4-Arm Lab Handle
6	005975-40	Spindle Assembly, BL-4500-01
7	001658-40	Hose End, Serrated, Brass, PLTD
8	009641-45	Washer, 7/8" OD X 11/16ID X 3/32THK
9	000529-40	Seat, BL-4500-01
10	006574-45	O-ring, 0.364 ID X .070 WT
11	001158-45	Gasket, Polypropylene, Black



Turret Sold Separately w/  
Gasket as BL-4100-XX.  
-XX Suffix References the  
Number of Outlets and  
Their Orientation per Turret.  
See Table on Page 1 for  
Suffix.

Product Specifications:

**Laboratory Turret with  
Gas Stop(s)**

Drawn <b>DHL</b>	Checked <b>JRM</b>	Approved <b>JHB</b>
Scale: <b>1:2</b>		Date: <b>1/12/2007</b>