



T&S BRASS AND BRONZE WORKS, INC.

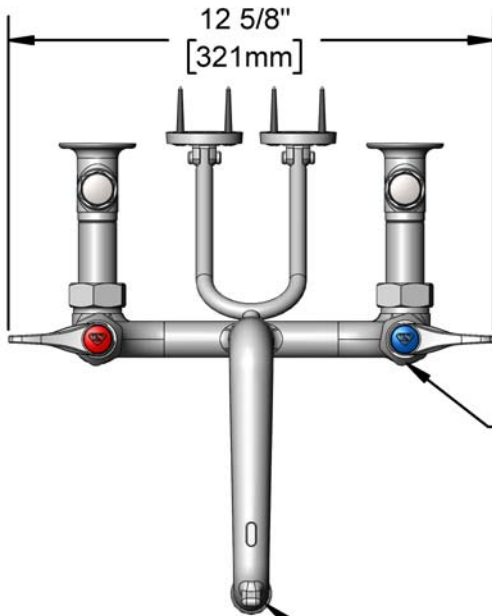
2 Saddleback Cove / P.O. Box 1088
Travelers Rest, SC 29690

Model No.

B-0651-RGH

Item No.

Travelers Rest, SC: 800-476-4103 • Simi Valley, CA: 800-423-0150 • Fax: 864-834-3518 • www.tsbrass.com




ADA Compliant

This Space for Architect/Engineer Approval

Job Name _____ Date _____

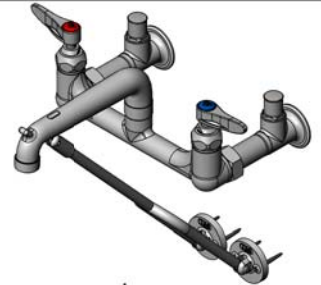
Model Specified _____ Quantity _____

Customer/Wholesaler _____

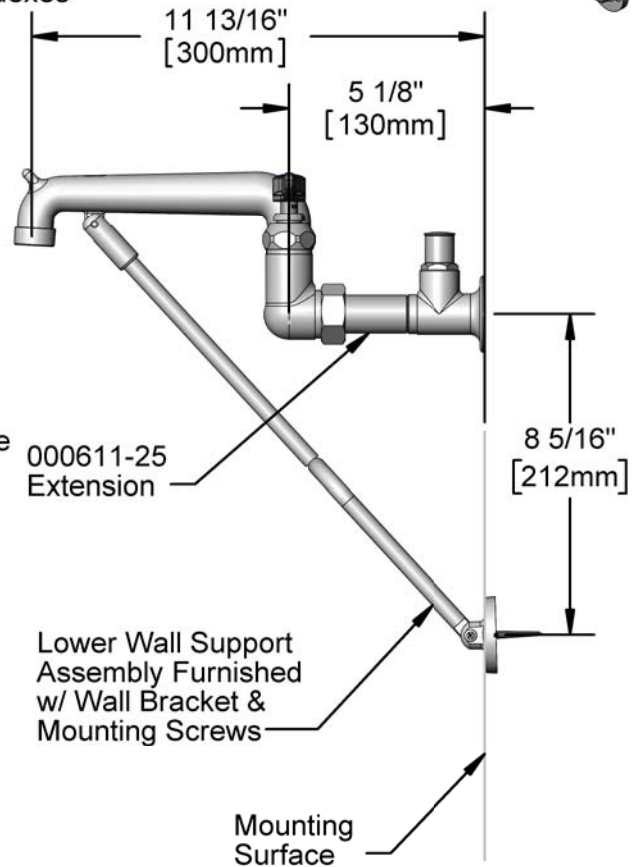
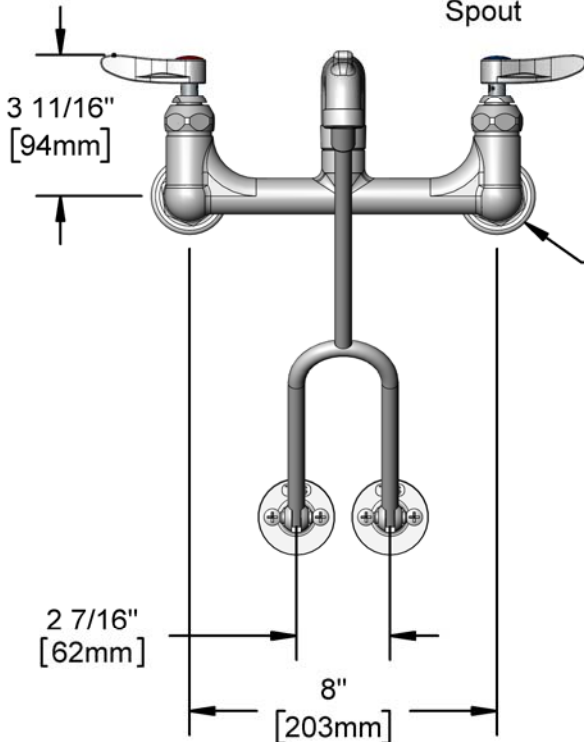
Contractor _____

Architect/Engineer _____

Quarter-Turn
Eterna Cartridges w/
Spring Checks &
Lever Handles w/
Color Coded Indexes



Plain End
Spout



Ø2" [51mm]
Flange w/
1/2" NPT Female
Thread Inlets

000611-25
Extension

Lower Wall Support
Assembly Furnished
w/ Wall Bracket &
Mounting Screws

Mounting
Surface

Product Specifications:

8" Wall Support Service Sink, Quarter-Turn Eterna Cartridges w/ Spring Checks, Rough Chrome Finish, Lever Handles, Lower Support Rod, 1/2" NPT Female Extended Inlets w/ Integral Stops & Plain End Outlet

Product Compliance:

ASME A112.18.1 / CSA B125.1
NSF 61 - Section 9
NSF 372 (Low Lead Content)
ANSI A117.1 (ADA)



T&S BRASS AND BRONZE WORKS, INC.

2 Saddleback Cove / P.O. Box 1088
Travelers Rest, SC 29690

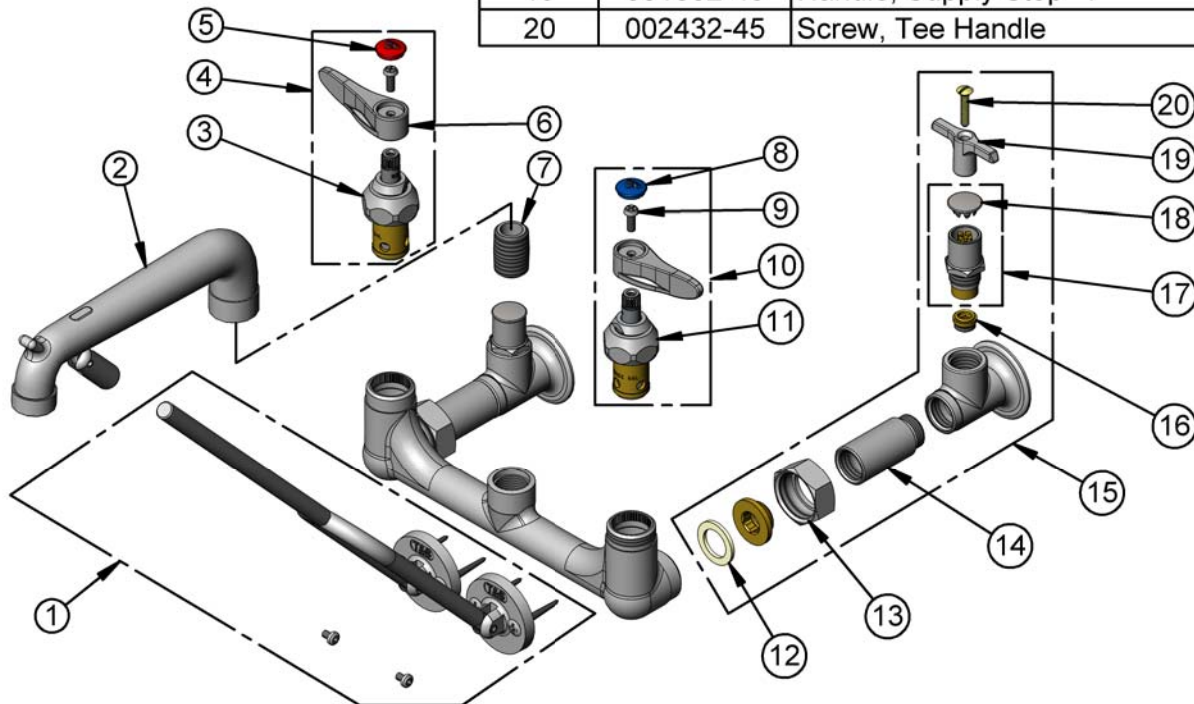
Model No.

B-0651-RGH

Item No.

Travelers Rest, SC: 800-476-4103 • Simi Valley, CA: 800-423-0150 • Fax: 864-834-3518 • www.tsbrass.com

| ITEM NO. | SALES NO. | DESCRIPTION |
|----------|-------------|--|
| 1 | 009616-40 | Lower Support Rod Assembly w/ Mounting Screws |
| 2 | 016844-25 | Spout, B-0650 Chrome Polished |
| 3 | 012443-40NS | Quarter-Turn Eterna Cartridge w/ Spring Check, RTC |
| 4 | 002712-40NS | Quarter-Turn Eterna Cartridge w/ Spring Check, Handle, Red Index & Screw, RTC |
| 5 | 001193-19NS | Red Button Index, Press-in |
| 6 | 001638-45NS | Lever Handle (New Style) |
| 7 | 002534-25 | Close Nipple, 1/2" NPT |
| 8 | 018506-19NS | Blue Button Index, Press-in |
| 9 | 000925-45 | Lab Handle Screw |
| 10 | 002711-40NS | Quarter-Turn Eterna Cartridge w/ Spring Check, Handle, Blue Index & Screw, LTC |
| 11 | 012442-40NS | Quarter-Turn Eterna Cartridge w/ Spring Check, LTC |
| 12 | 001019-45 | Coupling Nut Washer |
| 13 | 000721-25 | Flange Coupling Nut |
| 14 | 000611-25 | Extension, 1 3/4" Long |
| 15 | 00JJ-XT-RGH | 1/2" NPT Female Inlet w/ Loose Key & Extension - Rough Chrome |
| 16 | 000763-20 | Seat |
| 17 | 002892-40 | Spindle Asm w/ Cap |
| 18 | 001605-45 | Cap |
| 19 | 001802-45 | Handle, Supply Stop "T" |
| 20 | 002432-45 | Screw, Tee Handle |



Product Specifications:

8" Wall Support Service Sink, Quarter-Turn Eterna Cartridges w/ Spring Checks, Rough Chrome Finish, Lever Handles, Lower Support Rod, 1/2" NPT Female Extended Inlets w/ Integral Stops & Plain End Outlet

Product Compliance:

ASME A112.18.1 / CSA B125.1
NSF 61 - Section 9
NSF 372 (Low Lead Content)
ANSI A117.1 (ADA)