



**T&S BRASS AND BRONZE WORKS, INC.**  
 2 SADDLEBACK COVE / P.O. BOX 1088 / TRAVELERS REST, SC 29690  
 PHONE 800-476-4103 - FAX 864- 834-3518



Model No.

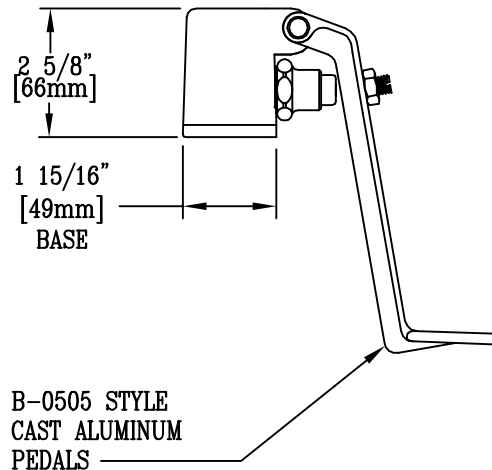
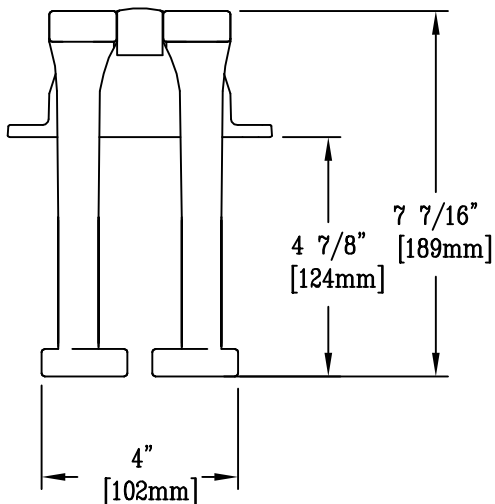
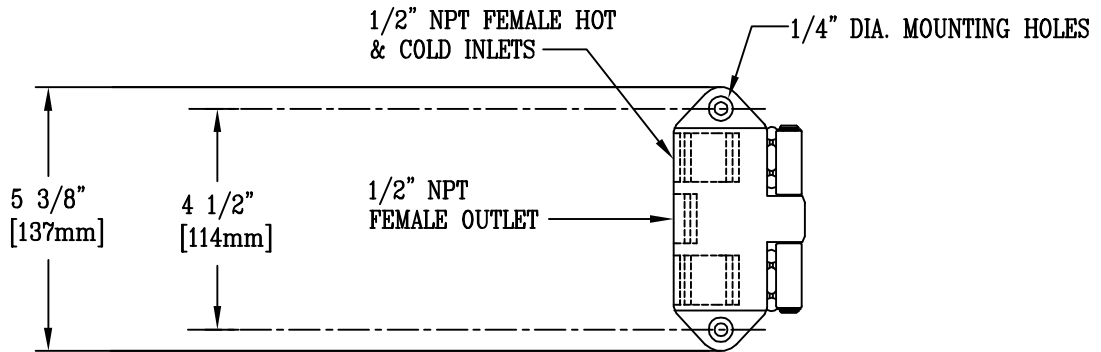
B-0503

RELIABILITY  
BUILT IN

Job Name:

Architect/Engineer Approval:

Notes:



Product Description:

B-0502 DOUBLE PEDAL VALVE WITH  
B-0505 STYLE PEDALS

Drawn:

WJS

Approved

MVW

Checked

JKD

Scale:

1 : 4

Date:

9-25-01