



T&S BRASS AND BRONZE WORKS, INC.

2 Saddleback Cove / P.O. Box 1088
Travelers Rest, SC 29690

Model No.

B-0205-LN

Item No.

Travelers Rest, SC: 800-476-4103 • Simi Valley, CA: 800-423-0150 • Fax: 864-834-3518 • www.tsbrass.com



ADA Compliant

This Space for Architect/Engineer Approval

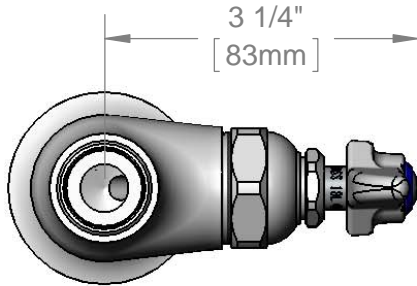
Job Name _____ Date _____

Model Specified _____ Quantity _____

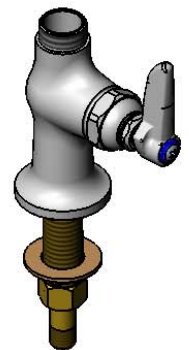
Customer/Wholesaler _____

Contractor _____

Architect/Engineer _____

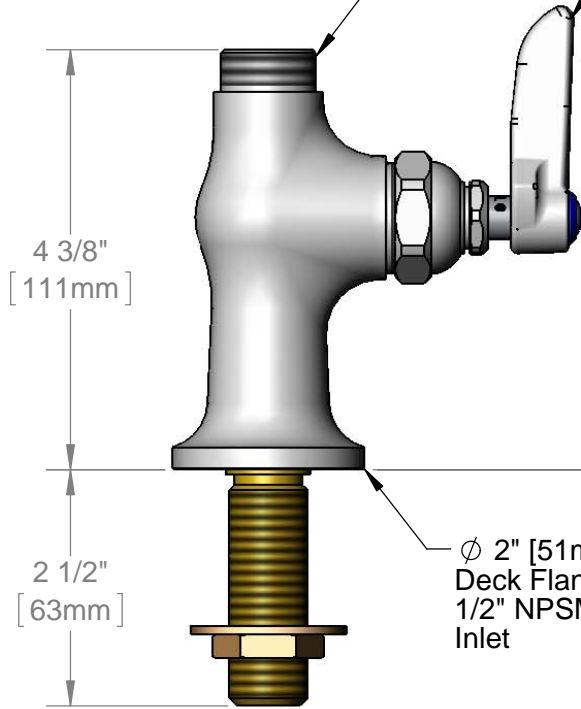


3 1/4"
[83mm]



Swivel Outlet Accepts
Standard T&S Swing Nozzles

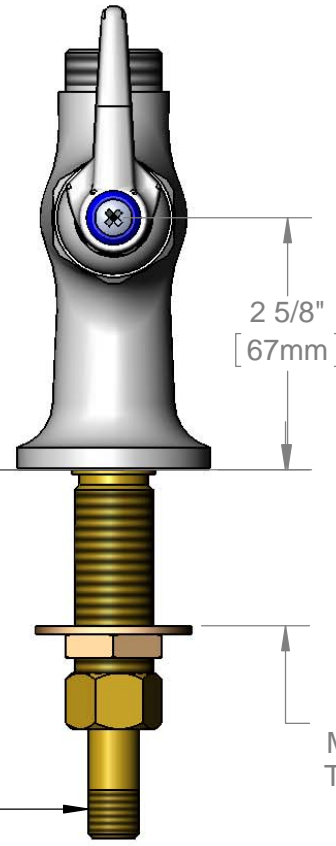
Eterna Cartridge &
Lever Handle w/ Blue
Color Coded Index



4 3/8"
[111mm]

2 1/2"
[63mm]

Ø 2" [51mm]
Deck Flange w/
1/2" NPSM Male
Inlet



2 5/8"
[67mm]

1 5/8"
[41mm]
Maximum
Thickness

150A
Optional Tailpiece and Nut
For 1/4" NPT Connection
(Included)

Rough-In Requirement:
(2) Ø 1" [25mm] Mounting Holes

Product Specifications:

Single Hole Single Temperature Deck Mount Faucet, Eterna Cartridge, Lever Handle & 1/2" NPSM Male Inlet, Less Nozzle

Product Compliance:

ASME A112.18.1 / CSA B125.1
NSF 61 - Section 9
NSF 372 (Low Lead Content)
ANSI A117.1 (ADA)



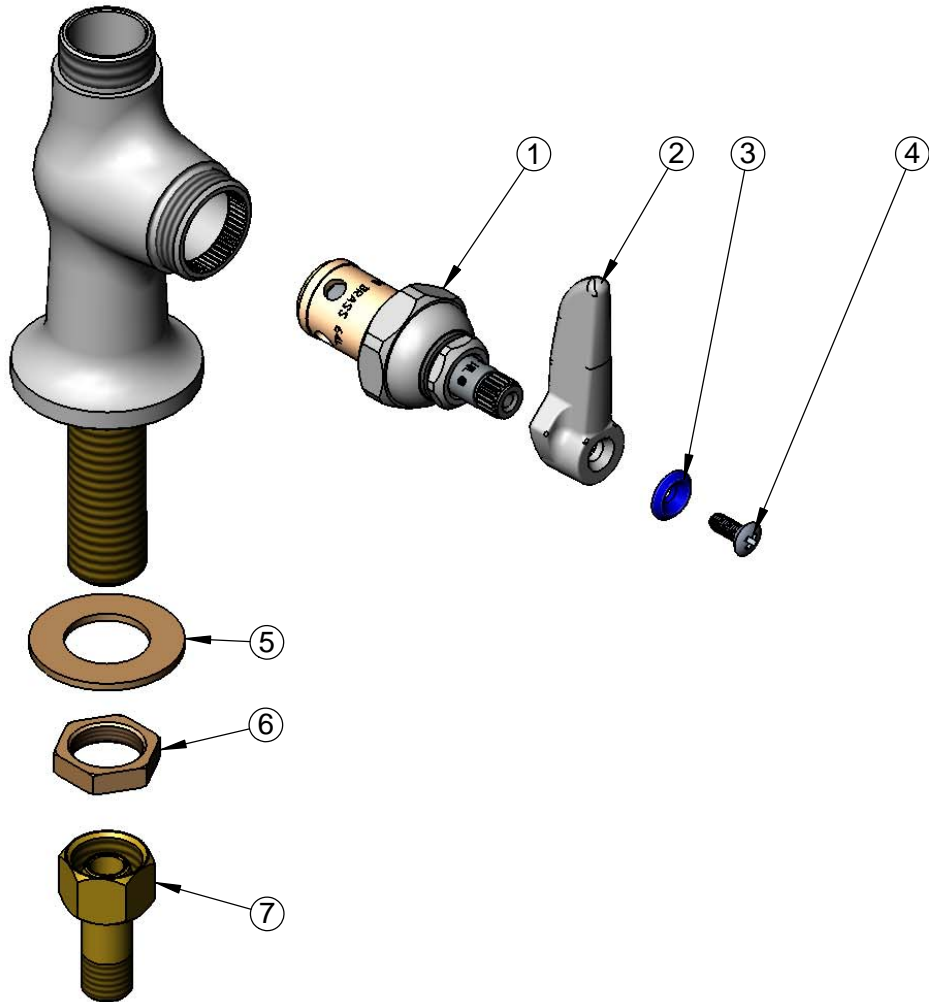
T&S BRASS AND BRONZE WORKS, INC.
 2 Saddleback Cove / P.O. Box 1088
 Travelers Rest, SC 29690

Model No.
B-0205-LN

Item No.

Travelers Rest, SC: 800-476-4103 • Simi Valley, CA: 800-423-0150 • Fax: 864-834-3518 • www.tsbrass.com

| ITEM NO. | SALES NO. | DESCRIPTION |
|----------|-----------|--------------------------|
| 1 | 005960-40 | Eterna Cartridge, RTC |
| 2 | 001638-45 | Lever Handle |
| 3 | 001660-45 | Blue Index-CW |
| 4 | 000922-45 | Lever Handle Screw |
| 5 | 000999-45 | Brass Lock Washer |
| 6 | 002954-45 | Shank Lock Nut |
| 7 | 150A | 1/4" NPT Tailpiece & Nut |



Product Specifications:

Single Hole Single Temperature Deck Mount Faucet, Eterna Cartridge, Lever Handle & 1/2" NPSM Male Inlet, Less Nozzle

Product Compliance:

ASME A112.18.1 / CSA B125.1
 NSF 61 - Section 9
 NSF 372 (Low Lead Content)
 ANSI A117.1 (ADA)