



# T&S BRASS AND BRONZE WORKS, INC.

2 Saddleback Cove / P.O. Box 1088  
Travelers Rest, SC 29690

Model No.

**B-0129**

Item No.

Travelers Rest, SC: 800-476-4103 • Simi Valley, CA: 800-423-0150 • Fax: 864-834-3518 • www.tsbrass.com

This Space for Architect/Engineer Approval

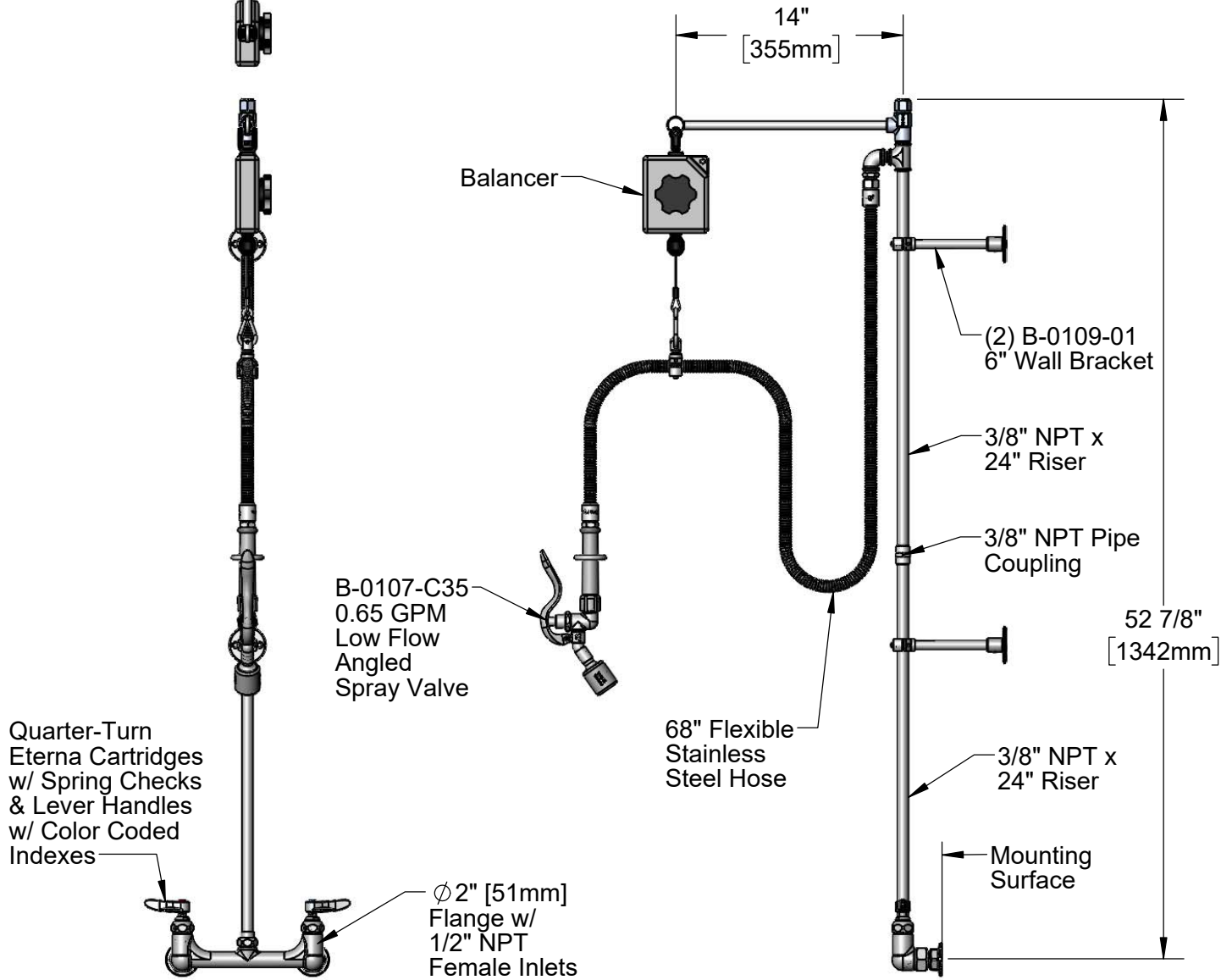
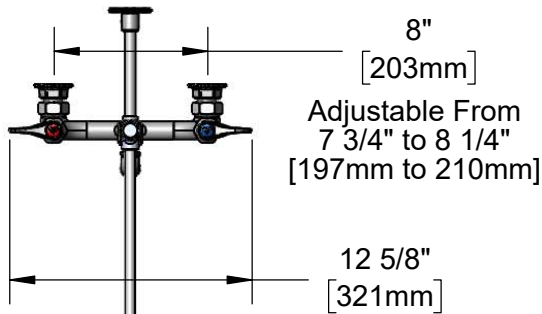
Job Name \_\_\_\_\_ Date \_\_\_\_\_

Model Specified \_\_\_\_\_ Quantity \_\_\_\_\_

Customer/Wholesaler \_\_\_\_\_

Contractor \_\_\_\_\_

Architect/Engineer \_\_\_\_\_



### Product Specifications:

Pre-Rinse Unit: 8" Wall Mount Mixing Faucet, Quarter-Turn Eterna Cartridges w/ Spring Checks, Lever Handles, 68" Flexible Stainless Steel Hose, 0.65 GPM Low Flow Angled Spray Valve, Balancer, Extension Arm, (2) 6" Wall Brackets & 1/2" NPT Female Inlets

### Product Compliance:

ASME A112.18.1 / CSA B125.1  
NSF 61 - Section 9  
NSF 372 (Low Lead Content)  
2019 DOE PRSV - Class I



# T&S BRASS AND BRONZE WORKS, INC.

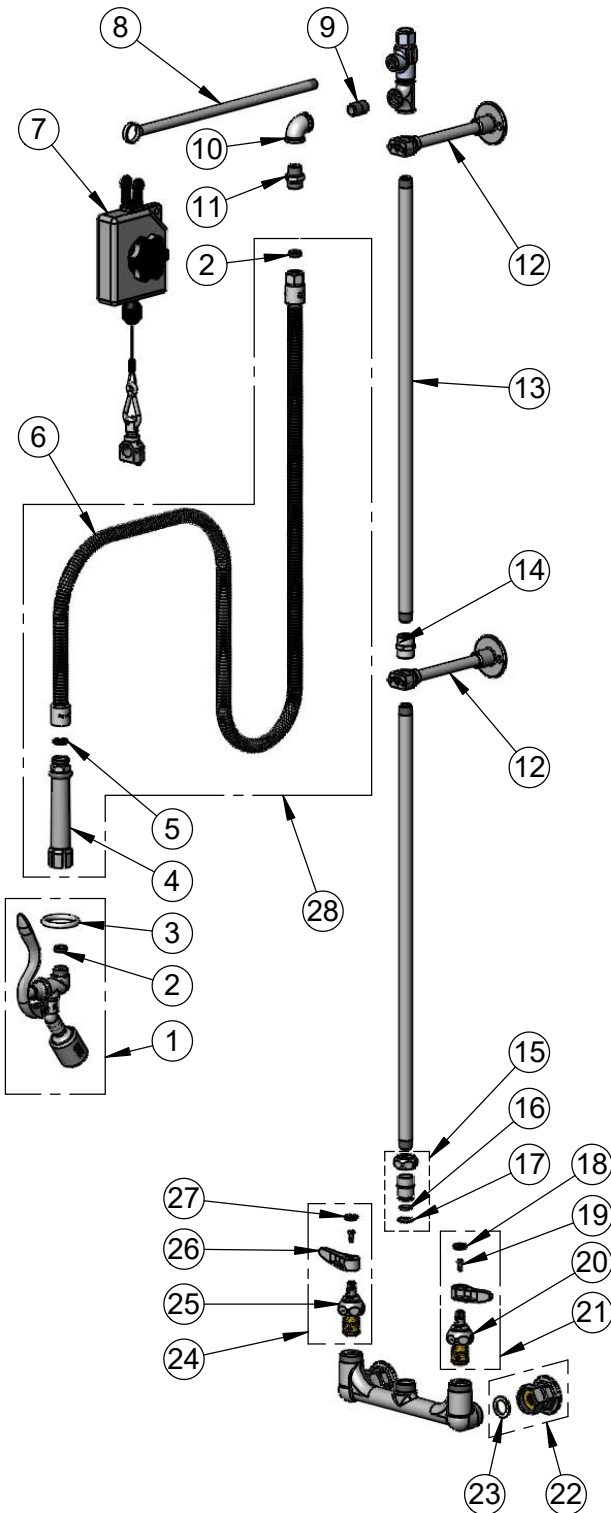
2 Saddleback Cove / P.O. Box 1088  
Travelers Rest, SC 29690

Model No.

**B-0129**

Item No.

Travelers Rest, SC: 800-476-4103 • Simi Valley, CA: 800-423-0150 • Fax: 864-834-3518 • www.tsbrass.com



ITEM NO.	SALES NO.	DESCRIPTION
1	B-0107-C35	0.65 GPM Low Flow Angled Spray Valve
2	010476-45	#27 Washer
3	000907-45	Spray Valve Hold Down Ring
4	002987-40	Grip Handle
5	001014-45	Washer, B-0100 Hose Barrel
6	B-0068-H2A	68" Flexible Stainless Steel Hose, Less Handle
7	005311-40	Balancer
8	005252-20	Extension Arm, Chrome Plated
9	002535-25	3/8" Close Nipple
10	001355-40	Elbow, 3/8 NPT
11	053A	Adapter, 3/8" NPT Male
12	B-0109-01	6" Wall Bracket
13	000372-40	3/8" NPT x 24" Riser
14	001769-40	Coupling, 3/8" NPT
15	EZ-K	EasyInstall Kit
16	001065-45	O-Ring
17	014200-45	Star Washer, Anti-Rotation
18	018506-19NS	Blue Button Index, Press-in
19	000925-45	Lab Handle Screw
20	002711-40NS	Quarter-Turn Eterna Cartridge w/ Spring Check, LTC
21	012442-40NS	Quarter-Turn Eterna Cartridge w/ Spring Check, Handle, Blue Index & Screw, LTC
22	00AA	1/2" NPT Female Eccentric Flange
23	001019-45	Coupling Nut Washer
24	002712-40NS	Quarter-Turn Eterna Cartridge w/ Spring Check, Handle, Red Index & Screw, RTC
25	0124423-40NS	Quarter-Turn Eterna Cartridge w/ Spring Check, RTC
26	001638-45NS	Lever Handle (New Style)
27	001193-19NS	Red Button Index, Press-in
28	B-0068-H	68" Flexible Stainless Steel Hose

**Product Specifications:**

Pre-Rinse Unit: 8" Wall Mount Mixing Faucet, Quarter-Turn Eterna Cartridges w/ Spring Checks, Lever Handles, 68" Flexible Stainless Steel Hose, 0.65 GPM Low Flow Angled Spray Valve, Balancer, Extension Arm, (2) 6" Wall Brackets & 1/2" NPT Female Inlets

**Product Compliance:**

ASME A112.18.1 / CSA B125.1  
NSF 61 - Section 9  
NSF 372 (Low Lead Content)  
2019 DOE PRSV - Class I