

# Stainless Steel Utility Carts

Heavy Duty - 700 Lb Capacity



Model 744

**Angled “U” shaped steel frame provides the strength needed for heavy duty jobs.**

- Rugged 18 gauge reinforced stainless steel shelves are stain and rust resistant. Electronically welded for added strength.
- Easy to clean and sanitize, simply wipe down or steam clean.
- Leg and handle bumpers protect walls and furniture.
- NSF listed models available.
- 700 lb. (300 kg) capacity is ideal for continuous moving of heavy loads over various standard floor surfaces.



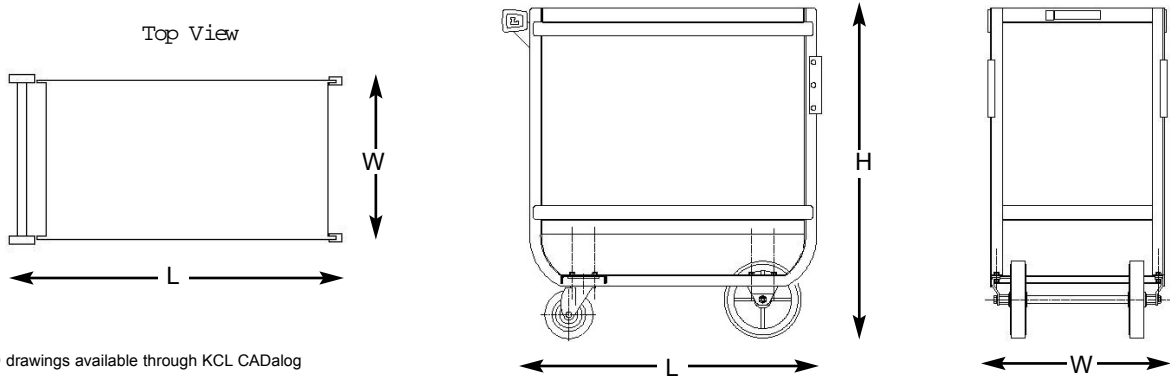
**LAKESIDE**

Lakeside Manufacturing, Inc.

4900 West Electric Avenue • West Milwaukee, WI 53219 U.S.A.  
800-558-8565 • 414-902-6400 • Fax 414-902-6446 • www.eLakeside.com

# Stainless Steel Utility Carts

Heavy Duty - 700 Lb Capacity



AutoCAD drawings available through KCL CADalog

## Dimensions

Model	NSF Listed Model	Shelf Description			Overall Size			Case Weight	
		# of	Size	Clearance	L	W	H	lbs.	(kg.)
710	510	2	15-1/2" x 24" (394 x 610)	19" (483)	30" (762)	16-1/4" (413)	34-1/4" (870)	49	(22.2)
711	511	3	15-1/2" x 24" (394 x 610)	10" (254)	30" (762)	16-1/4" (413)	34-1/4" (870)	57	(25.9)
721	521	2	18" x 27" (457 x 686)	19" (483)	32-5/8" (829)	19-3/8" (492)	34-1/2" (876)	53	(24)
722	522	3	18" x 27" (457 x 686)	10" (254)	32-5/8" (829)	19-3/8" (492)	34-1/2" (876)	63	(28.6)
743	543	2	21" x 33" (533 x 838)	21" (533)	38-5/8" (981)	22-3/8" (568)	37-1/8" (943)	64	(29)
744	544	3	21" x 33" (533 x 838)	11-3/8" (289)	38-5/8" (981)	22-3/8" (568)	37-1/8" (943)	78	(35.4)
758	558	2	21" x 49" (533 x 1245)	21" (533)	54-5/8" (1387)	22-3/8" (568)	37" (940)	87	(39.5)
759	559	3	21" x 49" (533 x 1245)	11-3/8" (289)	54-5/8" (1387)	22-3/8" (568)	37" (940)	108	(49)

Measurements in ( ) denote metric millimeters, unless otherwise specified.

## Specifications

Unit shall be of fully welded stainless steel construction. Legs and frame shall be of U-frame design, eliminating the need for corner reinforcements. Leg/frame shall be .120 x 1" x 1" angle stainless steel. Shelves shall be of 18-gauge stainless steel and shall be welded to vertical leg frames. Shelves shall be double hemmed on all four edges for extra rigidity. Unit shall have two each 5" (127 mm) diameter extra-load swivel casters with 1-1/4" (32 mm) wide non-marking polyurethane wheels, and two each 8" diameter extra-load wheels mounted to a fixed axle. Swivel casters shall be plate type and shall be bolted to an 18-gauge 5" (127 mm) wide stainless steel cross member with a galvanized reinforcement. Unit shall have push handle made of 18 gauge 1" O.D. stainless steel tubing. Handle mounting brackets shall be welded to vertical leg frame. Unit shall have two each bumpers mounted to handle ends and two each 6" (152 mm) vertical bumpers riveted to front legs.

### Optional Accessories

- Extended perimeter bumper
- All 5" swivel casters
- Set of 2 each 5" brake casters



Lakeside Manufacturing, Inc.

4900 West Electric Avenue • West Milwaukee, WI 53219 U.S.A.

800-558-8565 • 414-902-6400 • Fax 414-902-6446 • www.eLakeside.com