



T&S BRASS AND BRONZE WORKS, INC.

2 Saddleback Cove / P.O. Box 1088
Travelers Rest, SC 29690

Model No.

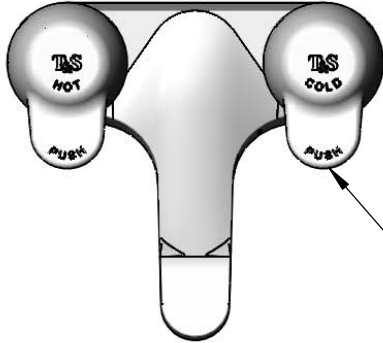
B-0831-02VR-PA

Item No.

Travelers Rest, SC: 800-476-4103 • Simi Valley, CA: 800-423-0150 • Fax: 864-834-3518 • www.tsbrass.com



ADA Compliant



Pivot Action Metering Cartridges
w/ Hot & Cold Handles and
Vandal Resistant Screws
(Spanner Bit Included)

This Space for Architect/Engineer Approval

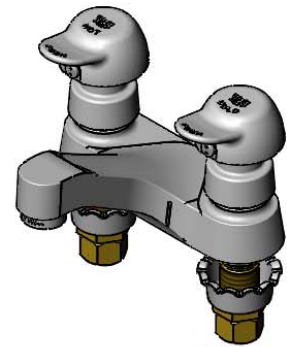
Job Name _____ Date _____

Model Specified _____ Quantity _____

Customer/Wholesaler _____

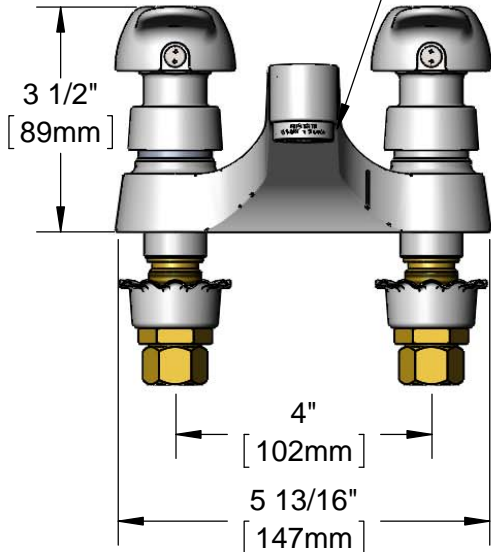
Contractor _____

Architect/Engineer _____

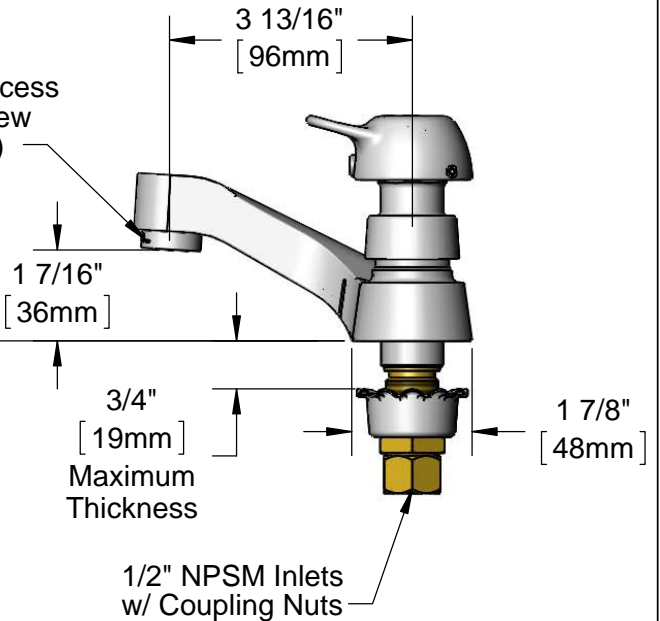


B-0199-08-N05
Vandal Resistant 0.5 GPM
Non-Aerated Spray Device

Loosen Vandal Resistant
Screw (Do Not Remove)
and Flip Handle Up to Access
Metering Adjustment Screw
(Requires 3/32" Hex Key)



Mounting
Surface



Rough-In Requirement:
(2) ϕ 1 1/8" [29mm] Mounting Holes

Furnished w/ Spanner
Bit for Vandal Resistant Screw



Product Specifications:

4" Centerset Deck Mount Mixing Faucet, Pivot Action Metering Cartridges,
Vandal Resistant 0.5 GPM Non-Aerated Spray Device and 1/2" NPSM
Male Inlets w/ Coupling Nuts

Product Compliance:

ASME A112.18.1 / CSA B125.1
NSF 61 - Section 9
NSF 372 (Low Lead Content)
ANSI A117.1 (ADA)



T&S BRASS AND BRONZE WORKS, INC.

2 Saddleback Cove / P.O. Box 1088
Travelers Rest, SC 29690

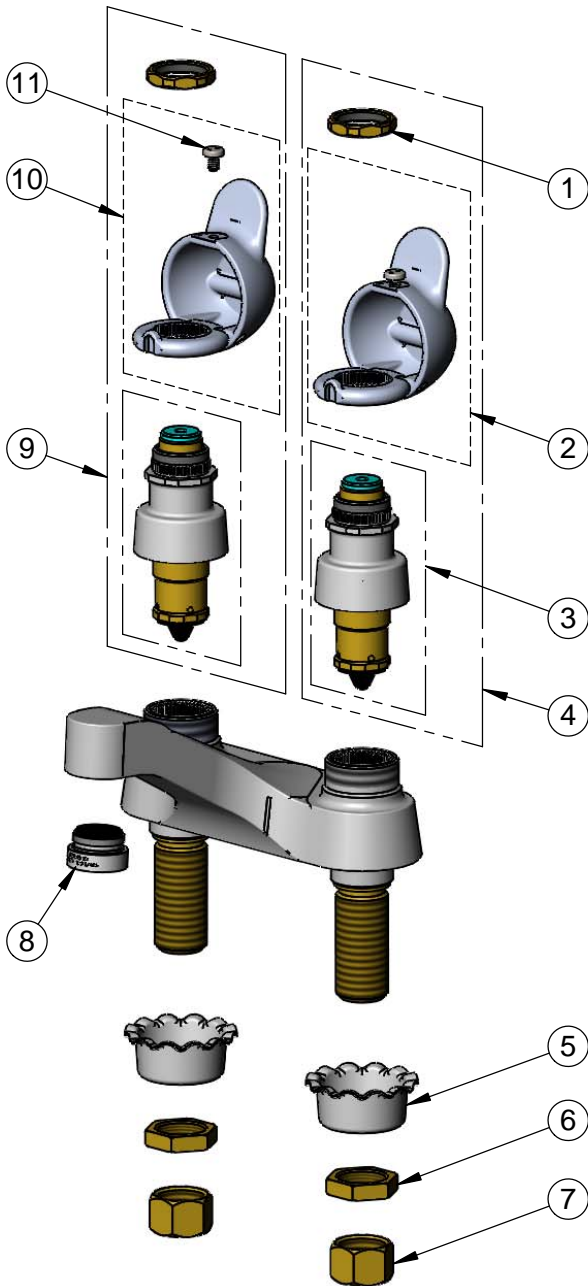
Model No.

B-0831-02VR-PA

Item No.

Travelers Rest, SC: 800-476-4103 • Simi Valley, CA: 800-423-0150 • Fax: 864-834-3518 • www.tsbrass.com

ITEM NO.	SALES NO.	DESCRIPTION
1	PA-N	Retaining Nut
2	PA-C	Cold Pivot Action Handle Asm. w/ Spanner Bit
3	238A-PA	Pivot Action Metering Cartridge w/ Retaining Nut
4	238AC-PA	Pivot Action Metering Cartridge w/ Cold PA Handle & Spanner Bit
5	001000-45	Rosette Washer
6	000958-20	Coupling Nut
7	002954-45	Shank Lock Nut
8	B-0199-08-N05	0.5 GPM VR Spray Device, 13/16-27 Male
9	238AH-PA	Pivot Action Metering Cartridge w/ Hot PA Handle & Spanner Bit
10	PA-H	Hot Pivot Action Handle Asm. w/ Spanner Bit
11	016654-45	Vandal Resistant Stainless Steel Screw



014734-45
Spanner Bit

015425-45
Vandal Resistant Key

Product Specifications:

4" Centerset Deck Mount Mixing Faucet, Pivot Action Metering Cartridges, Vandal Resistant 0.5 GPM Non-Aerated Spray Device and 1/2" NPSM Male Inlets w/ Coupling Nuts

Product Compliance:

ASME A112.18.1 / CSA B125.1
NSF 61 - Section 9
NSF 372 (Low Lead Content)
ANSI A117.1 (ADA)