



ADA Compliant

This Space for Architect/Engineer Approval

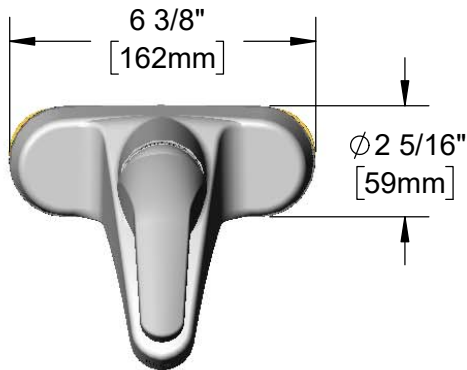
Job Name _____ Date _____

Model Specified _____ Quantity _____

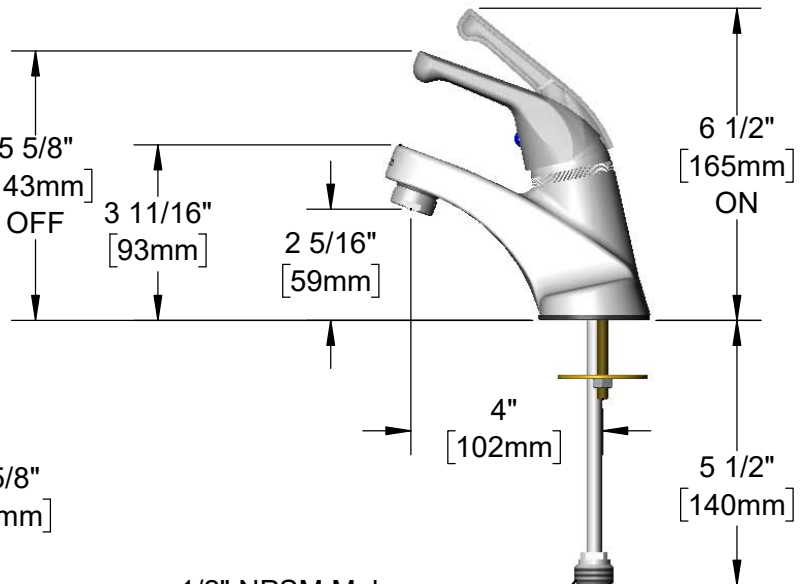
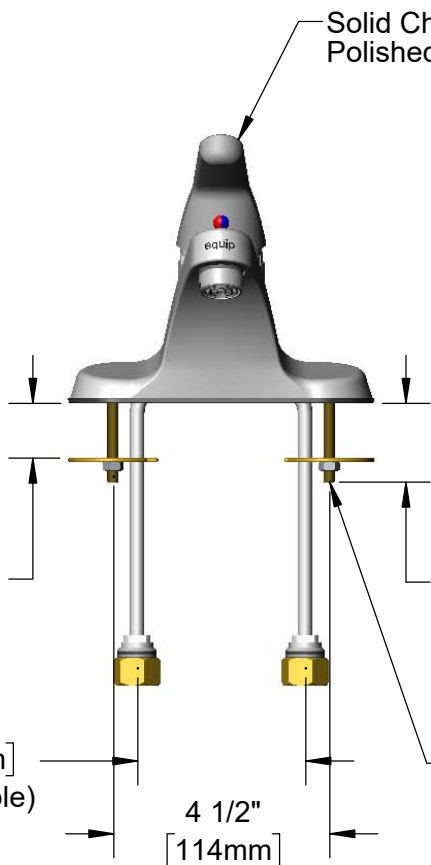
Customer/Wholesaler _____

Contractor _____

Architect/Engineer _____



Solid Chrome Polished Handle



1/2" NPSM Male Threads w/ 3/8" OD Flexible Copper Tubing

Rough-In Requirement:
(2) ϕ 1 1/8" [29mm] Mounting Holes

Model Number
5SL-1000

Product Specifications:
equip Single Lever Faucet, Solid Handle, 2.0 GPM Aerator & 1/2" NPSM Inlets w/ 3/8" OD Flexible Copper Tubing

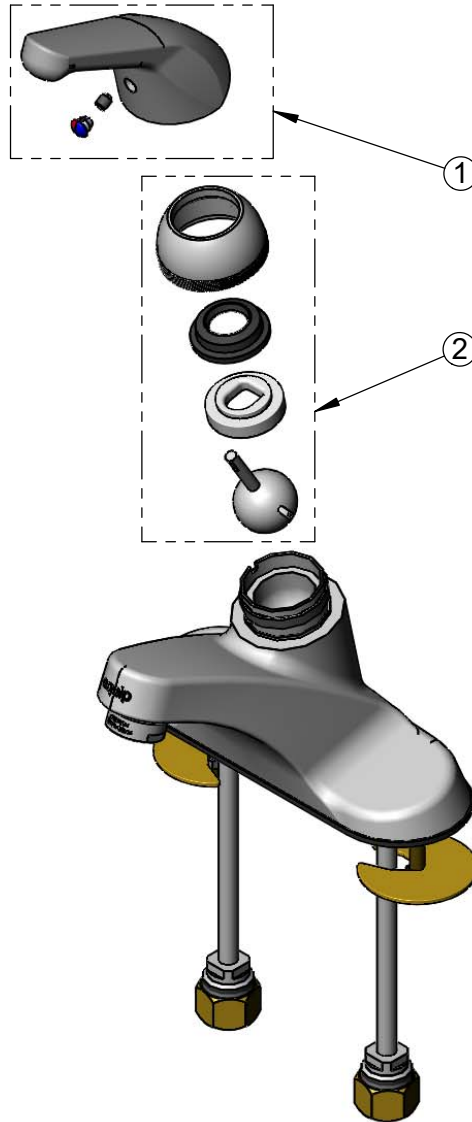
Product Compliance:
ASME A112.18.1 / CSA B125.1
NSF 61 - Section 9
NSF 372 (Low Lead Content)
ANSI A117.1 (ADA)

equip Foodservice Accessories



2 Saddleback Cove, P.O. Box 1088
Travelers Rest, South Carolina 29690
Phone: 800.891.4808 Fax: 800.868.0084
equip.tsbrass.com

ITEM NO.	SALES NO.	DESCRIPTION
1	5SL-1000-H	equip Solid Lever Handle w/ Set Screw and Temperature Index
2	015232-45	equip Cartridge for 5SL Single Lever Faucet



Model Number
5SL-1000

Product Compliance:
ASME A112.18.1 / CSA B125.1
NSF 61 - Section 9
NSF 372 (Low Lead Content)
ANSI A117.1 (ADA)

Product Specifications:
equip Single Lever Faucet, Solid Handle, 2.0 GPM Aerator & 1/2" NPSM Inlets w/ 3/8" OD Flexible Copper Tubing

equip Foodservice Accessories



2 Saddleback Cove, P.O. Box 1088
Travelers Rest, South Carolina 29690
Phone: 800.891.4808 Fax: 800.868.0084
equip.tsbrass.com