



ADA Compliant

This Space for Architect/Engineer Approval

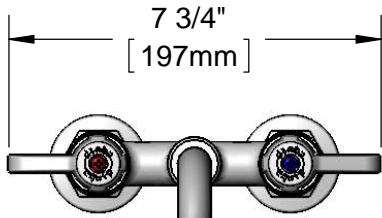
Job Name _____ Date _____

Model Specified _____ Quantity _____

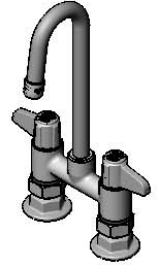
Customer/Wholesaler _____

Contractor _____

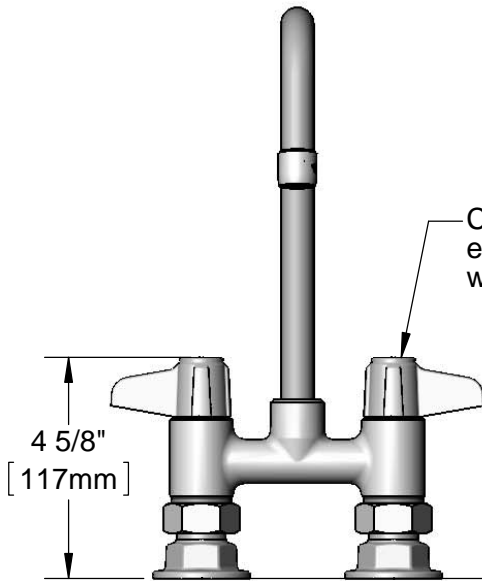
Architect/Engineer _____



5SP-03
3" equip Rigid Gooseneck
w/ Laminar Flow Device



2 13/16"
[72mm]



Ceramic Cartridges &
equip Lever Handles
w/ Color Coded Screws

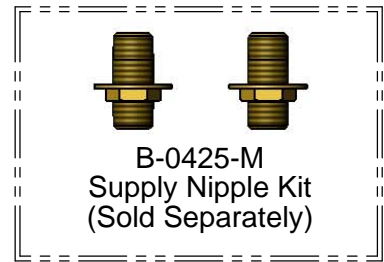
11 7/8"
[302mm]

8 3/16"
[208mm]

Mounting Surface

4"
[102mm]
Adjustable from
3 3/4" to 4 1/4"
[95mm to 108mm]

Ø 2" [51mm]
Flanges w/
1/2" NPT
Female Inlets



Model Number

5F-4DLX03

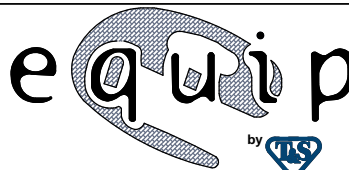
Product Specifications:

4" Deck Mount Mixing Faucet, Ceramic Cartridges, equip
Lever Handles, 3" equip Swivel Gooseneck & 1/2" NPT
Female Inlets

Product Compliance:

ASME A112.18.1 / CSA B125.1
NSF 61 - Section 9
NSF 372 (Low Lead Content)
ANSI A117.1 (ADA)

equip
Foodservice
Accessories



2 Saddleback Cove, P.O. Box 1088
Travelers Rest, South Carolina 29690
Phone: 800.891.4808 Fax: 800.868.0084
equip.tsbrass.com

Drawn: DMH

Checked: KJG

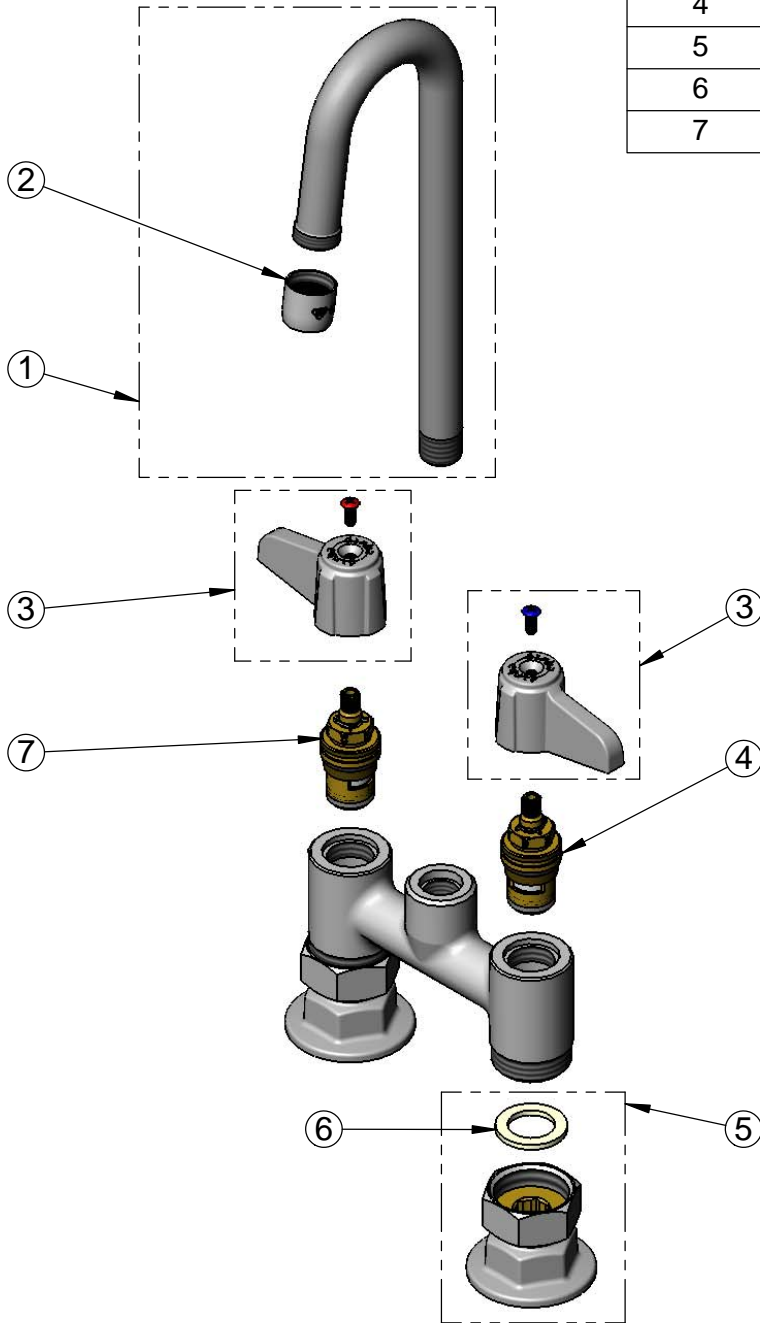
Approved: JHB

Date: 08/26/16

Scale: 1:4

Sheet: 1 of 2

ITEM NO.	SALES NO.	DESCRIPTION
1	5SP-03	3" equip Rigid Gooseneck
2	014250-45	Laminar Flow Device
3	5-HDL-L	equip Lever Handle w/ Color Coded Screws
4	013788-45	equip Ceramic Cartridge, LTC
5	00AA	1/2" NPT Female Eccentric Flange
6	001019-45	Coupling Nut Washer
7	013787-45	equip Ceramic Cartridge, RTC



Model Number

5F-4DLX03

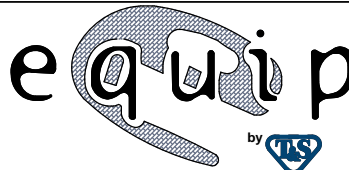
Product Specifications:

4" Deck Mount Mixing Faucet, Ceramic Cartridges, equip
Lever Handles, 3" equip Swivel Gooseneck & 1/2" NPT
Female Inlets

Product Compliance:

ASME A112.18.1 / CSA B125.1
NSF 61 - Section 9
NSF 372 (Low Lead Content)
ANSI A117.1 (ADA)

equip
Foodservice
Accessories



2 Saddleback Cove, P.O. Box 1088
Travelers Rest, South Carolina 29690
Phone: 800.891.4808 Fax: 800.868.0084
equip.tsbrass.com