

*This Space for Architect/Engineer Approval*

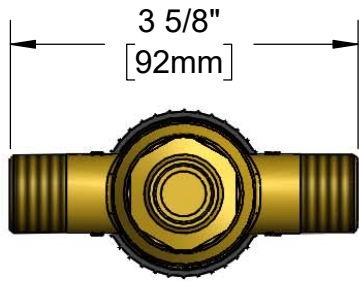
Job Name \_\_\_\_\_ Date \_\_\_\_\_

Model Specified \_\_\_\_\_ Quantity \_\_\_\_\_

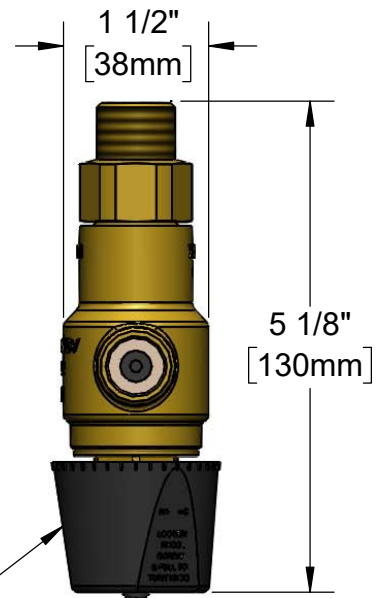
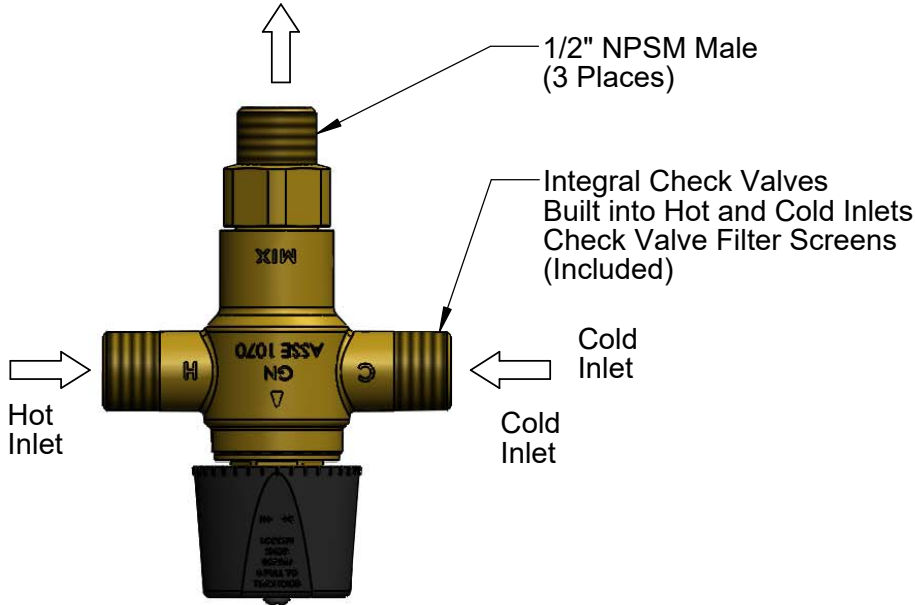
Customer/Wholesaler \_\_\_\_\_

Contractor \_\_\_\_\_

Architect/Engineer \_\_\_\_\_



Mixed Water  
to Fixture



**Performance Rating:**

- Minimum Flow Rate: 0.35 GPM
- Pressure Drop at Minimum Flow Rate: 0.5 psi
- Maximum Pressure: 125 psi
- Hot Water Inlet Temperature Range: 120~180°F (49~82°C)
- Outlet Temperature Range: 80~120°F (27~49°C)
- Outlet Temperature Factory Setting: Approx. 100°F (38°C)

Locking Adjustment Knob Prevents Water from Exceeding Customer's Maximum Temperature Set Point. Valve is Factory Pre-set to Deliver Mixed Water Temperature of Approximately 100°F (38°C) Max.

Model Number  
**5EF-TMV**

Product Specifications:  
**Thermostatic Mixing Valve with 1/2" NPSM Male Fittings**

Product Compliance:  
NSF 61 - Section 9  
NSF 372 (Low Lead Content)  
ASSE 1070

equip  
Foodservice  
Accessories

2 Saddleback Cove, P.O. Box 1088  
Travelers Rest, South Carolina 29690  
Phone: 800.891.4808 Fax: 800.868.0084  
equip.tsbrass.com