

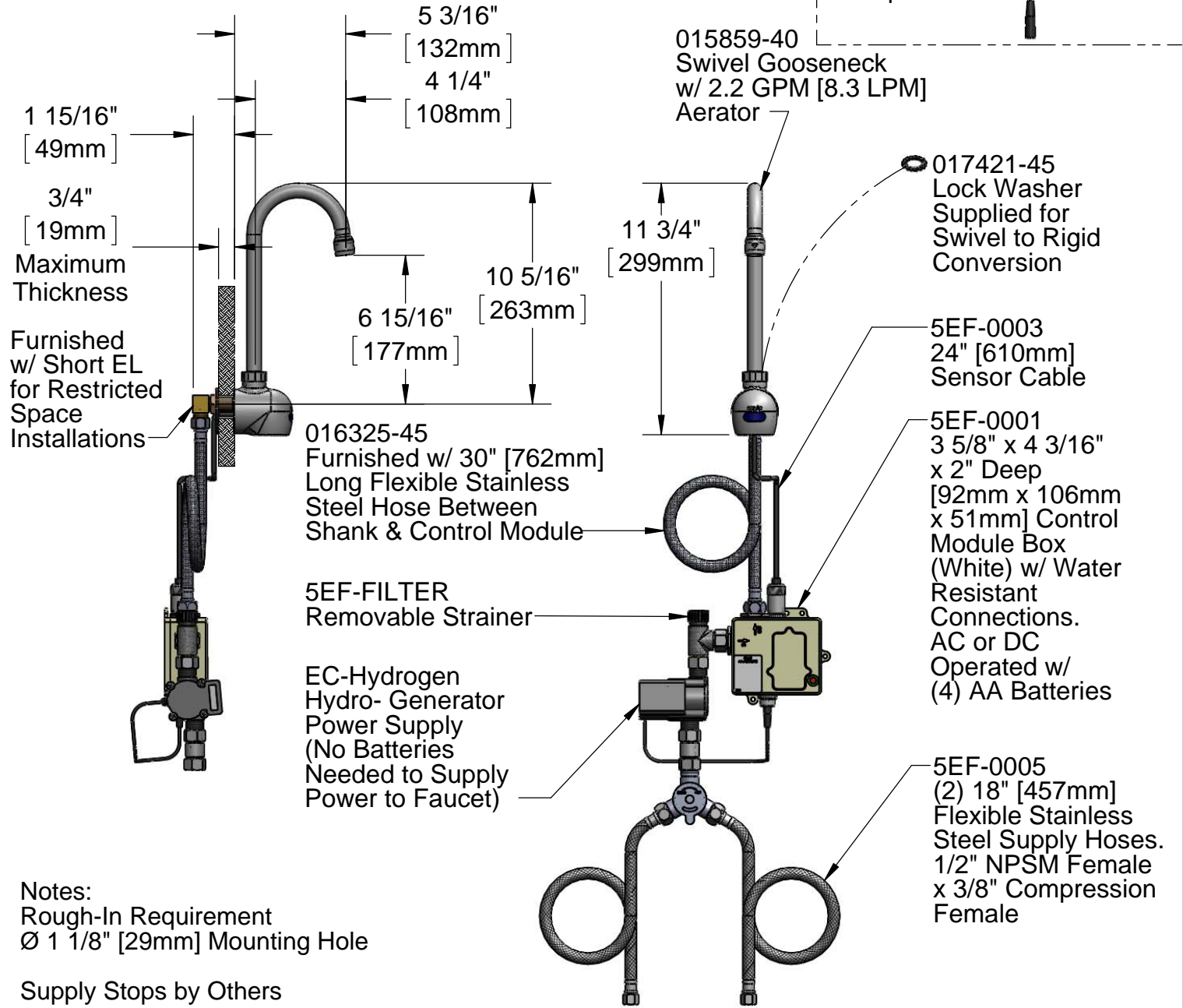
This Space for Architect/Engineer Approval

Job Name _____ Date _____
 Model Specified _____ Quantity _____
 Customer/Wholesaler _____
 Contractor _____
 Architect/Engineer _____



ADA Compliant

5EF-0002
 (Also Included)
 144" [3658mm]
 Long Double
 Power Cord w/
 100-240 Vac
 Adapter



Notes:
 Rough-In Requirement
 Ø 1 1/8" [29mm] Mounting Hole

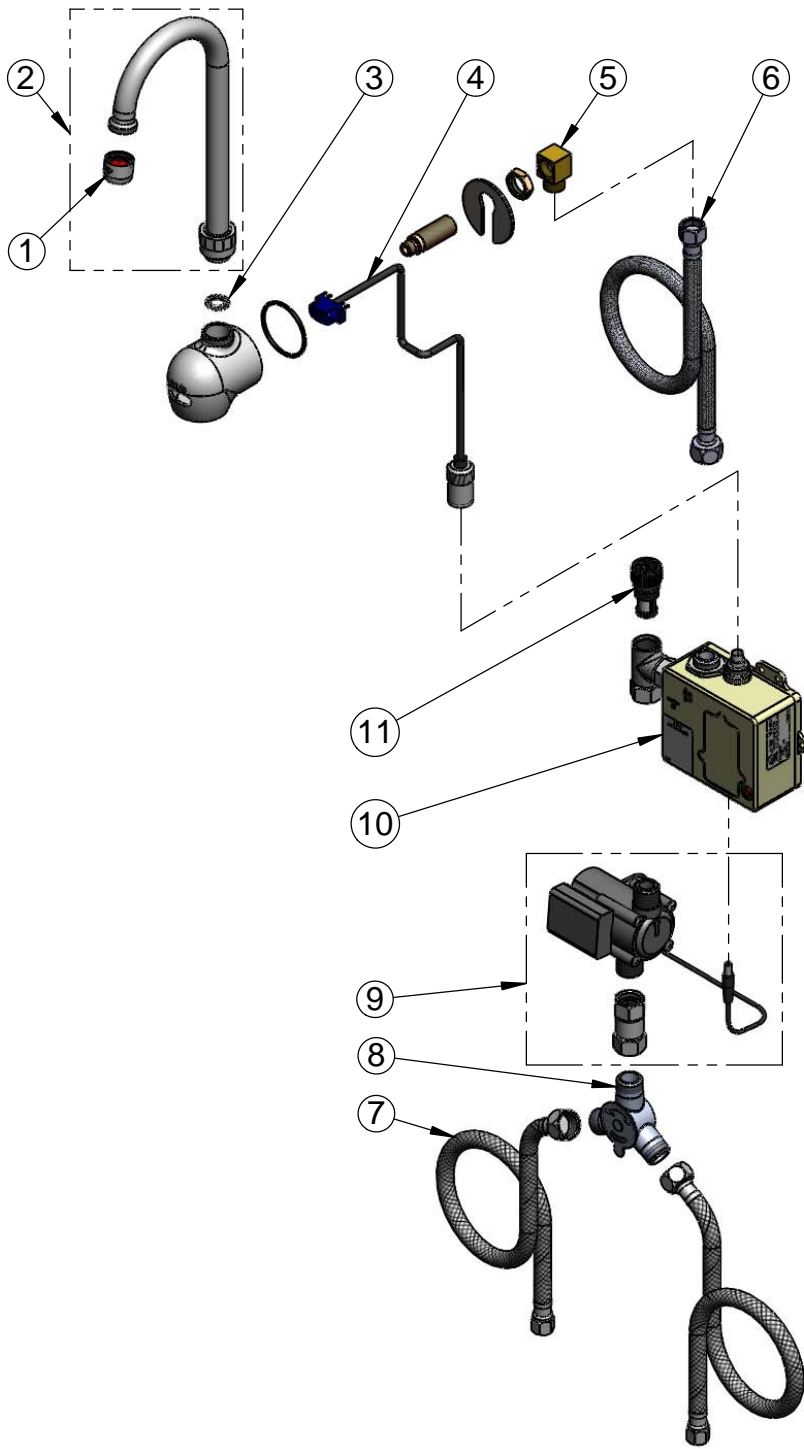
Supply Stops by Others

Model Number 5EF-1D-WGMM-HG	Date 12/19/11	Scale 1:7	Drawn DHL	Checked DMH	Approved JHB
--------------------------------	------------------	--------------	--------------	----------------	-----------------

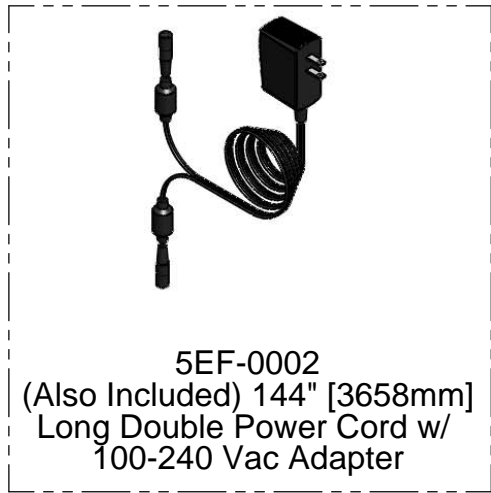


Product Specifications:
 Electronic Faucet: Wall Mount Swivel Gooseneck w/ 2.2 GPM Aerator, AC-DC Control Module, Hydro-Generator, Temperature Control Mixing Valve w/ Integral Check Valves & 18" Long Flexible Supply Stop Hoses

equip Foodservice Accessories
 2 Saddleback Cove, P.O. Box 1088
 Travelers Rest, South Carolina 29690
 Phone: 800.891.4808 Fax: 800.868.0084



ITEM NO.	SALES NO.	DESCRIPTION
1	B-0199-01	2.2 GPM Aerator, Female
2	015859-40	Swivel Gooseneck 2.2 GPM Aerator (5EF-1D-WGMM)
3	017421-45	Serrsted Lock Washer
4	5EF-0003	24" Sensor Cable
5	015345-20	3/8-18 Low Profile Elbow
6	016325-45	Inlet Hose, Faucet, 1/2" NPSM-F x 3/8" NPSM-F
7	5EF-0005	Supply Hose, 9/16-24 Female x 1/2" NPSM
8	5EF-0006	Mechanical Mixing Valve
9	EC-HYDROGEN	HydroGenerator Power Supply
10	5EF-0001	equip Sensor Faucet - Control Module
11	5EF-FILTER	Replacement Filter



Model Number 5EF-1D-WGMM-HG	Date 12/19/11	Scale NTS	Drawn DHL	Checked DMH	Approved JHB
--------------------------------	------------------	--------------	--------------	----------------	-----------------



Product Specifications:

Electronic Faucet: Wall Mount Swivel Gooseneck w/ 2.2 GPM Aerator, AC-DC Control Module, Hydro-Generator, Temperature Control Mixing Valve w/ Integral Check Valves & 18" Long Flexible Supply Stop Hoses

equip Foodservice Accessories
2 Saddleback Cove, P.O. Box 1088
Travelers Rest, South Carolina 29690
Phone: 800.891.4808 Fax: 800.868.0084