



T&S BRASS AND BRONZE WORKS, INC.

2 Saddleback Cove / P.O. Box 1088
Travelers Rest, SC 29690



REG. #A2601
ISO #9001

Model No.
017219-45

Item No.

Travelers Rest, SC: 800-476-4103 Simi Valley, CA: 800-423-0150 Fax: 864-834-3518 www.tsbrass.com

This Space for Architect/Engineer Approval

Job Name _____ Date _____

Model Specified _____ Quantity _____

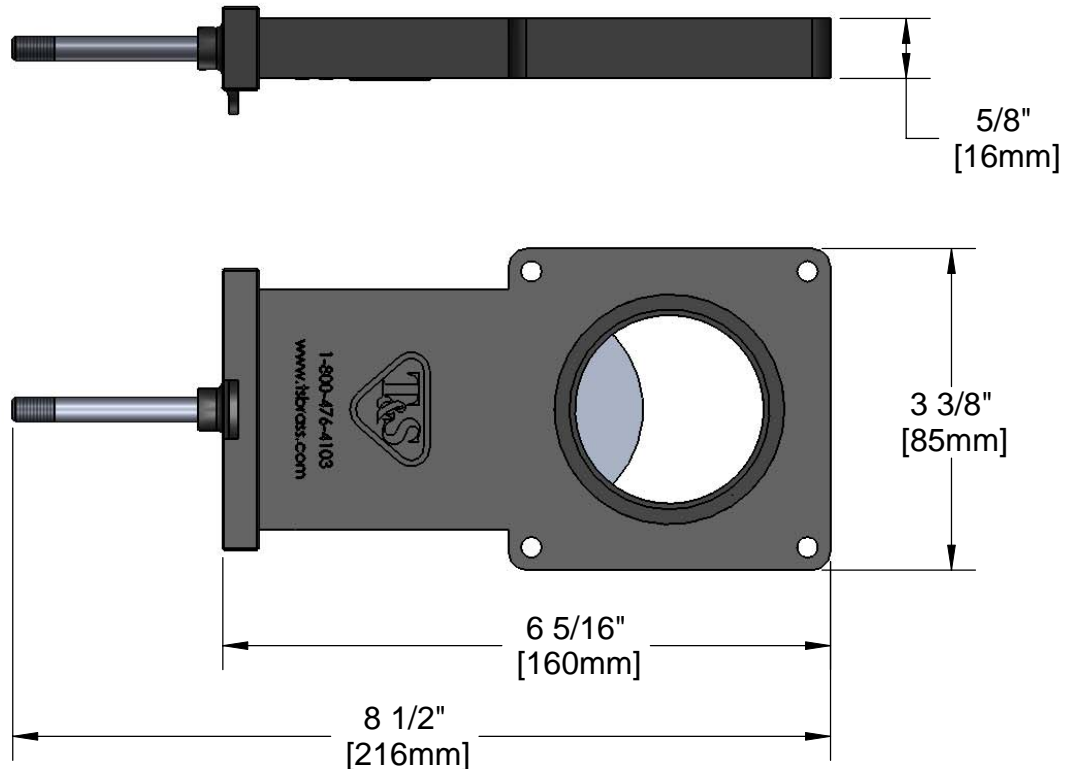
Customer/Wholesaler _____

Contractor _____

Architect/Engineer _____



(2) Valve Body Seals
Furnished w/ Assembly
P/N 089-017698-45



Note:

1. Material: Valve Body ABS

Product Specifications:

Valve Body Assembly w/ (2) Seals

Drawn KJG	Checked GEF	Approved JHB
Scale: 1:2		Date: 05/26/09