



T&S BRASS AND BRONZE WORKS, INC.
 2 Saddleback Cove / P.O. Box 1088
 Travelers Rest, SC 29690

Model No.
017208-40

Item No.

Travelers Rest, SC: 800-476-4103 • Simi Valley, CA: 800-423-0150 • Fax: 864-834-3518 • www.tsbrass.com

This Space for Architect/Engineer Approval

Job Name _____ Date _____

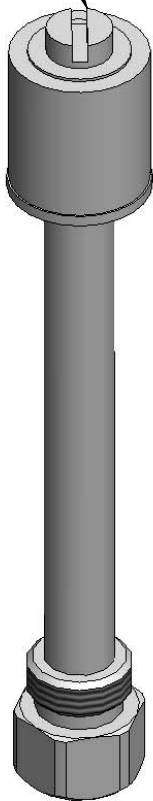
Model Specified _____ Quantity _____

Customer/Wholesaler _____

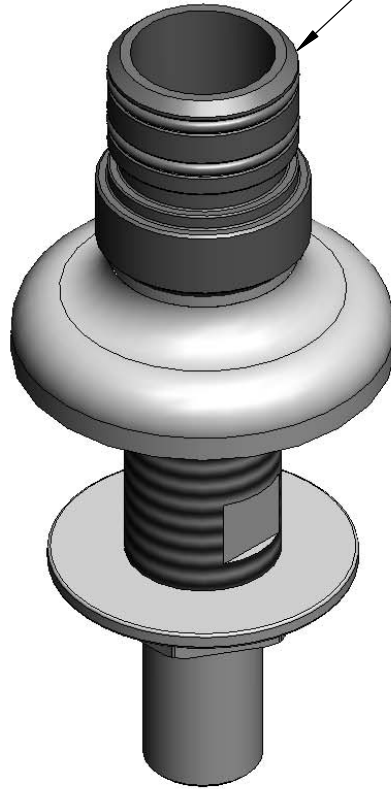
Contractor _____

Architect/Engineer _____

Diverter and
 Extension



Center Shank w/
 Swivel Deck Flange and
 Flange Nut



Compression Nut
 & Fitting

Product Specifications:
 Concealed Widespread EasyInstall Faucet Diverter Repair Kit

Drawn
JRM

Checked
DHL

Approved
JHB

Scale:
1:1

Date:
09/07/12