



RF-0385 / RF-0399 Flake Ice Machines

Model

- RF-0385A RF-0399A



Model RF-0385A*
Flake Ice Machine

Model RF-0399A
Flake Ice Machine

*Fits under standard bar counter heights

Standard Features

- Up to 329 lbs. (149 kgs) daily flake ice production.
- Up to 120 lbs. (54 kgs) ice storage capacity.
- Perfect for food and beverage presentation, preservation and hand scooping into drinks.
- High load capacity bearings for enhanced reliability.
- Heavy duty stainless steel cabinet resists corrosion.
- Easy access door, slides up & out of the way.



Standard Equipment

RF-0385 / RF-0399

Ice Scoop, 6" Bin Legs, Alternate Low Profile
 Legs Standard Legs Adjustable from 4-1/2" to 6" Low Profile Non-Adjustable 1/4"

Ice Machine Electric

*115/60/1. (230/50/1 also available.)
 115/60/1 ice machines are factory pre-wired with a 6' (180 cm) power cord and NEMA 5-15P plug configuration.

*230/50/1 ice machines are factory pre-wired with a 6' (180 cm) power cord with either: no plug or prewired with Schuko or Blade "G Type" Plugs.

Total ampacity:

Air-cooled: 10 amps.

Maximum fuse size:

Air-cooled: 15 amps.

HACR-type circuit breakers can be used in place of fuses

Specifications

Condenser Heat of Rejection (BTU per Hour):

3,500 (average)

Compressor:

Nominal rating: 1/2 HP

Refrigerant:

R-404A

Operating Limits:

- Ambient Temperature Range: 50°-110°F (10°-43°C)
- Water Temperature Range: 37°-90°F (3°-32°C)
- Water Pressure Ice Maker Water In: Min. 14 psi (96.5 kPa) Max. 80 psi (551.6 kPa)

Ice Shape

- Flake ice is small hard bits of ice ideally suited for presentation applications.
- With 73% ice to water ratio, ice forms around objects without bruising and holds in place without tipping/spilling.



Ice shown actual size

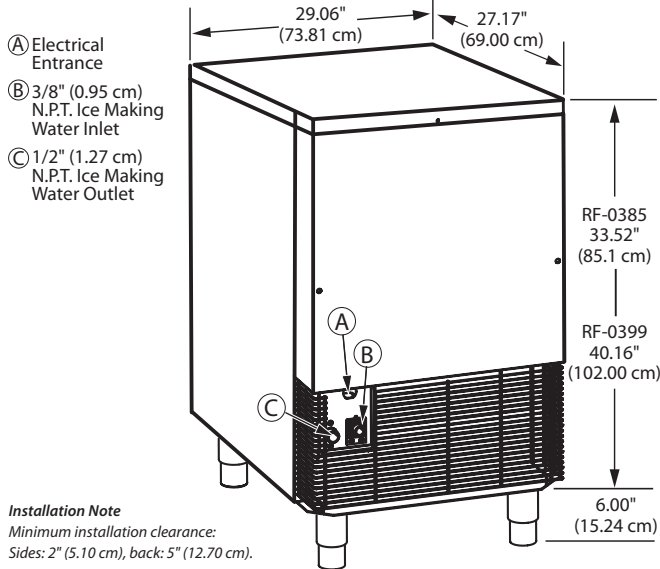


QUALITY MANAGEMENT SYSTEM
 CERTIFIED BY DNV
ISO 9001:2008



RF-0385 / RF-0399 Flake Ice Machines

RF-0385/RF-0399



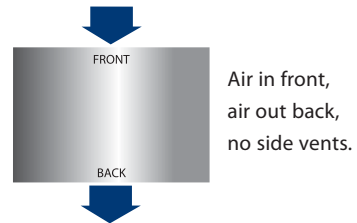
Space-Saving Designs



	RF-0385 undercounter height	RF-0399
Height	39.52" 100.4 cm	46.16" 117.24 cm
Width	29.06" 73.81 cm	29.06" 73.81 cm
Depth	27.17" 69.00 cm	27.17" 69.00 cm
Bin Storage	88 lbs. 40 kgs	120 lbs. 54 kgs

Height includes adjustable bin legs 4.50" to 6.00", 11.43 cm to 15.24 cm set at 6.00" (15.24 cm).

Air Flow Overhead View



Air-cooled Ice Machine	Model	Ice Shape	Ice Production 24 Hours		Power kWh/100 lbs @ 90°Air/70°F 32°Air/21°C Water	Potable Water Usage (100 lbs./45.4 kgs of Ice)	Bin Storage Capacity
			70°Air/ 50°F Water 21°Air/10°C Water	90°Air/ 70°F Water 32°Air/21°C Water			
RF-0385A	Flake	Flake	329 lbs.	273 lbs.	6.32	12 gal. 45.4 L	88 lbs. 40 kgs
			149 kgs	124 kgs			
RF-0399A	Flake	Flake	329 lbs.	273 lbs.	6.32	12 gal. 45.4 L	120 lbs. 54 kgs
			149 kgs	124 kgs			

"A" following model number indicates "Air" condensing unit.
Test conditions are 90°F/32°C air, 70°F/21°C water, and 30 ± 3 psig water inlet pressure.