

# Delta<sup>®</sup> 5-E

Chemical Sanitizing Door-type  
Glasswasher/Dishwasher

## Standard Features

- ▶ Unit functions as both a glasswasher and a dishwasher, accommodating ware up to 11 1/2"(292mm) tall
- ▶ Push-button start
- ▶ Electronic timer
- ▶ Easily accessible controls
- ▶ Temperature gauge
- ▶ Sustaining heating element maintains final rinse between 120-140 °F (49-60 °C)
- ▶ Door switch
- ▶ Removable end plugs on lower wash arm and removable upper jets for easy cleaning
- ▶ Fits compactly underbar
- ▶ Gravity drain
- ▶ Built-in chemical pumps and priming switches
- ▶ Powerful 1 HP stainless steel wash pump motor
- ▶ Swing-out control box for easy access
- ▶ Built-in waste accumulator
- ▶ Air-gap water inlet
- ▶ Delime/manual wash switch
- ▶ Adjustable bullet feet
- ▶ Durable stainless steel construction



## Specification Statement

Specified unit will be a Jackson Delta 5-E chemical sanitizing door-type glasswasher which also functions as a dishwasher. Unit will be NSF rated and ENERGY STAR<sup>®</sup> certified. Unit will be rated for 39 racks per hour, 1.15 gallons per rack. Features include detergent, sanitizer and rinse aid pumps with priming switches, electronic timer, delime switch, removable end plugs on lower wash arm and removable upper jets, sustaining heating element to maintain final rinse between 120 - 140 °F, air-gap water inlet, gravity drain, built-in waste accumulator, 1 HP stainless steel wash pump motor, and swing out control box for easy service and access. 115/60/1. Constructed of durable stainless steel with adjustable bullet feet.

**1-year parts and labor warranty.**

## Options & Accessories

- ▶ Scrap Tray
- ▶ Side Enclosures Panel Kit
- ▶ Water Hammer Arrestor
- ▶ Scale Prevention System (SPS)
- ▶ Replacement Cartridge for SPS
- ▶ 36-Compartment Rack  
4-1/8" tall (105 mm)
- ▶ 5-5/8" tall (143 mm)
- ▶ 7" tall (178 mm)
- ▶ Combination Rack
- ▶ Peg Rack



Satisfy your thirst  
for clean glasses  
...and dishes, too!

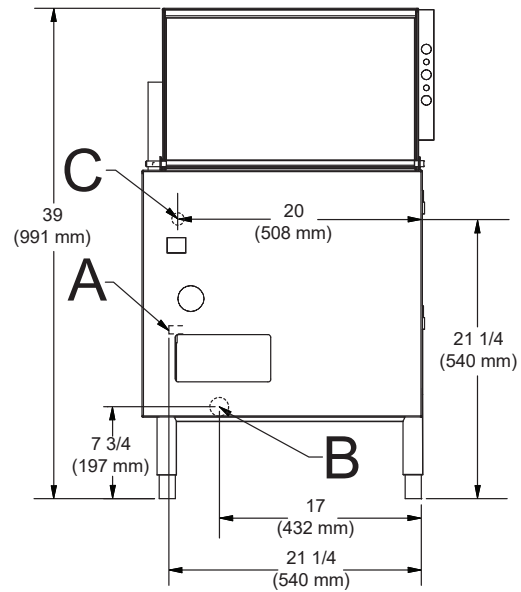
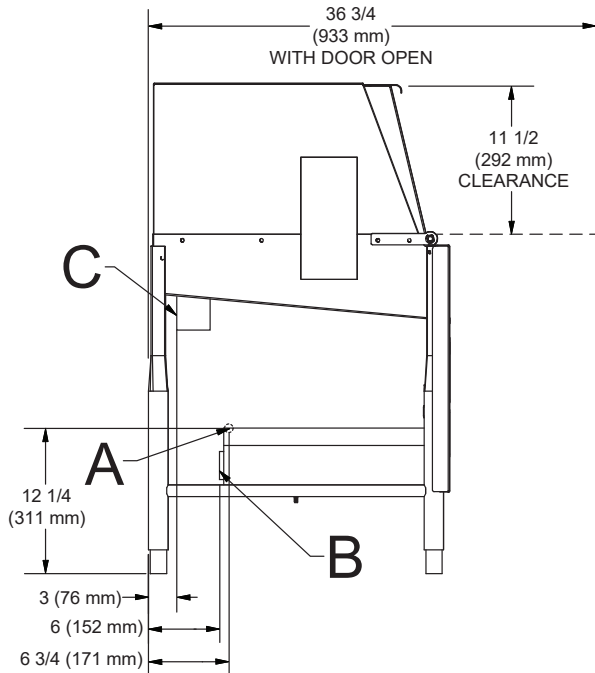
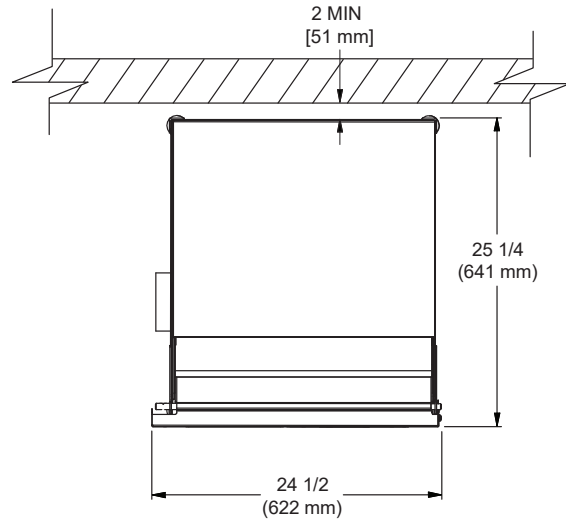
- Fill and dump design, fresh water every cycle
- Functions as both a glasswasher and a dishwasher
- Push button start
- 92-second automatic cycle
- Electronic timer
- Integrated sustainer heater keeps wash water hot between cycles
- Gravity drain
- Built-in scrap accumulator with external access
- Easy-to-clean wash and rinse arms with removable caps
- Accommodates glasses and dishes up to 11 1/2" tall
- Built-in chemical pumps and priming switches



**LEGEND**

- A - Water Inlet (1/2" NPT)
- B - Drain Connection (2" NPT)
- C - Electrical Connection

All dimensions from the floor can be increased 2 3/4" using the machine's adjustable feet.



**Operating Capacity (Cycle I)**

Racks per Hour	39 (29)*
Dishes per Hour	975
Glasses per Hour	1,404

**Operating Temperature**

Wash Temperature	
Minimum	120 °F/49 °C
Recommended	140 °F/60 °C
Rinse Temperature	
Minimum	120 °F/49 °C
Recommended	140 °F/60 °C

**Operating Cycle (seconds)**

Wash	Rinse	Dwell	Total Cycle
46	25	21	92

**Water Consumption**

Gallons per Rack	1.15 (4.4 L)
Gallons per Hour	44.85 (169.8 L)
Gallons per Hour**	33.35 (126.2 L)
Wash Tank Capacity (gallons)	1.2 (4.5 L)

**Water Requirements**

Incoming Water Temperature	
Minimum	120 °F/49 °C
Recommended	140 °F/60 °C
Flow Pressure (PSI)	20 ± 5
Incoming Water Connection (NPT)	1/2"
Drain Connection (NPT)	2"

**Electrical Specifications**

Wash Pump Motor (HP)	
115v	1.0
Wash Tank Heater (kW)	
115v	2.0

**Chemical Specifications**

Sodium Hypochlorite (PPM)	50
---------------------------	----

Power Supply	Total Load	Minimum Circuit Ampacity	Maximum Overcurrent Protection
115/60/1	16.0 A	18.5 A	25.0 A

**Dimensions**

Width	24 1/2" (622 mm)
Depth	25 1/4" (641 mm)
Depth with Door Open	36 3/4" (934 mm)
Height	39" (991 mm)
Inside Clearance Height	11 1/2" (292 mm)
Wall Clearance	2" (51 mm)
Drain Height	7 3/4" (197 mm)

**Shipping Details**

Shipping Weight	230 lbs (105 kg)
Shipping Width	28" (711 mm)
Shipping Depth	28 1/2" (724 mm)
Shipping Height	51 1/2" (1308 mm)
Shipping Cube	23.30 cu ft
Shipping Class	100

\*Racks per hour calculated with NSF suggested load time of :30 for front-opening dishmachines.

\*\*Gallons per hour calculated with NSF suggested load time of :30 for front-opening dishmachines.

**Contact Jackson**

07610-004-13-56 [11/30/21]

**Address**

6209 N U.S. Highway 25E  
Gray, Kentucky 40734

**Telephone & Fax**

T 888.800.5672  
F 606.523.1799

**Email**

customer.service@jacksonwws.com



JACKSONWWS.COM



JACKSON WAREWASHING SYSTEMS



JACKSON WWS

We reserve the right to change specifications in this document without incurring any obligation for equipment previously or subsequently sold.