

Heavy Duty A/V Cart



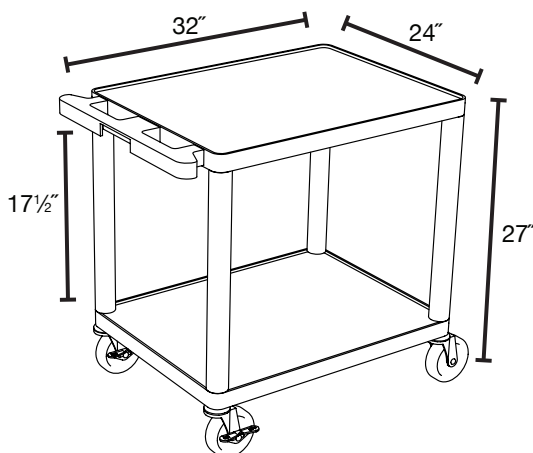
LP27-B
32"W x 24"D x 27"H



LP27C-B
32"W x 24"D x 27"H



LP27CE-B
32"W x 24"D x 27"H



LP27E-B
32"W x 24"D x 27"H

- 32"W x 24"D x 27"H
- .25" retaining lip borders flat shelves to ensure minimal sliding
- Optional locking cabinet made from 20-gauge steel with powder coat paint finish, full piano door hinges with a set of two keys
- Inner Cabinet dimensions measure 23¹/₄" W x 16³/₄" D x 18"H
- Ergonomic push handle molded into the top shelf for optimum comfort
- Four 4" Heavy-Duty non-marring casters, two with locking brake, for mobility and stability
- Molded plastic shelves and legs won't stain, scratch, dent or rust
- Three-outlet surge suppressing 15" cord and cord management system to keep cart clean and organized
- Maximum weight capacity of 100 lbs. per shelf evenly distributed

**MADE IN
USA**