



KM-201B_H

SELF-CONTAINED CUBER WITH BUILT-IN STORAGE BIN



KM-201B_H
04/25/17
Item # 13238

Item #: _____
 Project: _____
 Qty: _____
 AIA#: _____

W x D x H
24" x 28" x 39"*
 *including 6" legs

KM-201BAH ★
 Air-Cooled
 Shown

KM-201BWH
 Water-Cooled



Features

- ▶ Individual crescent cube
- ▶ Stainless steel evaporator
- ▶ CycleSaver™ design

- Up to 215 lbs. of ice production per 24 hours
- Up to 80 lbs. of built-in storage capacity
- Durable stainless steel exterior
- Ice bin opening is ADA compliant
- EverCheck™ alert system
- Removable air filter (Air-cooled model only)
- R-404A Refrigerant

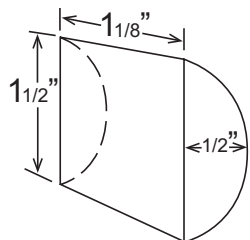
Warranty:

3 Year Parts & Labor on entire machine. 5 Year Parts & Labor on Evaporator. 5 Year Parts on Compressor; air-cooled condenser coil. 1 Year - HS-5061 Drain Pump Assembly - Parts & Labor. Valid in United States, Canada, Puerto Rico and U.S. Territories. Contact factory for warranty in other countries.



Condenser	Model	ICE PRODUCTION		Per Cycle		WATER USAGE		ELECTRICAL			Heat Rejection BTU/hr.	Shipping Weight	ENERGY STAR®	
		Air / Water Temp Lbs. per 24 hours	70°/50°F	90°/70°F	Lbs.	Cubes	Potable Gal. per 100 lbs. 90°/70°F	Condenser Gal. per 100 lbs. 90°/70°F	kWh Used per 100 lbs. 90°/70°F	Max. Fuse Size or HACR Circuit Breaker				Amperage
Air-Cooled	KM-201BAH	201	165	4.0	182	22.0	N/A	7.5	15A	6.1A	115V/60/1	3,450	177 lbs.	★
Water-Cooled	KM-201BWH	215	181	4.0	182	24.0	141.3	6.17	15A	5.5A	115V/60/1	3,200	177 lbs.	

KM Cube Dimensions*



* approximate size in inches, image not to scale

Operating Limits

- Ambient Temp Range 45 - 100°F
- Water Temp Range 45 - 90°F
- Water Pressure 10 - 113 PSIG
- Voltage Range 104 - 127V

Service

- Allow enough space at rear for water supply and drain connections. Allow at least 2" (5 cm) on right side for proper air circulation and at least 0.6" (15 mm) clearance at top for service/maintenance.

Plumbing

- Icemaker Water Supply Line: Minimum 1/4" Nominal ID Copper Water Tubing or Equivalent
- Icemaker Drain Line: Minimum 3/4" Nominal ID Hard Pipe or Equivalent

Water-Cooled Model (Lines Must Be Independent of Icemaker)

- Condenser Water Supply Line: Minimum 1/4" Nominal ID Copper Water Tubing or Equivalent
- Condenser Drain/Return Line: Minimum 1/4" Nominal ID Hard Pipe (open drain system) or Copper Water Tubing (closed loop system) or Equivalent



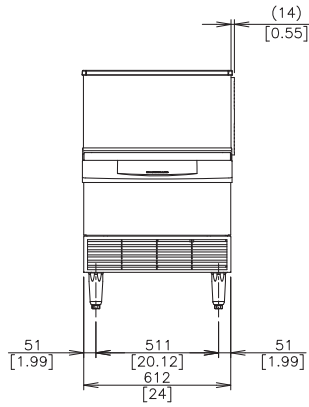
KM-201B_H

SELF-CONTAINED CUBER WITH BUILT-IN STORAGE BIN

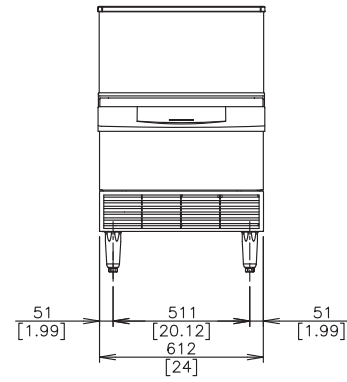


KM-201B_H
04/25/17
Item # 13238

FRONT VIEW



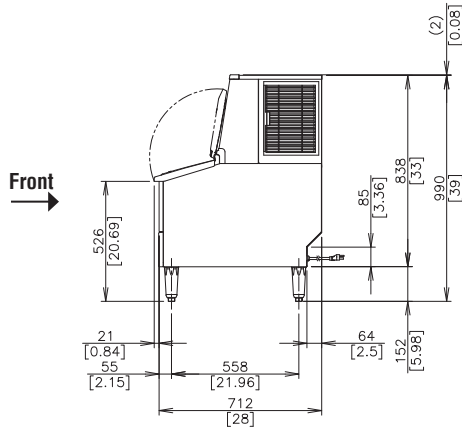
AIR-COOLED



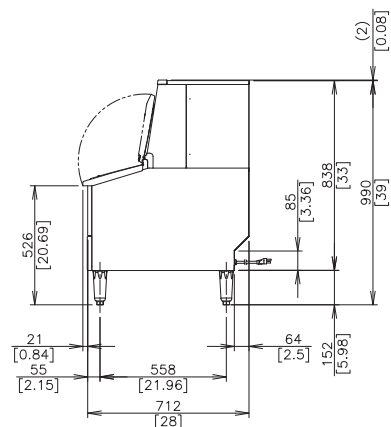
WATER-COOLED

mm
[inch]

SIDE VIEW

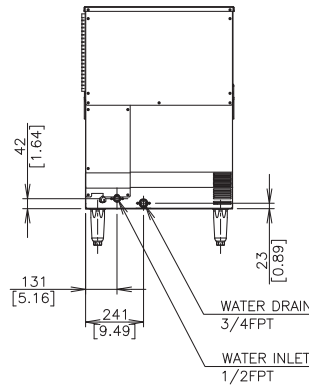


AIR-COOLED

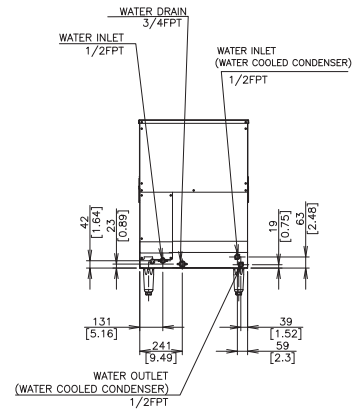


WATER-COOLED

REAR VIEW

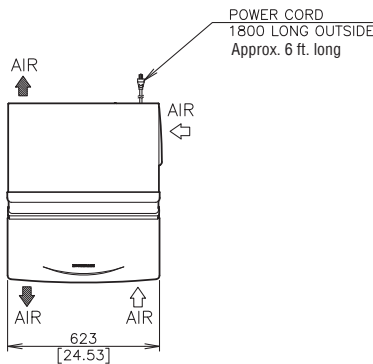


AIR-COOLED

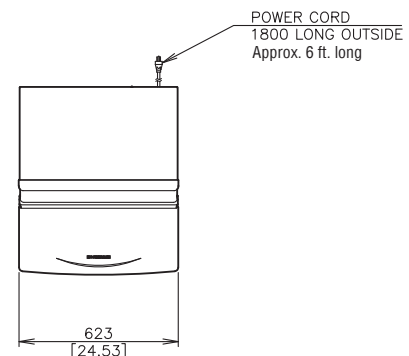


WATER-COOLED

TOP VIEW



AIR-COOLED



WATER-COOLED