



# KM-1301S\_H(3)


STACKABLE ICE CUBER





KM-1301S\_H(3)  
03/30/17  
Item # 13232

Item #: \_\_\_\_\_  
Project: \_\_\_\_\_  
Qty: \_\_\_\_\_  
AIA#: \_\_\_\_\_

## Features

- ▶ Individual crescent cube
- ▶ Stainless steel evaporator
- ▶ CycleSaver™ design 

- Up to 1353 lbs. of ice production per 24 hours
- Stackable for 2706 lbs. per 24 hours ice production in the same floor space
- Durable stainless steel exterior
- Protected by H-Guard Plus  Antimicrobial Agent
- EverCheck™ alert system 
- Removable air filters (Air-cooled model only)
- R-404A Refrigerant

### Available on Bins:

**B-800**    **B-1150SS**    **B-1500SS**    *Top kit may be required.*  
**B-900**    **B-1300SS**    **B-1650SS**    *See Bin Spec Sheets.*

### Warranty:

3 Year Parts & Labor on entire machine. 5 Year Parts & Labor on Evaporator. 5 Year Parts on Compressor; air-cooled condenser coil. Valid in United States, Canada, Puerto Rico and U.S. Territories. Contact factory for warranty in other countries.



**W x D x H**  
48" x 27<sup>3/8</sup>" x 27<sup>3/8</sup>"

**KM-1301SAH**  
Air-Cooled 1 Phase

**KM-1301SWH**  
Water-Cooled 1 Phase  
Shown on optional bin B-900

**KM-1301SRH** ★  
Remote Air-Cooled 1 Phase

**KM-1301SAH3** ★  
Air-Cooled 3 Phase

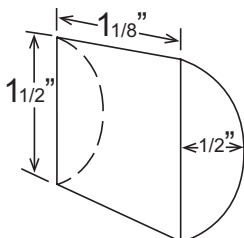
**KM-1301SWH3**  
Water-Cooled 3 Phase

**KM-1301SRH3** ★  
Remote Air-Cooled 3 Phase



	Condenser	Model	ICE PRODUCTION				WATER USAGE			ELECTRICAL			Heat Rejection BTU/hr.	Shipping Weight	ENERGY STAR®
			Air / Water Temp Lbs. per 24 hours 70°/50°F	90°/70°F	Per Cycle Lbs.	Cubes	Potable Gal. per 100 lbs. 90°/70°F	Condenser Gal. per 100 lbs. 90°/70°F	kWh Used per 100 lbs. 90°/70°F	Max. Fuse Size or HACR Circuit Breaker	Amperage	Voltage			
1 Phase	Air-Cooled	KM-1301SAH	1329	1164	29.8	1440	15.7	N/A	4.63	20A	12.4A	208-230V/60/1	20,300	315 lbs.	
	Water-Cooled	KM-1301SWH	1290	1276	31.5	1440	19.6	124	3.44	20A	8.2A	208-230V/60/1	17,200	315 lbs.	
	Remote Air-Cooled	KM-1301SRH	1353	1222	31.1	1440	16.6	N/A	4.1	20A	13.5A	208-230V/60/1	17,600	315 lbs.	★
3 Phase	Air-Cooled	KM-1301SAH3	1298	1159	30.4	1440	15.6	N/A	4.6	20A	9.5A	208-230V/60/3	20,200	315 lbs.	★
	Water-Cooled	KM-1301SWH3	1248	1251	30.3	1440	20.5	130	3.31	20A	6.1A	208-230V/60/3	16,200	315 lbs.	
	Remote Air-Cooled	KM-1301SRH3	1339	1197	30.7	1440	16.0	N/A	4.3	20A	10.7A	208-230V/60/3	17,500	315 lbs.	★

### KM Cube Dimensions\*



\* approximate size in inches, image not to scale

### Operating Limits

- Ambient Temp Range 45 - 100°F
- Water Temp Range 45 - 90°F
- Water Pressure 10 - 113 PSIG
- Voltage Range 187 - 253V

### Service

- Panels easily removed and all components accessible for service.
- Allow 6" (15cm) clearance at rear, sides, and top for proper air circulation and ease of maintenance/service.

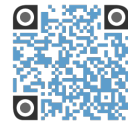
### Plumbing

- Icemaker Water Supply Line: Minimum 3/8" Nominal ID Copper Water Tubing or Equivalent
- Icemaker Drain Line: Minimum 3/4" Nominal ID Hard Pipe or Equivalent
- Water-Cooled Model (Lines Must Be Independent of Icemaker)
- Condenser Water Supply Line: Minimum 3/8" Nominal ID Copper Water Tubing or Equivalent
- Condenser Drain/Return Line: Minimum 3/8" Nominal ID Hard Pipe (open drain system) or Copper Water Tubing (closed loop system) or Equivalent



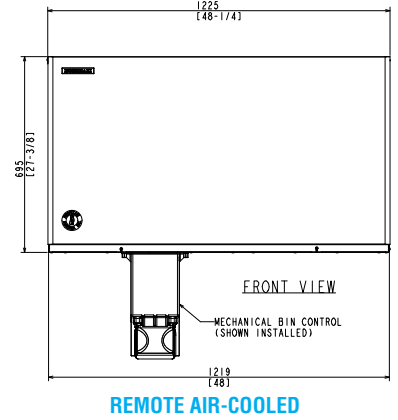
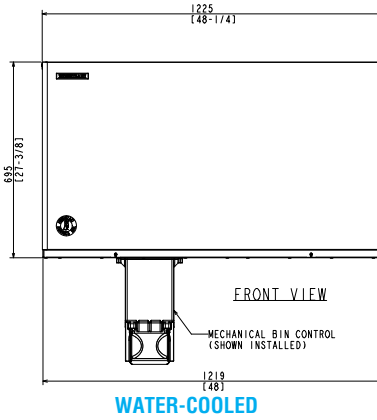
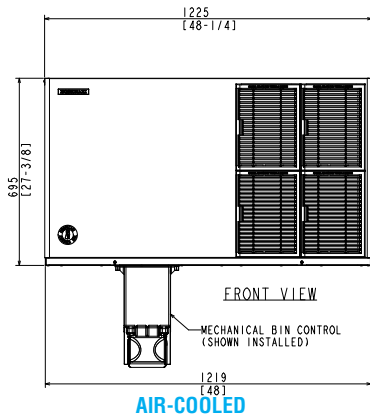
# KM-1301S\_H(3)

## STACKABLE ICE CUBER

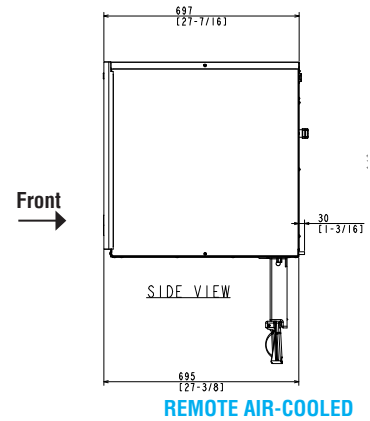
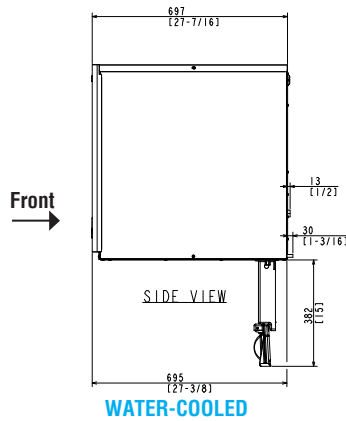
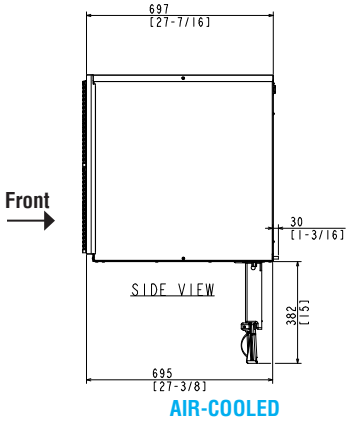


KM-3101S\_H(3)  
03/30/17  
Item # 13232

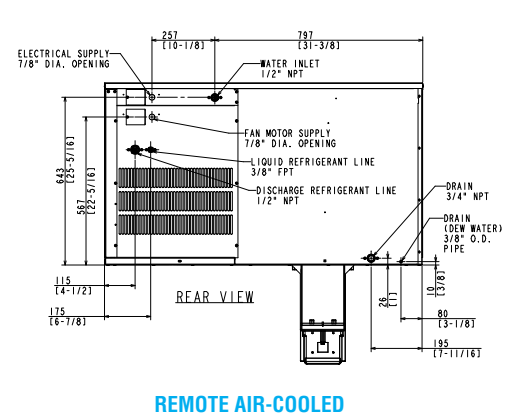
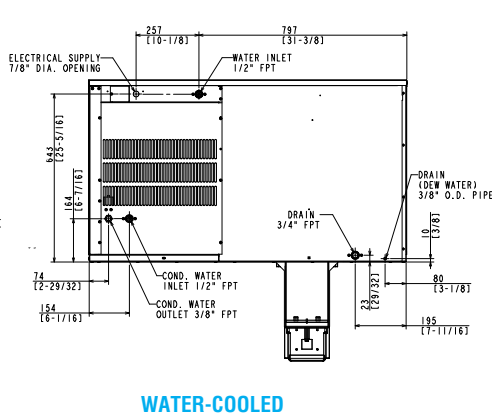
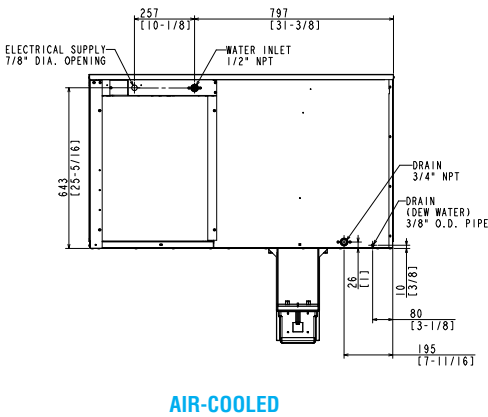
FRONT VIEW



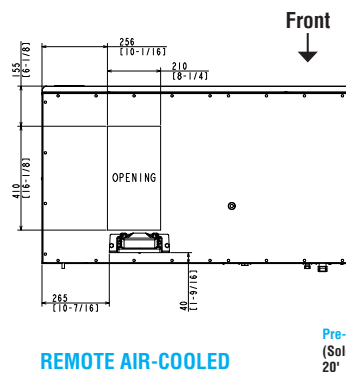
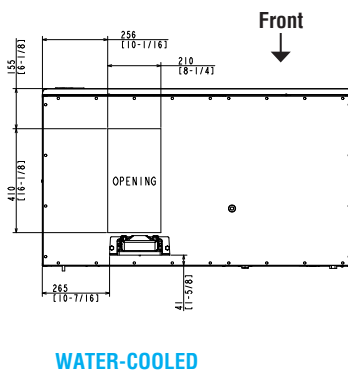
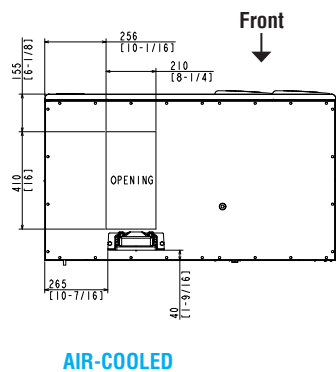
SIDE VIEW



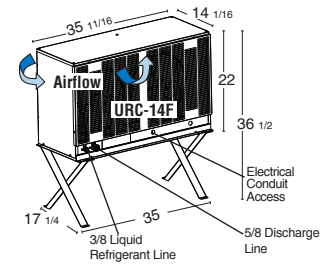
BACK VIEW



BOTTOM VIEW



**URC-14F Remote Condenser (Sold Separately)**  
For Use with KM-1301SRH(3)



Pre-Charged Tubing Kits  
(Sold Separately)  
20' R404-2068-2  
35' R404-3568-2  
55' R404-5568-2



Voltage supply for the URC Remote Condenser is supplied from the Ice Maker. No additional circuit is required.