



IM-544SAK

STACKABLE SQUARE CUBER



IM-544SAK
02/18/26
Item # 13553K

W x D x H
44" x 27⁵/₈" x 21³/₄"*

IM-544SAK

Air-Cooled

Shown on optional bin B-700




Stack up to 3 units high for 2x and 3x ice production.



Item #: _____
Project: _____
Qty: _____
AIA#: _____

Features

- ▶ Individual square cubes
- ▶ Durable stainless steel exterior
- ▶ Environmentally friendly R290 hydrocarbon refrigerant
- ▶ Stackable for up to three times the ice production in the same floor space

- Up to 453 lbs. of ice production per 24 hours
- Stack 2 units high for 453 x 2 = 906 lbs. per 24 hours for 2 times the ice production in the same floor space (Stacking kit: HS-5530 required)
- Stack 3 units high for 453 x 3 = 1359 lbs. per 24 hours for 3 times the ice production in the same floor space (Two stacking kits: HS-5530 required)
- EverCheck™ alert system 

Available on Bins:

B-700 B-900 B-1300 B-1650
B-800 B-1150 B-1500

Top kit may be required. See Top Kit Matrix
Not recommended for use on large upright bins.

Warranty:

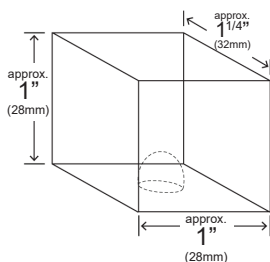
3 Year Parts & Labor on entire machine. 5 Year Parts on Compressor; air-cooled condenser coil.
Valid in United States, Canada, Puerto Rico and U.S. Territories. Contact factory for warranty in other countries.

Shipping: (LxWxH) 48" x 32" X 27.9" **Volume: 24.8ft³**



Condenser	Model	ICE PRODUCTION			WATER USAGE			ELECTRICAL					
		Air / Water Temp Lbs. per 24 hours 70°/ 50°F 90°/ 70°F	Heat Rejection BTU/hr.	Potable Gal. per 100 lbs. 90°/ 70°F	Condenser Gal. per 100 lbs. 90°/ 70°F	kWh Used per 100 lbs. 90°/ 70°F	Min. Circuit/ Max. Fuse Size	Amperage	Voltage	Circuit Wires (including ground)	Charge Amount	Net / Ship Weight (lbs.)	
Air	IM-500SAB (Single Unit)	453	389	1,900	19.0	N/A	5.77	20A	10.8A	115V/60/1	3	4.9oz	196 / 234
Air	IM-500SAB (Stacked 2X)	906	778	3,800	Note: each additional unit must have a dedicated electrical and water line.								
Air	IM-500SAB (Stacked 3X)	1359	1167	5,700									

IM Cube Dimensions†



† approximate size; image not to scale

Operating Limits

- Ambient Temp Range 45 - 100°F
- Water Temp Range 45 - 90°F
- Water Pressure 10 - 113 PSIG
- Voltage Range 108 - 127V
- If GFCI is required, a GFCI breaker MUST be used in lieu of GFCI receptacle

Service

- Removable/cleanable air filters on front and right side
- Panels easily removed and all components accessible for service.

Plumbing

- Icemaker Water Supply Line: Minimum 1/4" Nominal ID Copper Water Tubing or Equivalent
- Icemaker Drain Line: Minimum 3/4" Nominal ID Hard Pipe or Equivalent

Clearance

- Allow 6" clearance at rear, left side, top and 12" clearance at right side for proper air circulation and ease of maintenance/service.

Water Filter

Please refer to water filter specification sheet for recommendations.

Hoshizaki reserves the right to change specifications without notice.

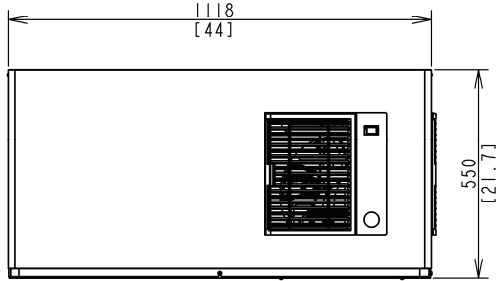


IM-544SAK

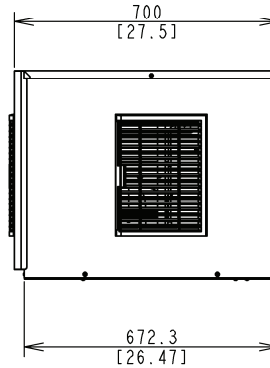
STACKABLE SQUARE CUBER

IM-544SAK
02/18/26
Item # 13553K

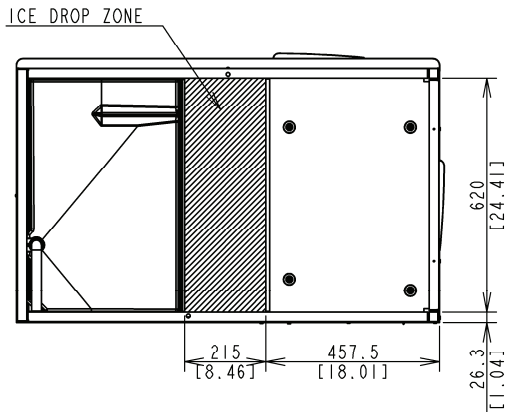
FRONT VIEW



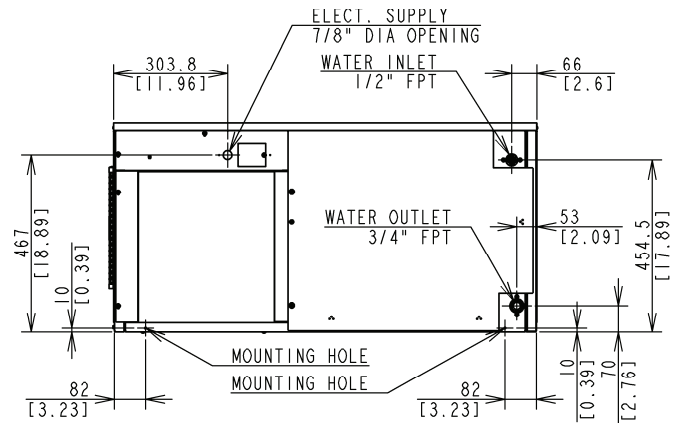
SIDE VIEW



BOTTOM VIEW

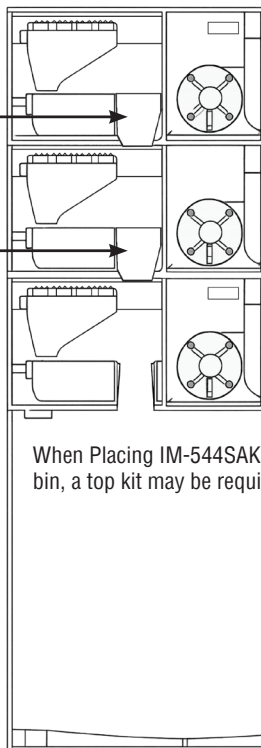


REAR VIEW



Stacking Kit
HS-5530

Stacking Kit
HS-5530



When stacking more than one IM-544SAK, Stacking Kit HS-5530 is required.

HS-5530 will provide the chute and connection bracket to secure a 2nd and 3rd ice machine.

For HS Kit installation instructions please reference the instructions included with the kit.

Bin Top Kit HS-XXXX

When Placing IM-544SAK on a bin, a top kit may be required.

Bin	Bin Kit
48" Width, B-800	HS-2032
48" Width, B-1150, B-1300	HS-5397
52" Width, B-900	HS-2033
60" Width, B-1500, B-1650	HS-5397
*Please reference the Top Kit Matrix for most up to date information.	