



# FS-1500MLH-C


## SERENITY SERIES CUBELET ICE MACHINE



FS-1500MLH-C  
03/31/16  
Item # 13282

Item #: \_\_\_\_\_  
Project: \_\_\_\_\_  
Qty: \_\_\_\_\_  
AIA#: \_\_\_\_\_

### Features

- ▶ Durable stainless steel exterior
- ▶ Advanced CleanCycle24™ design 
- ▶ Stainless steel auger with greaseless bearing

- Up to 1491 lbs. of ice production per 24 hours
- Durable stainless steel exterior
- EverCheck™ alert system
- Less heat in the kitchen
- Minimized noise
- 2 second flush cycle every hour
- Flush cycle removes sediment for cleaner ice
- Slim depth - easier to clean dispenser
- Front and back serviceability
- R-404A Refrigerant

#### Warranty:

3 Year Parts & Labor on entire machine. 5 Year Parts on Compressor; air-cooled condenser coil. Valid in United States, Canada, Puerto Rico and U.S. Territories. Contact factory for warranty in other countries.

**W x D x H**  
30" x 16 1/2" x 33"

**Installation Dimension\***  
SRC-14H  
35 7/10" x 25 3/8" x 37"  
\*Dimensions include legs

**Actual Dimension**  
SRC-14H  
35 7/10" x 25 3/8" x 22"



**FS-1500MLH-C**  
Remote Air-Cooled  
Shown

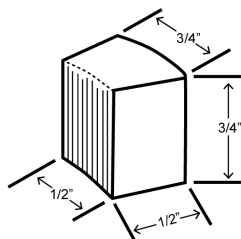


Condenser	Model	ICE PRODUCTION		WATER USAGE		ELECTRICAL			Heat Rejection BTU/hr.	Shipping Weight	ENERGY STAR®		
		Air / Water Temp Lbs. per 24 hours 70°/ 50°F 90°/ 70°F	Type of Ice (Hardness Rating)	Potable Gal. per 100 lbs. 90°/ 70°F	Condenser Gal. per 100 lbs. 90°/ 70°F	kWh Used per 100 lbs. 90°/ 70°F	Max. Fuse Size or HACR Circuit Breaker	Amperage				Voltage	
Remote Air-Cooled	FS-1500MLH-C	1491	1165	Cubelet (80)	12.0	N/A	4.51	15A	15A	120V/60/1 *	1400	222 lbs.	

\* Voltage supply for FS Ice Maker is supplied from the SRC Remote Condenser

Condenser	Model	LINE SETS - PRE-CHARGED			TEMP RANGE	ELECTRICAL			Heat Rejection BTU/hr.	Shipping Weight	ENERGY STAR®	
		20' Length	35' Length	55' Length	Ambient (Outdoor Use)	Voltage Range	Max. Fuse Size or HACR Circuit Breaker	Amperage				Voltage
Remote	SRC-14H	R404-20610	R404-35610	R404-55610	-4 - 122°	187-253VAC	20A	20A	208-230V/60/1	17,700	235 lbs.	

### Cubelet Cube Dimensions\*



\* approximate size in inches, image not to scale

### Operating Limits FS-1500MLH-C

- Ambient Temp Range 45 - 100°F
- Water Temp Range 45 - 90°F
- Water Pressure 10 - 113 PSIG
- Voltage Range 187-253V\*

\* Voltage supply for FS Ice Maker is supplied from the SRC Remote Condenser

### Service FS-1500MLH-C

- Allow 6" (15 cm) clearance at rear, sides, and top for proper air circulation and ease of maintenance/service.
- Allow 24" (61 cm) clearance on left side for removal of cube guides
- Panels easily removed and all components accessible for service.

### Plumbing FS-1500MLH-C

- Icemaker Water Supply Line: Minimum 1/4" Nominal ID Copper Water Tubing or Equivalent
- Icemaker Drain Line: Minimum 3/4" Nominal ID Hard Pipe or Equivalent

### Service- SRC-14H

- Allow 24" (61 cm) clearance in both front and rear for proper air circulation and ease of maintenance/service.
- For best performance the Remote Condenser should not be more than 33 feet above the icemaker or no more than 10 feet below it. These distances are measure from fitting to fitting.



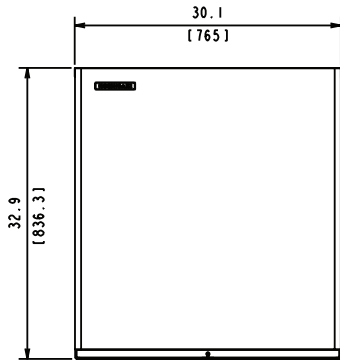
# FS-1500MLH-C

## SERENITY SERIES CUBELET ICE MACHINE



FS-1500MLH-C  
03/31/16  
Item # 13282

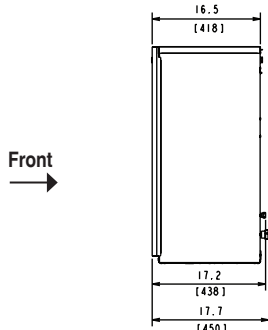
FRONT VIEW



inches  
[mm]

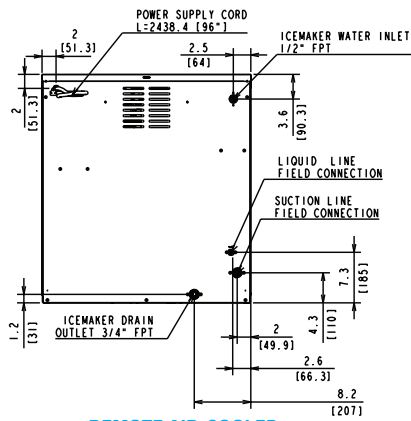
REMOTE AIR-COOLED

SIDE VIEW



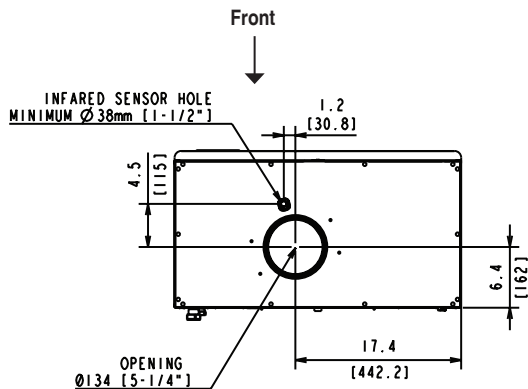
REMOTE AIR-COOLED

REAR VIEW



REMOTE AIR-COOLED

BOTTOM VIEW



REMOTE AIR-COOLED

**SRC-14H Remote Condenser (Sold Separately)**

(W x D x H) 35<sup>7/10</sup> x 25<sup>3/8</sup> x 37

For Use with FS-1500MLH-C



**Pre-Charged Tubing Kits**

(Sold Separately)

20' R404-20610

35' R404-35610

55' R404-55610

Voltage supply for the FS Ice Maker

is supplied from the SRC Remote Condenser.

