



Register Online!
(see page 2)

S'inscrire en ligne!
(voir page 25)

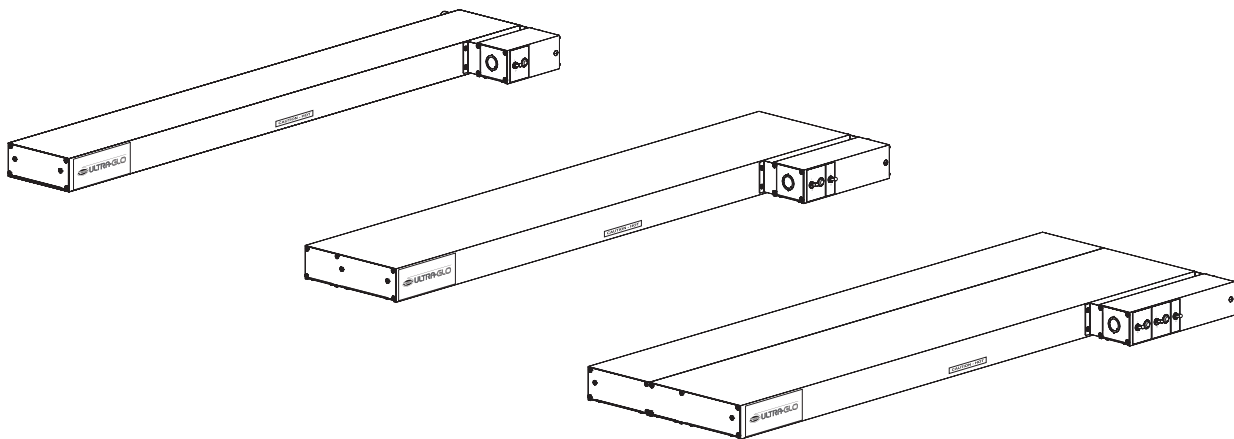


Ultra-Glo®

Ceramic Infrared Strip Heaters Rampes chauffantes en céramique à infrarouge

UGA, UGAL, UGAD, and UGADL Series/Série

Installation and Operating Manual Manuel d'installation et d'utilisation



⚠ WARNING

Do not operate this equipment unless you have read and understood the contents of this manual! Failure to follow the instructions contained in this manual may result in serious injury or death. This manual contains important safety information concerning the maintenance, use, and operation of this product. If you're unable to understand the contents of this manual, please bring it to the attention of your supervisor. Keep this manual in a safe location for future reference.

English = p 2

⚠ ADVERTENCIA

No opere este equipo al menos que haya leído y comprendido el contenido de este manual! Cualquier falla en el seguimiento de las instrucciones contenidas en este manual puede resultar en un serio lesión o muerte. Este manual contiene importante información sobre seguridad concerniente al mantenimiento, uso y operación de este producto. Si usted no puede entender el contenido de este manual por favor pregunte a su supervisor. Almacenar este manual en una localización segura para la referencia futura.

⚠ AVERTISSEMENT

Ne pas utiliser cet équipement sans avoir lu et compris le contenu de ce manuel ! Le non-respect des instructions contenues dans ce manuel peut entraîner de graves blessures ou la mort. Ce manuel contient des informations importantes concernant l'entretien, l'utilisation et le fonctionnement de ce produit. Si vous ne comprenez pas le contenu de ce manuel, veuillez le signaler à votre supérieur. Conservez ce manuel dans un endroit sûr pour pouvoir vous y référer plus tard.

Français = p 25

Important Owner Information	2	Operation	20
Introduction	2	General.....	20
Important Safety Information	3	Maintenance	21
Model Designation	4	General.....	21
Model Description	4	Daily Cleaning.....	21
Specifications	5	Replacing Display Light Bulbs.....	21
Electrical Rating Charts.....	5	Troubleshooting Guide	22
Dimensions.....	13	Options and Accessories	23
Installation	14	Limited Warranty	24
General.....	14		
Recommended Mounting Heights.....	15		
Minimum Clearance Requirements.....	15		
Undershelf Mounting.....	16		
Permanent Surface Mount.....	17		
Overhead Mounting.....	18		
Electrical Information.....	18		

IMPORTANT OWNER INFORMATION

Record the model number, serial number, voltage, and purchase date of the unit in the spaces below (specification label on underside of unit). Please have this information available when calling Hatco® for service assistance.

Model No. _____

Serial No. _____

Voltage _____

Date of Purchase _____

Business Hours: 7:00 AM to 5:00 PM Monday–Friday, Central Time (CT) (Summer Hours: June to September—7:00 AM to 5:00 PM Monday–Thursday 7:00 AM to 4:00 PM Friday)

Telephone: 414-671-6350

E-mail: support@hatcocorp.com



24 Hour 7 Day Parts and Service Assistance available in the United States and Canada by calling 414-671-6350.

Additional information can be found by visiting our web site at www.hatcocorp.com.

Register your unit!

- Completing online warranty registration will prevent delay in obtaining warranty coverage. Access the Hatco website at www.hatcocorp.com, select the Support pull-down menu, and click on "Warranty".

INTRODUCTION

Hatco Ultra-Glo® Ceramic Strip Heaters ensure maximum food holding and minimize the risk of food-borne illness. Optimum safety and quality is the result of food held at the proper serving temperatures using Ultra Glo's pre-focused heat patterns. The pre-focused heat pattern prevents foods from being over-cooked in the middle and cooling off around the edges by concentrating higher temperatures to the outer edges of holding surfaces where heat loss is the greatest. Utilizing specially designed reflectors to direct the heat from the element, Ultra-Glo Ceramic Strip Heaters safely maintain peak serving temperatures longer without cooking the food beyond the point of excellence. The ceramic element heat output allows the units to be mounted at increased heights for improved working clearances.

Ultra-Glo Ceramic Strip Heaters are available from the factory with or without shatter-resistant display lights to illuminate the warming area. These bulbs have a special coating that guards against injury and food contamination in the event of breakage.

Ultra-Glo Ceramic Strip Heaters are a product of extensive research and field testing. The materials used were selected for maximum durability, attractive appearance, and optimum performance. Every unit is inspected and tested thoroughly prior to shipment.

This manual provides the installation, safety, and operating instructions for Ultra-Glo Ceramic Strip Heaters. Hatco recommends all installation, operating, and safety instructions appearing in this manual be read prior to installation or operation of the strip heaters.

Safety information that appears in this manual is identified by the following signal word panels:



WARNING indicates a hazardous situation which, if not avoided, could result in death or serious injury.



CAUTION indicates a hazardous situation which, if not avoided, could result in minor or moderate injury.



NOTICE is used to address practices not related to personal injury.



Read the following important safety information before using this equipment to avoid serious injury or death and to avoid damage to equipment or property.

⚠ WARNING

ELECTRIC SHOCK HAZARD:

- Unit must be installed by a qualified electrician. Installation must conform to all local electrical codes. Installation by unqualified personnel will void unit warranty and may lead to electric shock or burn, as well as damage to unit and/or its surroundings.
- Units supplied without an electrical cord and plug require a hardwired connection to on-site electrical system. Connection must be properly grounded and of correct voltage, size, and configuration for electrical specifications of unit. Contact a qualified electrician to determine and install proper electrical connection.
- Turn OFF power switch, turn off power at circuit breaker, and allow unit to cool before performing any cleaning, adjustments, or maintenance.
- DO NOT submerge or saturate with water. Unit is not waterproof. Do not operate if unit has been submerged or saturated with water.
- This unit is not “jet-proof” construction. Do not use jet-clean spray to clean this unit.
- Use only Genuine Hatco Replacement Parts when service is required. Failure to use Genuine Hatco Replacement Parts will void all warranties and may subject operators of the equipment to hazardous electrical voltage, resulting in electrical shock or burn. Genuine Hatco Replacement Parts are specified to operate safely in the environments in which they are used. Some aftermarket or generic replacement parts do not have the characteristics that will allow them to operate safely in Hatco equipment.

FIRE HAZARD:

- Do not install unit above or around combustible surfaces. Discoloration or combustion could occur. Unit must be installed in non-combustible surroundings only.
- Do not store or use gasoline or other flammable vapors or liquids in the vicinity of this or any other appliance.

Use only light bulbs that meet or exceed NSF standards and are specifically designed for food holding areas. Breakage of light bulbs not specially-coated could result in personal injury and/or food contamination.

Make sure all operators have been instructed on the safe and proper use of the unit.

This unit is not intended for use by children or persons with reduced physical, sensory, or mental capabilities. Ensure proper supervision of children and keep them away from unit.

This unit has no “user-serviceable” parts. If service is required on this unit, contact an Authorized Hatco Service Agent or contact the Hatco Service Department at 414-671-6350.

⚠ CAUTION

BURN HAZARD: Some exterior surfaces on unit will get hot. Avoid unnecessary contact with unit.

Ensure safe and proper operation. Refer to the “Minimum Clearance Requirements” listed in the INSTALLATION section of this manual.

NOTICE

Standard and approved manufacturing oils may smoke up to 30 minutes during initial startup. This is a temporary condition. Operate unit without food product until smoke dissipates.

Installation of two or more separate units with less than 3” (76 mm) between housings may result in premature failure of component parts. Failure to provide proper spacing may result in heat damage to electrical components.

Do not add a decorative soffit to hide a pass-through mounted strip heater. Premature failure of components due to excessive heat may occur.

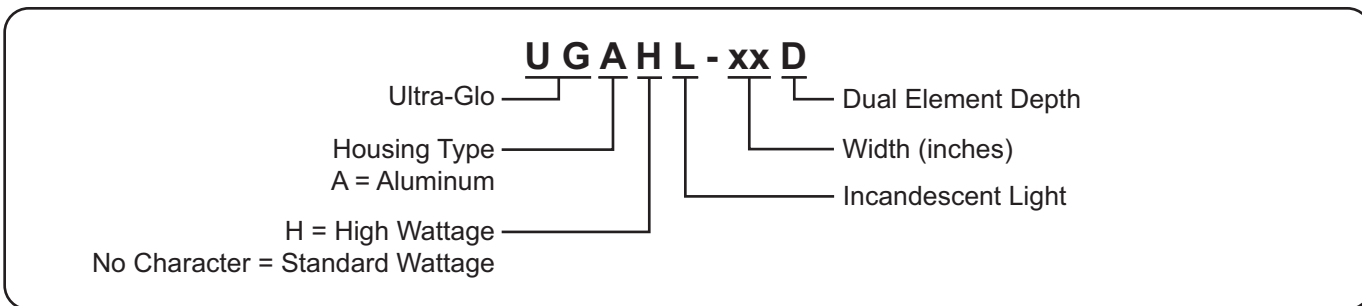
Do not conceal unit. Unit must be installed below lowest edge of a rolled or flanged shelf. Failure to mount unit properly may result in premature failure of switches and void product warranty.

Remote mounted control boxes must be installed outside strip heater heat zone to prevent premature failure of components due to excessive heat.

Damage to any countertop material caused by heat generated from Hatco equipment is not covered under the Hatco warranty. Contact manufacturer of countertop material for application information.

Do not locate unit in area with excessive air movement around unit. Avoid areas that may be subject to active air movements or currents (i.e., near exhaust fans/hoods, air conditioning ducts, and exterior doors).

Use non-abrasive cleaners and cloths only. Abrasive cleaners and cloths could scratch the finish of the unit, marring its appearance and making it susceptible to soil accumulation.



MODEL DESCRIPTION

Hatco® Ultra-Glo® Ceramic Strip Heaters keep hot foods at optimum serving temperatures longer. Foods do not dry out or become discolored; even the most delicate dishes hold that “just-prepared” look. The Ultra-Glo pre-focused heat pattern directs heat from a ceramic element to bathe the entire holding surface. The ceramic element heat output allows the units to be mounted at increased heights for improved working clearances.

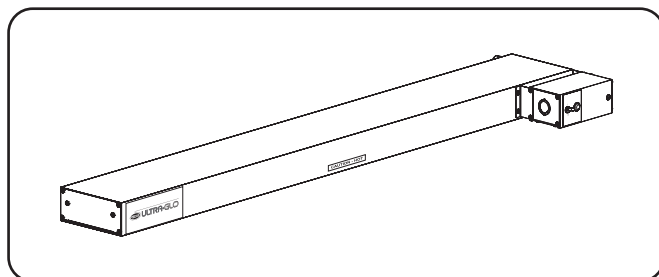
Ultra-Glo Ceramic Strip Heaters are constructed with aluminum housings in widths of 18” (457 mm) to 72” (1829 mm).

Dual models allow for side-by-side mounting of two heating elements to provide a deeper holding area (dual models are constructed with a standard 3” [76 mm] or optional 6” [152 mm] spacer between heating elements).

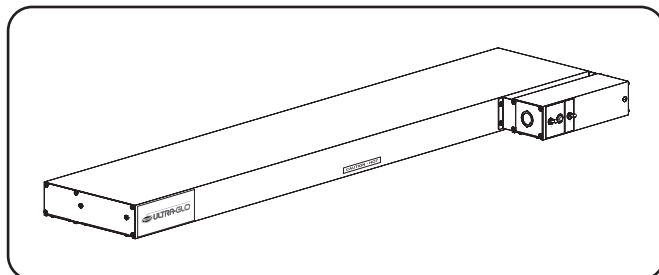
All Ultra-Glo Ceramic Strip Heaters have several mounting options and switch locations. Optional infinite control switches, electronic infinite control switches, remote control enclosures, incandescent lighting, and halogen lighting are available.

- UGA-xx:** Aluminum housing, single element depth
- UGAH-xx:** Aluminum housing, high wattage, single element depth
- UGAL-xx:** Aluminum housing, incandescent lights, single element depth
- UGAHL-xx:** Aluminum housing, high wattage, incandescent lights, single element depth
- UGA-xxD:** Aluminum housing, dual element depth
- UGAH-xxD:** Aluminum housing, high wattage, dual element depth
- UGAL-xxD:** Aluminum housing, incandescent lights, dual element depth
- UGAHL-xxD:** Aluminum housing, high wattage, incandescent lights, dual element depth

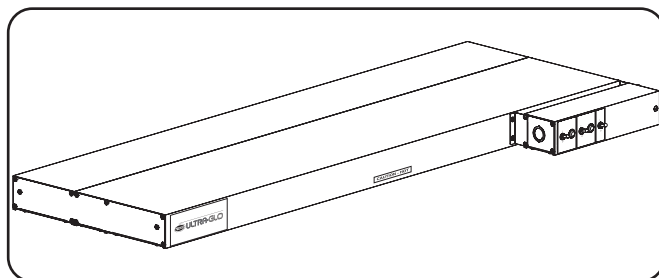
NOTE: Incandescent lights are not available for retrofit.



UGA-xx Model



UGAL-xx Model



UGAL-xxD Model, 76 mm (3") Spacer

Electrical Rating Chart — UGA Models

Model	Voltage	Watts	Amps	Shipping Weight *
UGA-18	120 V	500 W	4.2 A	9 lbs. (4 kg)
	208 V	490 W	2.4 A	
	220 V	546 W	2.5 A	
	240 V	500 W	2.1 A	
UGA-24	120 V	650 W	5.4 A	10 lbs. (5 kg)
	208 V	675 W	3.2 A	
	220 V	630 W	2.9 A	
	240 V	650 W	2.7 A	
UGA-30	120 V	750 W	6.3 A	11 lbs. (5 kg)
	208 V	840 W	4.0 A	
	220 V	756 W	3.4 A	
	240 V	900 W	3.8 A	
UGA-36	120 V	1000 W	8.3 A	12 lbs. (5 kg)
	208 V	980 W	4.7 A	
	220 V	1092 W	5.0 A	
	240 V	1000 W	4.2 A	
UGA-42	120 V	1000 W	8.3 A	13 lbs. (6 kg)
	208 V	1120 W	5.4 A	
	220 V	1260 W	5.7 A	
	240 V	1200 W	5.0 A	
UGA-48	120 V	1500 W	12.5 A	14 lbs. (6 kg)
	208 V	1470 W	7.1 A	
	220 V	1638 W	7.4 A	
	240 V	1500 W	6.3 A	
UGA-54	208 V	1470 W	7.1 A	16 lbs. (7 kg)
	220 V	1639 W	7.4 A	
	240 V	1500 W	6.3 A	
UGA-60	208 V	1960 W	9.4 A	17 lbs. (8 kg)
	220 V	2185 W	9.9 A	
	240 V	2000 W	8.3 A	
UGA-66	208 V	1960 W	9.4 A	19 lbs. (9 kg)
	220 V	2185 W	9.9 A	
	240 V	2000 W	8.3 A	
UGA-72	208 V	1960 W	9.4 A	20 lbs. (9 kg)
	220 V	2520 W	11.5 A	
	240 V	2000 W	8.3 A	

* Add 2–8 lbs. (1–3 kg) to shipping weight depending on size of remote control enclosure.

Electrical Rating Chart — UGAH Models

Model	Voltage	Watts	Amps	Shipping Weight *
UGAH-18	120 V	650 W	5.4 A	9 lbs. (4 kg)
	208 V	675 W	3.2 A	
	220 V	630 W	2.9 A	
	240 V	650 W	2.7 A	
UGAH-24	120 V	750 W	6.3 A	10 lbs. (5 kg)
	208 V		3.6 A	
	220 V	756 W	3.4 A	
	240 V	750 W	3.1 A	
UGAH-30	120 V	1125 W	9.4 A	11 lbs. (5 kg)
	208 V		5.4 A	
	220 V	945 W	4.3 A	
	240 V	1125 W	4.7 A	
UGAH-36	120 V	1300 W	10.8 A	12 lbs. (5 kg)
	208 V	1350 W	6.5 A	
	220 V	1260 W	5.7 A	
	240 V	1300 W	5.4 A	
UGAH-42	120 V	1500 W	12.5 A	13 lbs. (6 kg)
	208 V		7.2 A	
	220 V	1680 W	7.6 A	
	240 V	1500 W	6.3 A	
UGAH-48	208 V	2025 W	9.7 A	14 lbs. (6 kg)
	220 V	1860 W	8.6 A	
	240 V	1950 W	8.1 A	
UGAH-54	208 V	2250 W	10.8 A	16 lbs. (7 kg)
	220 V	2268 W	10.3 A	
	240 V	2250 W	9.4 A	
UGAH-60	208 V	2700 W	13.0 A	17 lbs. (8 kg)
	220 V	2520 W	11.5 A	
	240 V	2600 W	10.8 A	
UGAH-66	208 V	2700 W	13.0 A	19 lbs. (9 kg)
	220 V	2520 W	11.5 A	
	240 V	2600 W	10.8 A	
UGAH-72	208 V	3000 W	14.4 A	20 lbs. (9 kg)
	220 V	3025 W	13.8 A	
	240 V	3000 W	12.5 A	

* Add 2–8 lbs. (1–3 kg) to shipping weight depending on size of remote control enclosure.

Electrical Rating Chart — UGAL Models

Model	Voltage	Watts	Amps	Shipping Weight *
UGAL-18	120 V	560 W	4.7 A	12 lbs. (5 kg)
	120/208 V	550 W	2.9 A	
	120/240 V	560 W	2.6 A	
UGAL-24	120 V	770 W	6.4 A	13 lbs. (6 kg)
	120/208 V	795 W	4.2 A	
	120/240 V	770 W	3.7 A	
UGAL-30	120 V	870 W	7.3 A	15 lbs. (7 kg)
	120/208 V	960 W	5.0 A	
	120/240 V	1020 W	4.8 A	
UGAL-36	120 V	1180 W	9.8 A	17 lbs. (8 kg)
	120/208 V	1160 W	6.2 A	
	120/240 V	1180 W	5.7 A	
UGAL-42	120 V	1180 W	9.8 A	18 lbs. (8 kg)
	120/208 V	1300 W	6.9 A	
	120/240 V	1380 W	6.5 A	
UGAL-48	120 V	1740 W	14.5 A	20 lbs. (9 kg)
	120/208 V	1710 W	9.1 A	
	120/240 V	1740 W	8.3 A	
UGAL-54	120/208 V	1710 W	9.1 A	22 lbs. (10 kg)
	120/240 V	1740 W	8.3 A	
UGAL-60	120/208 V	2260 W	11.9 A	23 lbs. (10 kg)
	120/240 V	2300 W	10.8 A	
UGAL-66	120/208 V	2260 W	11.9 A	25 lbs. (11 kg)
	120/240 V	2300 W	10.8 A	
UGAL-72	120/208 V	2320 W	12.4 A	27 lbs. (12 kg)
	120/240 V	2360 W	11.3 A	

* Add 2–8 lbs. (1–3 kg) to shipping weight depending on size of remote control enclosure.

Electrical Rating Chart — UGAHL Models

Model	Voltage	Watts	Amps	Shipping Weight *
UGAHL-18	120 V	710 W	5.9 A	12 lbs. (5 kg)
	120/208 V	735 W	3.7 A	
	120/240 V	710 W	3.2 A	
UGAHL-24	120 V	870 W	7.3 A	13 lbs. (6 kg)
	120/208 V		4.6 A	
	120/240 V		4.1 A	
UGAHL-30	120 V	1245 W	10.4 A	15 lbs. (7 kg)
	120/208 V		6.4 A	
	120/240 V		5.7 A	
UGAHL-36	120 V	1480 W	12.3 A	17 lbs. (8 kg)
	120/208 V	1530 W	8.0 A	
	120/240 V	1480 W	6.9 A	
UGAHL-42	120 V	1680 W	14.0 A	18 lbs. (8 kg)
	120/208 V		8.7 A	
	120/240 V		7.8 A	
UGAHL-48	120/208 V	2265 W	11.7 A	20 lbs. (9 kg)
	120/240 V	2190 W	10.1 A	
UGAHL-54	120/208 V	2490 W	12.8 A	22 lbs. (10 kg)
	120/240 V		11.4 A	
UGAHL-60	120/208 V †	3000 W	15.5 A	23 lbs. (10 kg)
	120/240 V	2900 W	13.3 A	
UGAHL-66	120/208 V †	3000 W	15.5 A	25 lbs. (11 kg)
	120/240 V	2900 W	13.3 A	
UGAHL-72	120/208 V †	3360 W	17.4 A	27 lbs. (12 kg)
	120/240 V †		15.5 A	

* Add 2–8 lbs. (1–3 kg) to shipping weight depending on size of remote control enclosure.

† Requires Remote Control Enclosure with a fuse.

Electrical Rating Chart — UGA-xxD Models

Model	Voltage	Total Watts	Circuit	Circuit Watts	Circuit Amps	Shipping Weight *
UGA-18D	120 V	1000 W	1	1000 W	8.3 A	17 lbs. (8 kg)
	208 V	980 W		980 W	4.7 A	
	240 V	1000 W		1000 W	4.2 A	
UGA-24D	120 V	1300 W	1	1300 W	10.8 A	19 lbs. (9 kg)
	208 V	1350 W		1350 W	6.5 A	
	240 V	1300 W		1300 W	5.4 A	
UGA-30D	120 V	1500 W	1	1500 W	12.5 A	21 lbs. (10 kg)
	208 V	1680 W		1680 W	8.1 A	
	240 V	1800 W		1800 W	7.5 A	
UGA-36D	208 V	1960 W	1	1960 W	9.4 A	24 lbs. (11 kg)
	240 V	2000 W		2000 W	8.3 A	
UGA-42D	208 V	2240 W	1	1120 W	5.4 A	27 lbs. (12 kg)
			2	1120 W	5.4 A	
	240 V	2400 W	1	1200 W	5.0 A	
			2	1200 W	5.0 A	
UGA-48D (Left/Right Control)	208 V	2940 W	1	1960 W	9.4 A	30 lbs. (14 kg)
			2	980 W	4.7 A	
	240 V	3000 W	1	2000 W	8.3 A	
			2	1000 W	4.2 A	
UGA-48D (Front/Back Control)	208 V	2940 W	1	1470 W	7.1 A	30 lbs. (14 kg)
			2	1470 W	7.1 A	
	240 V	3000 W	1	1500 W	6.3 A	
			2	1500 W	6.3 A	
UGA-54D (Left/Right Control)	208 V	2940 W	1	1960 W	9.4 A	33 lbs. (15 kg)
			2	980 W	4.7 A	
	240 V	3000 W	1	2000 W	8.3 A	
			2	1000 W	4.2 A	
UGA-54D (Front/Back Control)	208 V	2940 W	1	1470 W	7.1 A	33 lbs. (15 kg)
			2	1470 W	7.1 A	
	240 V	3000 W	1	1500 W	6.3 A	
			2	1500 W	6.3 A	
UGA-60D	208 V	3920 W	1	1960 W	9.4 A	37 lbs. (17 kg)
			2	1960 W	9.4 A	
	240 V	4000 W	1	2000 W	8.3 A	
			2	2000 W	8.3 A	
UGA-66D	208 V	3920 W	1	1960 W	9.4 A	40 lbs. (18 kg)
			2	1960 W	9.4 A	
	240 V	4000 W	1	2000 W	8.3 A	
			2	2000 W	8.3 A	
UGA-72D	208 V	3920 W	1	1960 W	9.4 A	44 lbs. (20 kg)
			2	1960 W	9.4 A	
	240 V	4000 W	1	2000 W	8.3 A	
			2	2000 W	8.3 A	

* Add 2–8 lbs. (1–3 kg) to shipping weight depending on size of remote control enclosure.

Electrical Rating Chart — UGAH-xxD Models

Model	Voltage	Total Watts	Circuit	Circuit Watts	Circuit Amps	Shipping Weight *
UGAH-18D	120 V	1300 W	1	1300 W	10.8 A	17 lbs. (8 kg)
	208 V	1350 W		1350 W	6.5 A	
	240 V	1300 W		1300 W	5.4 A	
UGAH-24D	120 V	1500 W	1	1500 W	12.5 A	19 lbs. (9 kg)
	208 V				7.2 A	
	240 V				6.3 A	
UGAH-30D	208 V	2250 W	1	2250 W	10.8 A	21 lbs. (10 kg)
	240 V				9.4 A	
UGAH-36D	208 V	2700 W	1	2700 W	13.0 A	24 lbs. (11 kg)
	240 V	2600 W		2600 W	10.8 A	
UGAH-42D	208 V	3000 W	1	1500 W	7.2 A	27 lbs. (12 kg)
			2	1500 W	7.2 A	
	240 V	3000 W	1	1500 W	6.3 A	
			2	1500 W	6.3 A	
UGAH-48D (Left/Right Control)	208 V	4050 W	1	2700 W	13.0 A	30 lbs. (14 kg)
			2	1350 W	6.5 A	
	240 V	3900 W	1	2600 W	10.8 A	
			2	1300 W	5.4 A	
UGAH-48D (Front/Back Control)	208 V	4050 W	1	2025 W	9.7 A	30 lbs. (14 kg)
			2	2025 W	9.7 A	
	240 V	3900 W	1	1950 W	8.1 A	
			2	1950 W	8.1 A	
UGAH-54D (Left/Right Control)	208 V	4500 W	1	3000 W	14.4 A	33 lbs. (15 kg)
			2	1500 W	7.2 A	
	240 V	4500 W	1	3000 W	12.5 A	
			2	1500 W	6.3 A	
UGAH-54D (Front/Back Control)	208 V	4500 W	1	2250 W	10.8 A	33 lbs. (15 kg)
			2	2250 W	10.8 A	
	240 V	4500 W	1	2250 W	9.4 A	
			2	2250 W	9.4 A	
UGAH-60D	208 V	5400 W	1	2700 W	13.0 A	37 lbs. (17 kg)
			2	2700 W	13.0 A	
	240 V	5200 W	1	2600 W	10.8 A	
			2	2600 W	10.8 A	
UGAH-66D	208 V	5400 W	1	2700 W	13.0 A	40 lbs. (18 kg)
			2	2700 W	13.0 A	
	240 V	5200 W	1	2600 W	10.8 A	
			2	2600 W	10.8 A	
UGAH-72D	208 V	6000 W	1	3000 W	14.4 A	44 lbs. (20 kg)
			2	3000 W	14.4 A	
	240 V	6000 W	1	3000 W	12.5 A	
			2	3000 W	12.5 A	

* Add 2–8 lbs. (1–3 kg) to shipping weight depending on size of remote control enclosure.

Electrical Rating Chart — UGAL-xxD Models

Model	Voltage	Total Watts	Circuit	Circuit Watts	Circuit Amps	Shipping Weight *
UGAL-18D	120 V	1060 W	1	1060 W	8.8 A	17 lbs. (8 kg)
	120/208 V	1040 W		1040 W	5.2 A	
	120/240 V	1060 W		1060 W	4.7 A	
UGAL-24D	120 V	1420 W	1	1420 W	11.8 A	19 lbs. (9 kg)
	120/208 V	1470 W		1470 W	7.5 A	
	120/240 V	1420 W		1420 W	6.4 A	
UGAL-30D	120 V	1620 W	1	1620 W	13.5 A	21 lbs. (10 kg)
	120/208 V	1800 W		1800 W	9.1 A	
	120/240 V	1920 W		1920 W	8.5 A	
UGAL-36D	120/208 V	2140 W	1	2140 W	10.9 A	24 lbs. (11 kg)
	120/240 V	2180 W		2180 W	9.8 A	
UGAL-42D	120/208 V	2420 W	1	1120 W	5.4 A	27 lbs. (12 kg)
			2	1300 W	6.9 A	
	120/240 V	2580 W	1	1200 W	5.0 A	
			2	1380 W	5.6 A	
UGAL-48D (Left/Right Control)	120/208 V	3180 W	1	1960 W	9.4 A	30 lbs. (14 kg)
			2	1220 W	6.7 A	
	120/240 V	3240 W	1	2000 W	8.3 A	
			2	1240 W	6.2 A	
UGAL-48D (Front/Back Control)	120/208 V	3180 W	1	1470 W	7.1 A	30 lbs. (14 kg)
			2	1710 W	9.1 A	
	120/240 V	3240 W	1	1500 W	6.3 A	
			2	1740 W	8.3 A	
UGAL-54D (Left/Right Control)	120/208 V	3180 W	1	1960 W	9.4 A	33 lbs. (15 kg)
			2	1220 W	6.7 A	
	120/240 V	3240 W	1	2000 W	8.3 A	
			2	1240 W	6.2 A	
UGAL-54D (Front/Back Control)	120/208 V	3180 W	1	1470 W	7.1 A	33 lbs. (15 kg)
			2	1710 W	9.1 A	
	120/240 V	3240 W	1	1500 W	6.3 A	
			2	1740 W	8.3 A	
UGAL-60D	120/208 V	4220 W	1	1960 W	9.4 A	37 lbs. (17 kg)
			2	2260 W	11.9 A	
	120/240 V	4300 W	1	2000 W	8.3 A	
			2	2300 W	10.8 A	
UGAL-66D	120/208 V	4220 W	1	1960 W	9.4 A	40 lbs. (18 kg)
			2	2260 W	11.9 A	
	120/240 V	4300 W	1	2000 W	8.3 A	
			2	2300 W	10.8 A	
UGAL-72D	120/208 V	4280 W	1	1960 W	9.4 A	44 lbs. (20 kg)
			2	2320 W	12.4 A	
	120/240 V	4360 W	1	2000 W	8.3 A	
			2	2360 W	11.3 A	

NOTE: Models that have multiple voltages listed, such as 120/208 or 120/240, have multiple internal circuits. For example, a 120/208 volt unit utilizes 120 volts for the light circuit and 208 volts for the heat circuit(s). Consult the Electrical Diagram supplied with the unit for specific information.

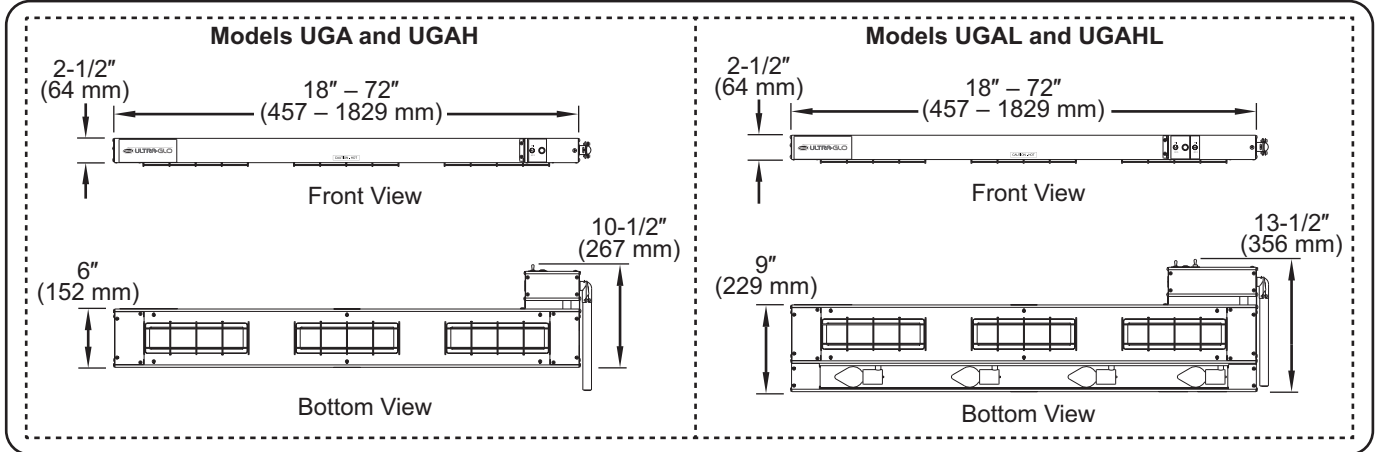
Electrical Rating Chart — UGAHL-xxD Models

Model	Voltage	Total Watts	Circuit	Circuit Watts	Circuit Amps	Shipping Weight *
UGAHL-18D	120 V	1360 W	1	1360 W	11.3 A	17 lbs. (8 kg)
	120/208 V	1410 W		1410 W	7.0 A	
	120/240 V	1360 W		1360 W	5.9 A	
UGAHL-24D	120 V	1620 W	1	1620 W	13.5 A	19 lbs. (9 kg)
	120/208 V				8.2 A	
	120/240 V				7.3 A	
UGAHL-30D	120/208 V	2370 W	1	2370 W	11.8 A	21 lbs. (10 kg)
	120/240 V				10.4 A	
UGAHL-36D	120/208 V	2880 W	1	2880 W	14.5 A	24 lbs. (11 kg)
	120/240 V	2780 W		2780 W	14.0 A	
UGAHL-42D	120/208 V	3180 W	1	1500 W	7.2 A	27 lbs. (12 kg)
			2	1680 W	8.7 A	
	120/240 V	3180 W	1	1500 W	6.3 A	
			2	1680 W	7.8 A	
UGAHL-48D (Left/Right Control)	120/208 V	4290 W	1	2700 W	13.0 A	30 lbs. (14 kg)
			2	1590 W	8.5 A	
	120/240 V	4140 W	1	2600 W	10.8 A	
			2	1540 W	7.5 A	
UGAHL-48D (Front/Back Control)	120/208 V	4290 W	1	2025 W	9.7 A	30 lbs. (14 kg)
			2	2265 W	11.7 A	
	120/240 V	4140v	1	1950 W	8.1 A	
			2	2190 W	10.1 A	
UGAHL-54D (Left/Right Control)	120/208 V	4740 W	1	3000 W	14.4 A	33 lbs. (15 kg)
			2	1740 W	9.2 A	
	120/240 V	4740 W	1	3000 W	12.5 A	
			2	1740 W	8.3 A	
UGAHL-54D (Front/Back Control)	120/208 V	4740 W	1	2250 W	10.8 A	33 lbs. (15 kg)
			2	2490 W	12.8 A	
	120/240 V	4740 W	1	2250 W	9.4 A	
			2	2490 W	11.4 A	
UGAHL-60D	120/208 V	5700 W	1	2700 W	13.0 A	37 lbs. (17 kg)
			2	3000 W	15.5 A	
	120/240 V	5500 W	1	2600 W	10.8 A	
			2	2900 W	13.3 A	
UGAHL-66D	120/208 V	5700 W	1	2700 W	13.0 A	40 lbs. (18 kg)
			2	3000 W	15.5 A	
	120/240 V	5500 W	1	2600 W	10.8 A	
			2	2900 W	13.3 A	
UGAHL-72D	120/208 V	6360 W	1	3000 W	14.4 A	44 lbs. (20 kg)
			2	3000 W	14.4 A	
			3	360 W	3.0 A	
	120/240 V	6360 W	1	3000 W	12.5 A	
			2	3360 W	15.5 A	

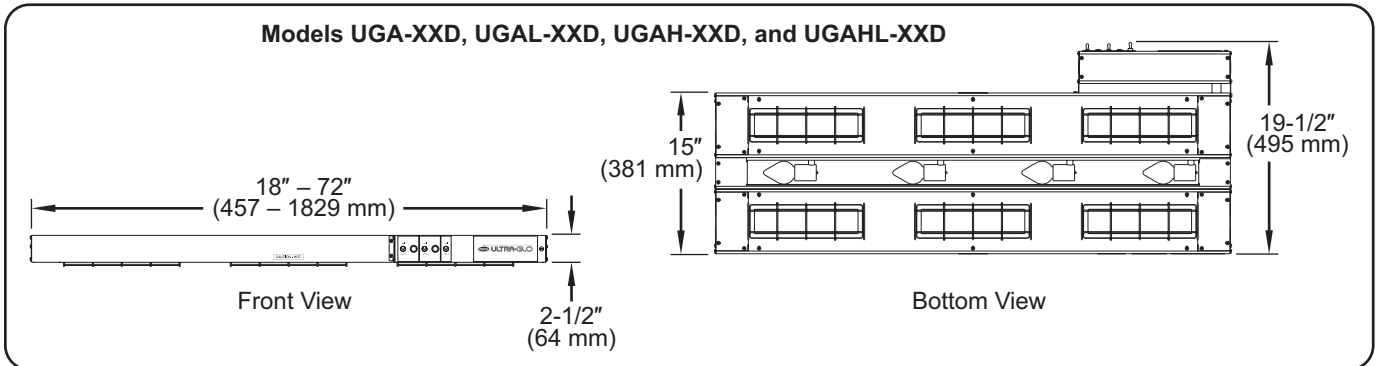
* Add 2–8 lbs. (1–3 kg) to shipping weight depending on size of remote control enclosure.

NOTE: Models that have multiple voltages listed, such as 120/208 or 120/240, have multiple internal circuits. For example, a 120/208 volt unit utilizes 120 volts for the light circuit and 208 volts for the heat circuit(s). Consult the Electrical Diagram supplied with the unit for specific information.

Dimensions — UGA, UGAH, UGAL, and UGAHL Models



Dimensions — UGA-xxD, UGAL-xxD, UGAH-xxD, and UGAHL-xxD Models



NOTE: Dimension shown is standard with 3" (76 mm) spacer; when used with 6" (152 mm) spacer, add 3" (76 mm) to the depth.

General

Use the information in this section to prepare for installation of the strip heater. Make sure to locate the specific information for the model of strip heater and type of installation. Ultra-Glo® Strip Heaters are shipped with most components pre-assembled. Dual units come with a required 3" (76 mm) or 6" (152 mm) spacer pre-assembled at the factory.

Optional mounting equipment and remote control enclosures must be installed on location.



WARNING

FIRE HAZARD: Do not install unit above or around combustible surfaces. Discoloration or combustion could occur. Unit must be installed in non-combustible surroundings only.



CAUTION

Ensure safe and proper operation. Refer to the "Minimum Clearance Requirements" listed in the INSTALLATION section of this manual.

NOTICE

Damage to any countertop material caused by heat generated from Hatco® equipment is not covered under the Hatco warranty. Contact manufacturer of countertop material for application information.

Do not add a decorative soffit to hide a pass-through mounted strip heater. Premature failure of components due to excessive heat may occur.

NOTE: Contact the countertop manufacturer of the base material for application information and surface temperature limits before installing the unit.

1. Remove the unit from the shipping carton and remove all packing materials.

NOTE: To prevent delay in obtaining warranty coverage, complete online warranty registration. See the IMPORTANT OWNER INFORMATION section for details.

2. Remove tape and protective packaging from all surfaces of the unit.

NOTE: If unit is equipped with optional equipment, see the OPTIONS AND ACCESSORIES section near the back of this manual.

3. Install/mount the unit in an appropriate location.
 - a. Verify recommended mounting heights and minimum clearance requirements are met for the appropriate model. Refer to "Recommended Mounting Heights" and "Minimum Clearance Requirements" in this section.
 - b. For angle bracket mounting installation, refer to "Undershelf Mounting" in this section.
 - c. For tubular stand mounting installation, refer to "Permanent Surface Mounting" in this section.
 - d. For overhead hanger post installation, refer to "Overhead Mounting" in this section.

Dual Mounting

When mounting units side-by-side, a space not less than 3" (76 mm) must be maintained between units. Dual units ordered from the factory are shipped with a pre-assembled 3" (76 mm) or 6" (152 mm) spacer.

NOTICE

Installation of two or more separate units with less than 3" (76 mm) between housings may result in premature failure of component parts. Failure to provide proper spacing may result in heat damage to electrical components.

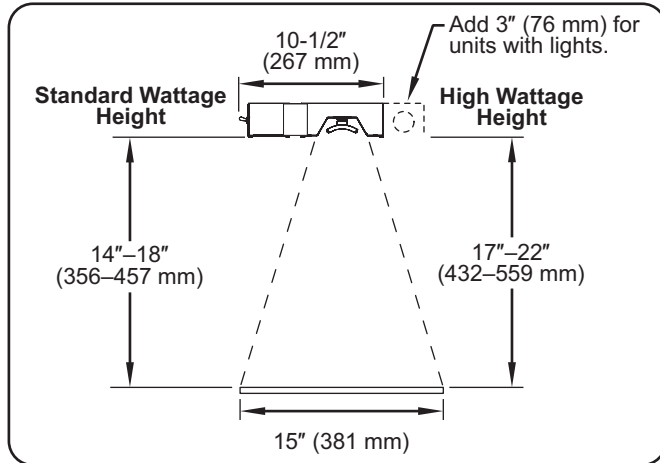
Under Shelf Mounting

When mounting a unit under a shelf, use adjustable angle brackets to assure proper spacing. Remote control enclosures are recommended to keep switches out of the heat zone and prevent premature failure.

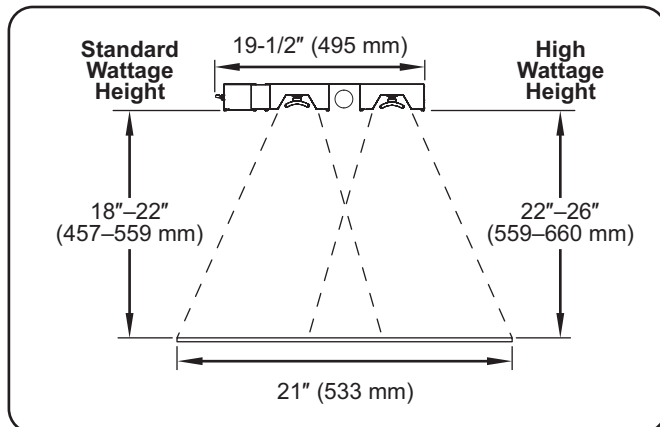
Pass-Through

If pass-through area is 12" to 16" (305 to 406 mm) deep, a single unit can be used. For a 20" to 24" (508 to 610 mm) deep pass-through area, a dual unit is recommended. Installation of multiple units must have a minimum spacing of 3" (76 mm) between heaters.

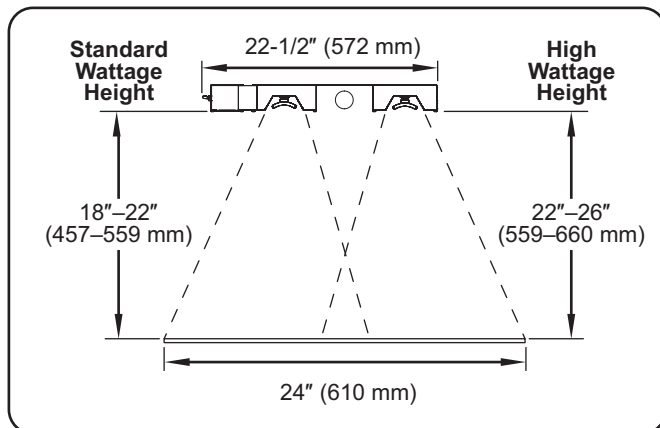
Recommended Mounting Heights



Recommended Mounting Height for all UGA single element depth models.



Recommended Mounting Height for all UGA dual element depth models with a 3" (76 mm) spacer.



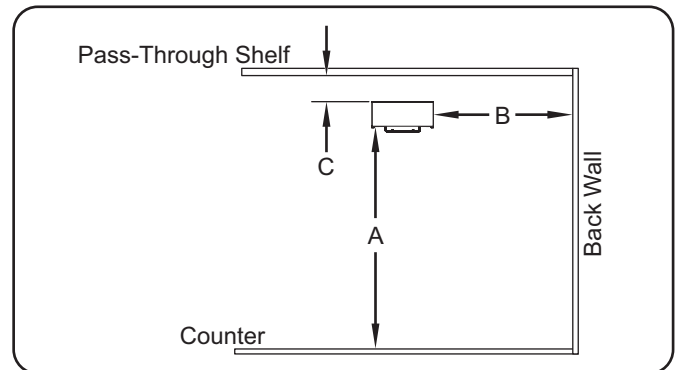
Recommended Mounting Height for all UGA dual element depth models with a 6" (152 mm) spacer.

Minimum Clearance Requirements



FIRE HAZARD: Do not install unit above or around combustible surfaces. Discoloration or combustion could occur. Unit must be installed in non-combustible surroundings only.

Models	A	B	C
UGA and UGAL	14" (356 mm)	3" (76 mm)	1" (25 mm)
UGAH and UGAHL	17" (432 mm)	3" (76 mm)	1" (25 mm)



Clearance Requirements

Undershelf Mounting

Undershelf mounting permanently attaches the unit to the underside of a shelf. It can be mounted to a flat shelf or a shelf with rolled/flanged edges using the included adjustable angle brackets. A minimum gap of 1" (25 mm) is required between the unit and the underside of the shelf to prevent heat damage to the electrical system of the unit.



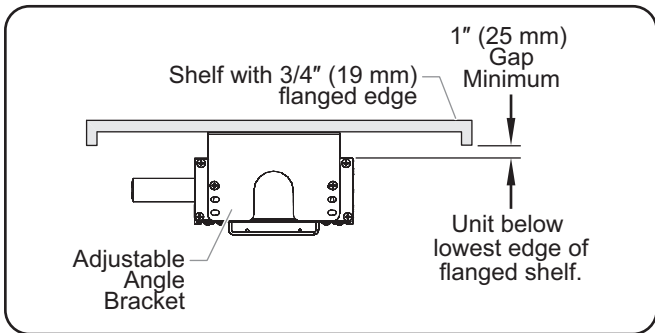
Ensure safe and proper operation. Refer to the "Minimum Clearance Requirements" listed in the INSTALLATION section of this manual.

NOTE: When mounting the unit under a shelf, it is recommended to use a remote control enclosure.

If the shelf has a rolled or flanged edge, use the appropriate screw hole locations on the adjustable angle brackets to mount the unit below the lowest edge of the rolled or flanged shelf. The adjustable angle brackets can provide a 1" (25 mm), 1-1/2" (38 mm), or 2" (51 mm) gap between the unit and the underside of the shelf.



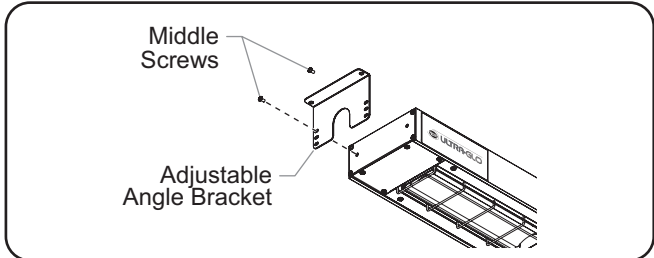
DO NOT conceal unit. Unit must be installed below lowest edge of a rolled or flanged shelf. Failure to mount unit properly may result in premature failure of switches and void the product warranty.



Flanged Shelf Installation

Adjustable Angle Bracket Mounting

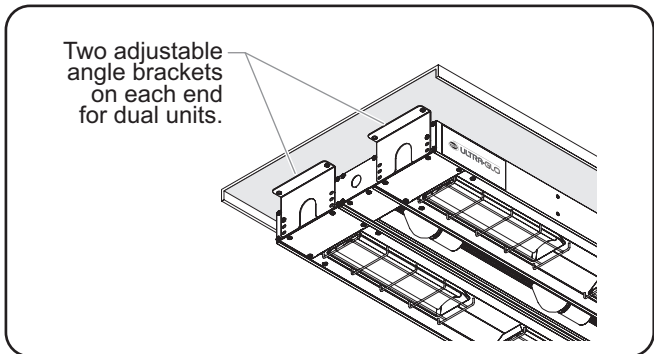
1. Position the unit on a flat surface with the heating elements facing down.
2. Remove the two middle screws from each end of the unit.
3. Align the appropriate holes on an adjustable angle bracket with the middle screw holes on one end of the unit. Secure the angle bracket using the removed middle screws.
4. Repeat step 3 for the opposite end of the unit.



Adjustable Angle Bracket Installation

5. Fasten the angle brackets to the underside of the shelf using appropriate fasteners (not supplied by Hatco®).

NOTE: Two pairs of brackets will be needed for dual units.



Dual Unit Mounting

Permanent Surface Mounting

Tubular stand mounting permanently attaches the unit to a countertop or serving table. All wiring may be concealed within one of the tubular stands.

CAUTION

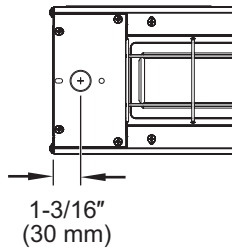
Ensure safe and proper operation. Refer to the “Minimum Clearance Requirements” listed in the **INSTALLATION** section of this manual.

The aluminum, non adjustable tubular stands are available in 1" (25 mm) increments from 14"–24" (356–610 mm).

NOTE: Tubular stands are not field retrofittable.

NOTE: If wiring is to be concealed, a 1" (25 mm) diameter hole must be provided in the mounting surface centered under the stand containing the wiring conduit.

Distance from end of unit to center of conduit hole.
Needed for 1" diameter hole cutout in mounting surface.



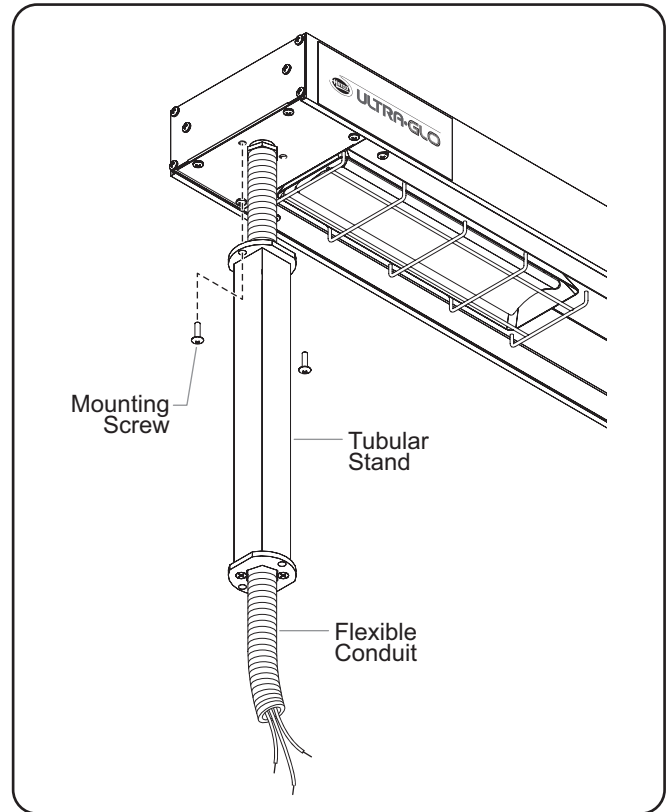
Countertop Conduit Hole Dimension

1. Position the unit upside-down on a flat surface.

NOTE: Units for this application are supplied with the conduit attached to one side of the unit. Conduit should not be removed.

2. If applicable, route the flexible conduit through the center of one of the stands.
3. Pull the conduit-side stand up against the unit and secure the stand to the unit using the screws supplied.
4. Align the other stand with the mounting holes at the opposite end of the unit and secure the stand to the unit using the screws supplied.
5. If applicable, route the flexible conduit through the 1" (25 mm) diameter hole cut into the mounting surface.
6. Secure the stands to the mounting surface.

NOTE: Two pairs of stands will be needed for mounting dual units.



Tubular Stand Mounting

Overhead Mounting

Overhead hanger post mounting permanently attaches the unit to an overhead surface. All wiring may be concealed within one of the hanger posts. Overhead mounting is for single element depth units.



WARNING

Ensure safe and proper operation. Refer to the “Minimum Clearance Requirements” listed in the **INSTALLATION** section of this manual.

Hanger posts are available in aluminum non-adjustable lengths from 3”– 10” (76 – 254 mm).

NOTE: Hanger posts are not field retrofittable.

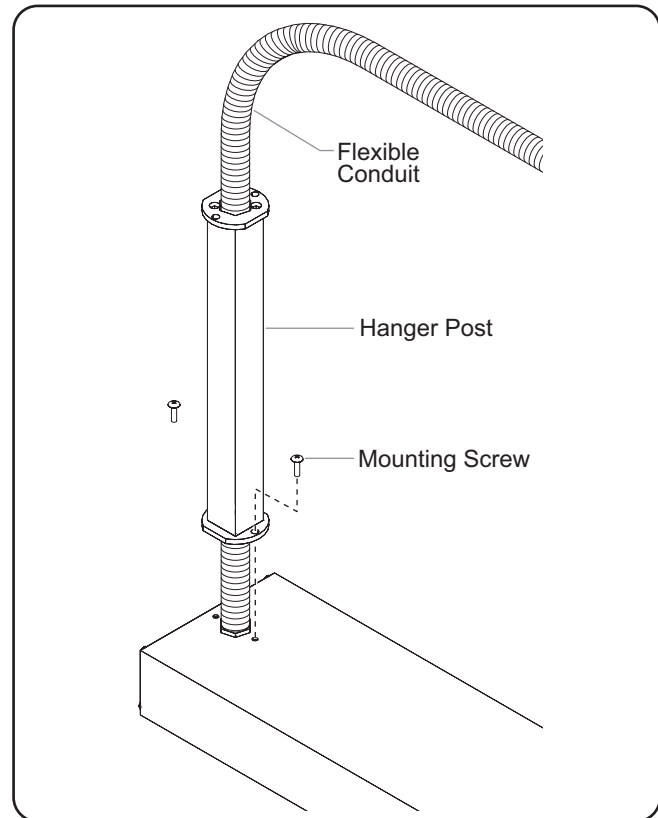
NOTE: If wiring is to be concealed, a 1” (25 mm) diameter hole must be provided in the mounting surface centered above the hanger post containing the wiring conduit.

1. Make sure the overhead mounting surface is secure and will allow the unit to be suspended at a level, safe, and proper distance from walls, counter, and food.
2. Position the unit on a flat surface with the heating elements facing down.

NOTE: Units for this application are supplied with the conduit attached to one side of the unit. Conduit should not be removed.

3. If applicable, route the flexible conduit through the center of one of the hanger posts.
4. Pull the conduit-side hanger post down onto the unit and secure the post to the unit using the screws supplied.
5. Align the other hanger post with the mounting holes at the opposite end of the unit and secure the post to the unit using the screws supplied.
6. If applicable, route the flexible conduit through the 1” (25 mm) diameter hole cut into the mounting surface.
7. Carefully lift the unit and secure the hanger posts to the overhead mounting surface.

NOTE: Two pairs of hanger posts will be needed for mounting dual units.



Hanger Post Mounting

Electrical Information

Refer to the wiring diagram supplied with the unit and specification label attached to the unit for specific electrical information. Also, refer to the “Electrical Rating Charts” in the **SPECIFICATIONS** section for unit specific information.



WARNING

ELECTRIC SHOCK HAZARD: Unit must be installed by a qualified electrician. Installation must conform to all local electrical codes. Installation by unqualified personnel will void unit warranty and may lead to electric shock or burn, as well as damage to unit and/or its surroundings.

NOTE: If the unit being installed is not shown or listed in this manual, refer to the wiring diagram supplied with the unit and the installation information on the unit for further instructions.

Power Supply

Install supply wire and connectors suitable for at least 194°F (90°C).

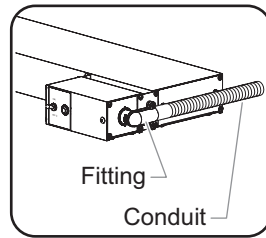
- Use a minimum of No. 14 AWG copper wire for individual circuits up to 15 amps.
- Use a minimum of No. 12 AWG copper wire for individual circuits 15 to 20 amps.
- Use a minimum of No. 10 AWG copper wire for individual circuits 20 to 25 amps.

NOTE: Refer to the wiring diagram supplied with the unit and specifications label attached to the unit for specific electrical information.

Conduit Connection

Units supplied with a right angle fitting and flexible conduit attached have had all internal connections completed at the factory. Attach the proper power supply leads to the high temperature lead wires in the conduit.

NOTE: Refer to the wiring diagram supplied with the unit and specifications label attached to the unit for specific electrical information.



Remote Control Enclosures

Hatco Remote Control Enclosures (RMBs) include switches, wire leads, and/or indicator lights and are ready for installation. Proper use of RMBs require one RMB per strip heater.

NOTE: Remote control enclosures are available in several sizes. All models are built in accordance with UL standards to accommodate switches, indicator lights, and wiring, ready for installation. See the OPTIONS AND ACCESSORIES section near the back of this manual.

IMPORTANT NOTE:

Remote mounted enclosures and control switches must be installed in a cool, dry location as far away from any heat zone as possible. Do not mount enclosures or switches directly on, under, or above unit. Do not mount enclosures or switches in direct contact with any heated surface or near any steam generating equipment.

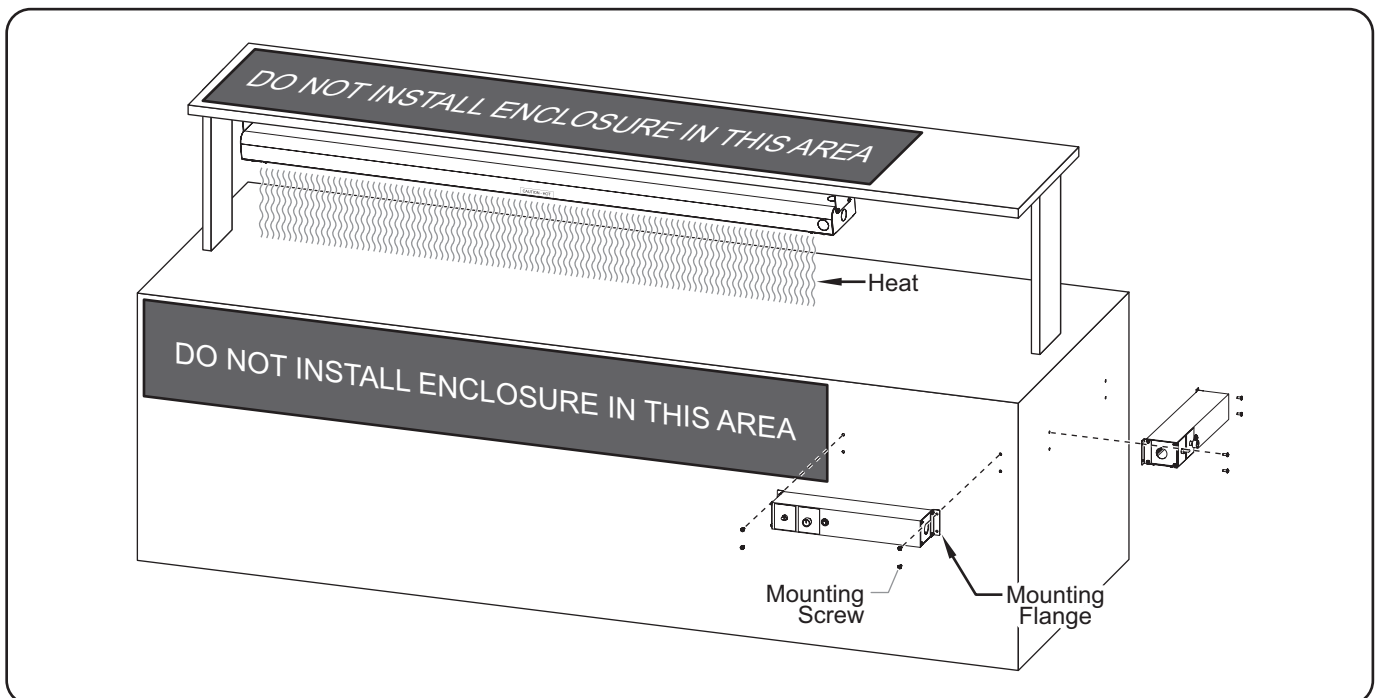
Remote Mounted Control Switches

Optional remote mounted control switches include I/O (on/off) toggle switches and infinite control switches. These switches need to be installed into an approved electrical box/enclosure (not supplied) by a qualified electrician. See the OPTIONS AND ACCESSORIES section for more information.

NOTE: When two or more units are mounted where the heat from one housing tends to raise the temperature of another, the control switches should be installed in a remote control enclosure. Units in a multiple installation should use remote mounted control switches.

NOTICE

Remote mounted control boxes must be installed outside strip heater heat zone to prevent premature failure of components due to excessive heat.



Remote Mounted Enclosure Installation Locations

General

Use the following information to operate Ultra-Glo® Strip Heaters.



Read all safety messages in the IMPORTANT SAFETY INFORMATION section before operating this equipment.



Standard and approved manufacturing oils may smoke up to 30 minutes during initial startup. This is a temporary condition. Operate unit without food product until smoke dissipates.

Controls

Strip heaters come standard with controls mounted to the unit or with optional remote mounted controls. The following is a list of the available controls for the strip heaters.

I/O (on/off) Toggle Switch—Turns power on and off to the heating elements and/or the lights (depending on control configuration).

Infinite Control—Turns on the power and controls the temperature of the heating elements. The infinite control is available on remote control enclosures only.

NOTE: Units with factory installed control boxes cannot be equipped with infinite controls.

Lights I/O (on/off) Toggle Switch—Turns power on and off to the lights.

Indicator Light—Illuminates when power is on, shuts off when power is off.

NOTE: Dual units require remote indicator lights.

NOTE: Toggle switches cannot be used on circuits that exceed 15 amps. Infinite controls cannot be used on circuits that exceed 12.2 amps.

Startup

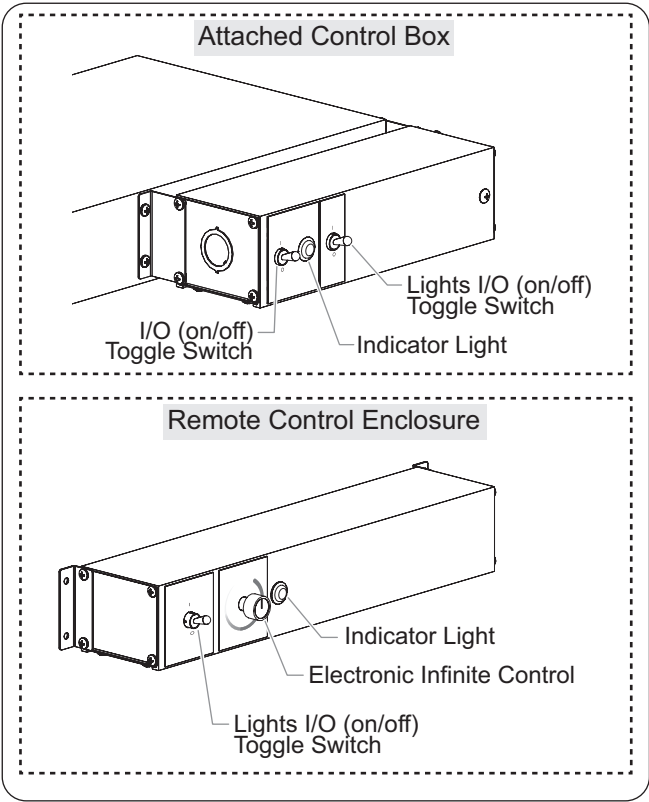
1. Turn on the heating element(s). The indicator light (if equipped) will illuminate and the heating elements will energize.
 - If unit is equipped with a I/O (on/off) toggle switch, move the toggle switch to the I (on) position.
 - If unit is equipped with an optional infinite control(s), turn the control to the desired setting.

NOTE: Allow 15–20 minutes to reach operating temperature.

2. On models equipped with display lights, move the Lights I/O (on/off) toggle switch to the I (on) position.



BURN HAZARD: Some exterior surfaces on unit will get hot. Avoid unnecessary contact with unit.



Controls

NOTE: Refer to the OPTIONS AND ACCESSORIES section for remote control enclosure information.

Shutdown

1. Move the I/O (on/off) toggle switch to the O (off) position or turn the optional infinite control(s) to the O (off) position.
 - The indicator light (if equipped) will shut off and the heating elements will shut down.
2. On models equipped with display lights, move the Lights I/O (on/off) toggle switch to the O (off) position.

General

Hatco® Ultra-Glo® Strip Heaters are designed for maximum durability and performance with minimum maintenance.

WARNING

ELECTRIC SHOCK HAZARD:

- Turn OFF power switch, turn off power at circuit breaker, and allow unit to cool before performing any cleaning, adjustments, or maintenance.
- DO NOT submerge or saturate with water. Unit is not waterproof. Do not operate if unit has been submerged or saturated with water.
- Do not steam clean or use excessive water on unit.
- This unit is not “jet-proof” construction. Do not use jet-clean spray to clean this unit.
- Use only Genuine Hatco Replacement Parts when service is required. Failure to use Genuine Hatco Replacement Parts will void all warranties and may subject operators of the equipment to hazardous electrical voltage, resulting in electrical shock or burn. Genuine Hatco Replacement Parts are specified to operate safely in the environments in which they are used. Some aftermarket or generic replacement parts do not have the characteristics that will allow them to operate safely in Hatco equipment.

This unit has no “user-serviceable” parts. If service is required on this unit, contact an Authorized Hatco Service Agent or contact the Hatco Service Department at 414-671-6350.

NOTICE

Use non-abrasive cleaners and cloths only. Abrasive cleaners and cloths could scratch the finish of the unit, marring its appearance and making it susceptible to soil accumulation.

Daily Cleaning

To preserve the finish of the strip heater, it is recommended that all surfaces be cleaned daily.

1. Turn off the unit and allow the unit to cool.
2. Wipe down all metal surfaces with a water-dampened, non-abrasive cloth. Stubborn stains may be removed with a good stainless steel or non-abrasive cleaner. Clean hard to reach areas using a small brush and mild soap.
3. Wipe dry the entire unit using a non-abrasive, dry cloth.

Replacing Display Light Bulbs

WARNING

Use only light bulbs that meet or exceed NSF standards and are specifically designed for food holding areas. Breakage of light bulbs not specially coated could result in personal injury and/or food contamination.

The display light is an incandescent bulb that illuminates the warming area. These bulbs have a special coating to guard against injury and food contamination in the event of breakage.

To replace a display light bulb:

1. Disconnect the power supply and wait until the unit has cooled.
2. Unscrew the light bulb from the unit and replace it with a new, specially-coated incandescent or optional halogen bulb.

NOTE: Hatco shatter-resistant light bulbs meet NSF standards for food holding and display areas. For 120, 120/208, and 120/240 volt applications, use Hatco P/N 02.30.265.00. For 220 and 240 volt applications, use Hatco P/N 02.30.266.00.



WARNING

This unit must be serviced by qualified personnel only. Service by unqualified personnel may lead to electric shock or burn.



WARNING

ELECTRIC SHOCK HAZARD: Turn OFF power switch, turn off power at circuit breaker, and allow unit to cool before performing any cleaning, adjustments, or maintenance.

Symptom	Probable Cause	Corrective Action
Unit is turned "ON" but there is no heat.	No power to unit.	Check circuit breaker and reset as necessary.
	Switch is defective.	Contact Authorized Service Agent or Hatco® for assistance.
	Heating element defective.	
	Fuse is defective.	
	Wiring is open.	
Heat is inadequate.	Unit mounted too high above target area.	Lower unit, putting effective heat closer to target.
	Excessive air movement around strip heater target area.	Restrict or redirect air movement (air conditioning duct or exhaust fan) away from unit.
	Incorrect power supply (low).	Check power supply to unit, making sure it matches rating on the unit. If power supply is incorrect, change to match rating on unit.
Heat is excessive.	Unit mounted too close to target area.	Check to see that installation is within specifications for type/model. Increase mounting height if too close.
	Voltage supply too high.	Check power supply to unit, making sure it matches rating on unit. If power supply is incorrect, change to match rating.
Control switches burn-out rapidly.	Switches are mounted in the heat zone.	Check switch location per Hatco guidelines in the Installation and Operations Manual. Relocate switches to a cooler zone if installation is incorrect.
	Switches used are not Hatco supplied.	Genuine Hatco Parts are specified to operate safely and properly in the environment in which they are used. Contact Authorized Service Agent or Hatco to replace switches with Genuine Hatco Replacement Parts.

Troubleshooting Questions?

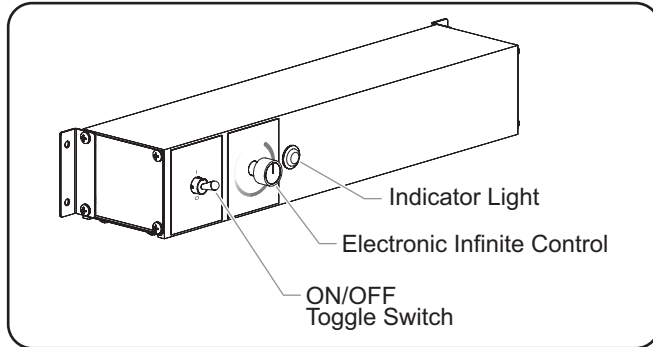
If you continue to have problems resolving an issue, please contact the nearest Authorized Hatco Service Agency or Hatco for assistance. To locate the nearest Service Agency, log onto the Hatco website at www.hatcocorp.com, select the *Support* pull-down menu, and click on "Find A Service Agent"; or contact the **Hatco Parts and Service Team** at:

Telephone: 414-671-6350

e-mail: support@hatcocorp.com

Remote Control Enclosures

Hatco remote control enclosures (RMBs) come in various sizes and configurations for use with the strip heaters. RMBs locate controls away from the constant heat of the unit, increasing the life span of the controls. All models are built in accordance with UL standards to accommodate controls, indicator lights, and wiring.



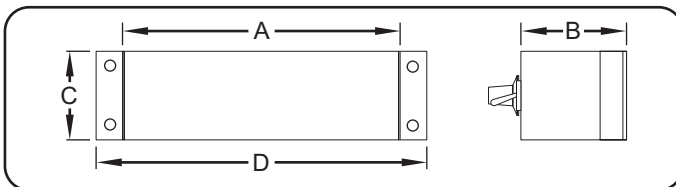
RMB (RMB-14 Series Shown)

NOTICE

Remote mounted control boxes must be installed outside strip heater heat zone to prevent premature failure of components due to excessive heat.

NOTE: Proper use of remote control enclosures requires one RMB per strip heater.

Model	Width (A)	Depth (B)	Height (C)	Width (D)
RMB-3 Series	5-1/2" (140 mm)	3" (76 mm)	2-1/2" (64 mm)	7" (178 mm)
RMB-7 Series	9" (229 mm)	3" (76 mm)	2-1/2" (64 mm)	10-1/2" (267 mm)
RMB-14 Series	14" (356 mm)	3" (76 mm)	2-1/2" (64 mm)	15-1/2" (394 mm)
RMB-16 Series	16" (406 mm)	3" (76 mm)	2-1/2" (64 mm)	17-1/2" (445 mm)
RMB-20 Series	20" (508 mm)	3" (76 mm)	2-1/2" (64 mm)	21-1/2" (546 mm)
RMB-22 Series	22" (559 mm)	3" (76 mm)	2-1/2" (64 mm)	23-1/2" (597 mm)
RMB-24 Series	24" (610 mm)	3" (76 mm)	2-1/2" (64 mm)	25-1/2" (648 mm)



Dimensions — RMB

Chef LED Bulbs

Chef LED bulbs are available for all units with lights. Chef LED bulbs are LED light bulbs that offer energy savings over incandescent bulbs. Use the following for replacement bulbs:

120 Volts

3000K: R02.30.195.01

4000K: R02.30.196.01

230 Volts

3000K: R02.30.198.01

4000K: R02.30.199.01

WARRANTY, EXCLUSIVE REMEDY:

Hatco® Corporation (Seller) warrants that the products it manufactures (Products) will be free from defects in materials and workmanship under normal use and service and when stored, maintained, and installed in strict accordance with factory recommendations. Seller's sole obligation to the person or entity buying the Products directly from Seller (Customer) under this warranty is the repair or replacement by Seller or a Seller-authorized service agency, at Seller's option, of any Product or any part thereof deemed defective upon Seller's examination, for a period of: (i) the Warranty Duration from the date of shipment by Seller or (ii) the Warranty Duration from the date of Product registration in accordance with Seller's written instructions, whichever is later. The "Warranty Duration" shall mean the specific periods set forth below for specific Product components, or, to the extent not listed below, eighteen (18) months. Credit for Products or parts returned with the prior written permission of Seller will be subject to the terms shown on Seller's material return authorization form. PRODUCTS OR PARTS RETURNED WITHOUT PRIOR WRITTEN PERMISSION OF SELLER WILL NOT BE ACCEPTED FOR CREDIT. Expenses incurred by Customer in returning, replacing, or removing the Products will not be reimbursed by Seller. If the defect comes under the terms of the limited warranty, the Products will be repaired or replaced and returned to the Customer and the cost of return freight will be paid by Seller. The remedy of repair or replacement provided for herein is Customer's exclusive remedy. Any improper use, alteration, repairs, tampering, misapplication, improper installation, application of improper voltage, or any other action or inaction by Customer or others (including the use of any unauthorized service agency) that in Seller's sole judgment adversely affects the Product shall void this warranty. The warranty expressly provided herein may only be asserted by Customer and may not be asserted by Customer's customers or other users of the Products; provided, however, that if Customer is an authorized equipment dealer of Seller, Customer may assign the warranty herein to Customer's customers, subject to all of the limitations of these Terms, and in such case, the warranty shall be exclusively controlled by Seller in accordance with these Terms. THIS LIMITED WARRANTY IS EXCLUSIVE AND IS IN LIEU OF ANY OTHER WARRANTY, EXPRESSED OR IMPLIED, INCLUDING BUT NOT LIMITED TO ANY IMPLIED WARRANTY OF NONINFRINGEMENT, MERCHANTABILITY, OR FITNESS FOR A PARTICULAR PURPOSE, WHICH ARE EXPRESSLY DISCLAIMED.

One (1) Year Parts and Labor PLUS One (1) Additional Year Parts-Only Warranty:

- Conveyor Toaster Elements (metal sheathed)
- Drawer Warmer Elements (metal sheathed)
- Drawer Warmer Drawer Rollers and Slides
- Food Warmer Elements (metal sheathed)
- Display Warmer Elements (metal sheathed air heating)
- Holding Cabinet Elements (metal sheathed air heating)
- Heated Well Elements — HW, HWB, and HWBI Series (metal sheathed)

Two (2) Year Parts and Labor Warranty:

- Induction Ranges
- Induction Warmers

One (1) Year Replacement Warranty:

- TPT Pop-Up Toasters

One (1) Year Parts and Labor PLUS Four (4) Years Parts-Only Warranty:

- 3CS and FR Tanks

One (1) Year Parts and Labor PLUS Nine (9) Years Parts-Only Warranty:

- Electric Booster Heater Tanks
- Gas Booster Heater Tanks

Ninety (90) Day Parts-Only Warranty:

- Replacement Parts

Notwithstanding anything herein to the contrary, the limited warranty herein will not cover components in Seller's sole discretion such as, but not limited to, the following: coated incandescent light bulbs, fluorescent lights, heat lamp bulbs, coated halogen light bulbs, halogen heat lamp bulbs, xenon light bulbs, LED light tubes, glass components, and fuses; Product failure in booster tank, fin tube heat exchanger, or other water heating equipment caused by liming, sediment buildup, chemical attack, or freezing.

WARRANTY REGISTRATION INSTRUCTIONS:

Product registration must be submitted within 90 days from the date of shipment from our factory to qualify for additional coverage. Registration may be submitted through the form on Seller's website, through the form accessible through the QR code on the Product (where available), or by calling Customer Service with the required information at: **414-671-6350**.

LIMITATION OF LIABILITY:

SELLER WILL NOT BE LIABLE FOR ANY INDIRECT, INCIDENTAL, CONSEQUENTIAL, PUNITIVE, EXEMPLARY, OR SPECIAL DAMAGES, INCLUDING WITHOUT LIMITATION ANY LOST PROFITS, COSTS OF SUBSTITUTE PRODUCTS, OR LABOR COSTS ARISING FROM THE SALE, USE, OR INSTALLATION OF THE PRODUCTS, FROM THE PRODUCTS BEING INCORPORATED INTO OR BECOMING A COMPONENT OF ANOTHER PRODUCT, OR FROM ANY OTHER CAUSE WHATSOEVER, WHETHER BASED ON WARRANTY (EXPRESSED OR IMPLIED) OR OTHERWISE BASED ON CONTRACT, TORT, OR ANY OTHER THEORY OF LIABILITY, AND REGARDLESS OF ANY ADVICE OR REPRESENTATIONS THAT MAY HAVE BEEN RENDERED BY SELLER CONCERNING THE SALE, USE, OR INSTALLATION OF THE PRODUCTS, EVEN IF SELLER IS AWARE OF THE POSSIBILITY OF SUCH DAMAGES. IN NO EVENT WILL SELLER'S AGGREGATE LIABILITY ARISING OUT OF OR RELATED TO THIS AGREEMENT EXCEED THE TOTAL AMOUNTS PAID TO SELLER BY CUSTOMER FOR THE PRODUCTS WITHIN THE THREE (3) MONTH PERIOD IMMEDIATELY PRECEDING THE EVENT GIVING RISE TO CUSTOMER'S CLAIM. THE LIMITATIONS SET FORTH HEREIN REGARDING SELLER'S LIABILITY SHALL BE VALID AND ENFORCEABLE NOTWITHSTANDING A FAILURE OF ESSENTIAL PURPOSE OF THE LIMITED REMEDY SPECIFIED IN THESE TERMS.

Seller reserves the right to update these Terms at any time, at its sole discretion, which become binding upon the date of publishing. For the most current version of our full Terms of Sale, see our website at: <https://www.hatcocorp.com/terms-of-sale>

Informations Importantes pour le Propriétaire.....	25	Montage en surface permanent	40
Introduction.....	25	Fixation supérieure	41
Consignes de Sécurité Importantes.....	26	Informations électriques	41
Désignation du Modèle.....	27	Mode d'emploi	43
Description du Modèle.....	27	Généralités	43
Caractéristiques Techniques	28	Maintenance.....	44
Tableau des valeurs nominales électriques	28	Généralités	44
Dimensions	36	Nettoyage quotidien.....	44
Installation.....	37	Remplacement des ampoules de la vitrine	44
Généralités	37	Guide de Dépannage.....	45
Hauteurs recommandées pour le montage.....	38	Options et Accessoires	46
Exigences minimales de dégagement.....	38	Garantie Limitée	47
Montage sous un plateau.....	39		

INFORMATIONS IMPORTANTES POUR LE PROPRIÉTAIRE

Noter le numéro de modèle, le numéro de série, le voltage et la date d'achat de votre appareil ci-dessous (Étiquette de spécification située au dos de l'appareil). Veuillez avoir cette information à portée de la main si vous appelez Hatco® pour assistance.

Modèle No. _____

Numéro de série _____

Voltage _____

Date d'achat _____

Enregistrez votre appareil!

Remplissez la garantie en ligne pour éviter les retards pour faire jouer la garantie. Accédez au site Web Hatco www.hatcocorp.com, sélectionnez le menu déroulant *Support (Assistance)*, puis cliquez sur « Warranty » (Garantie).

Horaires

ouvrables : 7h00 à 17h00 du lundi au vendredi
Heure du Centre (CT)
(Horaires d'été—juin à septembre:
7h00 à 17h00 du lundi au jeudi
7h00 à 16h00 le vendredi)

Téléphone: +1-414-671-6350

Courriel: support@hatcocorp.com



Service d'assistance et de pièces de rechange disponible 7j/7, 24h/24 aux États-Unis et au Canada en composant le +1-414-671-6350.

Des renseignements supplémentaires sont disponibles sur notre site Web à www.hatcocorp.com

INTRODUCTION

Les rampes chauffantes en céramique Ultra-Glo® d'Hatco garantissent une conservation maximale des aliments et minimisent le risque de maladie d'origine alimentaire. Une sécurité et une qualité optimales sont le résultat du maintien de la nourriture à la bonne température de service grâce aux profils de chaleur prédéterminés de Ultra Glo. Les modèles de transferts thermiques préétablis empêchent les aliments d'être trop cuits au milieu et tièdes sur les bords en concentrant les températures plus élevées vers les bords extérieurs des surfaces de service, où la perte de chaleur est la plus importante. Grâce à des réflecteurs spécialement conçus pour diriger la chaleur depuis l'élément, les rampes chauffantes en céramique Ultra Glo permettent aux aliments de conserver des températures de service bien réparties en toute sécurité, et ce sans les cuire au-delà de leur point de cuisson optimal. La sortie de chaleur de l'élément céramique permet de monter les appareils à de grandes hauteurs afin d'améliorer les espaces de travail.

Les rampes chauffantes en céramique Ultra Glo sont disponibles en sortie d'usine avec ou sans ampoules de vitrine incassables destinées à éclairer la zone de maintien au chaud. Ces ampoules possèdent un enduit spécial destiné à éviter toute blessure et toute contamination des éléments en cas de casse.

Les rampes chauffantes en céramique Ultra-Glo sont des produits issus d'une recherche approfondie et d'essais sur le terrain. Les matériaux utilisés ont été sélectionnés pour une durabilité maximale, un aspect esthétique et une performance optimale. Chaque appareil est soigneusement inspecté et testé avant expédition.

Ce manuel fournit les consignes d'installation, de sécurité et de fonctionnement des rampes chauffantes en céramique Ultra-Glo. Hatco vous recommande de lire l'ensemble des instructions d'installation, de sécurité et de fonctionnement contenues dans ce manuel avant d'installer et d'utiliser l'appareil.

Les consignes de sécurité qui apparaissent dans ce manuel sont identifiées par les mots indicateurs suivants :

AVERTISSEMENT

AVERTISSEMENT indique une situation dangereuse qui, si elle n'est pas évitée, peut provoquer la mort ou des blessures graves.

ATTENTION

ATTENTION indique une situation dangereuse qui, si elle n'est pas évitée, peut provoquer des blessures légères ou moyennes.

AVIS

AVIS est utilisé pour des questions sans rapport avec des blessures corporelles.



Lisez l'information de sécurité importante suivante avant d'utiliser cet équipement pour éviter des dommages ou la mort sérieux et pour éviter d'endommager l'équipement ou la propriété.

⚠ AVERTISSEMENT

RISQUE DE DÉCHARGE ÉLECTRIQUE :

- L'appareil doit être installé par un électricien qualifié. L'installation doit être conforme à l'ensemble des réglementations électriques locales. Une installation par un personnel non qualifié provoquera une annulation de la garantie de l'appareil. Cela peut également entraîner un choc électrique ou une brûlure et endommager l'unité et/ou les zones environnantes.
- Les appareils fournis sans cordon ni prise électrique nécessitent un branchement câblé au système électrique sur place. Le câblage doit être mis à la terre de manière appropriée. Son voltage, ses dimensions et sa configuration doivent également correspondre aux spécifications électriques de l'appareil. Contactez un électricien qualifié pour procéder au choix et à l'installation des branchements électriques adaptés.
- Mettez l'interrupteur sur « OFF », coupez le courant au disjoncteur et laissez refroidir l'appareil avant d'effectuer toute opération de nettoyage, de réglage ou d'entretien.
- NE PAS immerger dans l'eau ou mouiller abondamment. L'appareil n'est pas étanche. N'allumez pas l'appareil s'il a été immergé ou mouillé abondamment.
- L'appareil n'est pas résistant aux projections. N'utilisez pas de pulvérisation de jets nettoyants pour nettoyer l'appareil.
- Utilisez exclusivement des pièces de rechange d'origine de Hatco® lorsque cela est nécessaire. L'utilisation de toute autre pièce entraînera l'annulation de toutes les garanties et pourrait exposer les utilisateurs à des tensions électriques dangereuses pouvant mener à des électrocutions ou à des brûlures. Les pièces authentiques Hatco sont conçues pour fonctionner de manière sûre et adaptée dans l'environnement dans lequel elles sont utilisées. Certaines pièces de rechange génériques ne disposent pas de caractéristiques leur permettant de fonctionner en toute sécurité dans des appareils Hatco.

RISQUE D'INCENDIE :

- N'installez pas l'appareil au-dessus ou à proximité de surfaces combustibles. Une décoloration ou une combustion pourraient survenir. L'appareil doit uniquement être installé dans un environnement non combustible.
- Ne conservez pas ou n'utilisez pas d'essence ou d'autres vapeurs ou liquides inflammables à proximité de ce four ou de tout autre appareil.

N'utilisez que des ampoules électriques qui correspondent ou qui sont supérieures aux normes de la Fondation NSF et qui sont spécifiquement conçues pour les espaces de conservation des aliments. Les bris d'une ampoule non équipée d'un revêtement adapté peuvent provoquer des dommages corporels et/ou une contamination des aliments.

Assurez-vous que tous les utilisateurs ont reçu des instructions sur une utilisation sûre et adéquate de l'appareil.

⚠ AVERTISSEMENT

Cet appareil n'est pas conçu pour être utilisé par des enfants ou des personnes dont les capacités physiques, sensorielles ou mentales sont limitées. Ne laissez pas les enfants sans surveillance et maintenez-les à l'écart de l'appareil.

Cet appareil ne contient aucune pièce réparable par l'utilisateur. Si cet appareil doit être réparé, contacter un réparateur Hatco agréé ou le Service après-vente Hatco au +1-414-671-6350.

⚠ ATTENTION

DANGER DE BRÛLURE : Certaines surfaces extérieures de l'appareil deviennent chaudes. Toucher ces zones de l'appareil avec précaution.

Assurez-vous que le fonctionnement est sûr et adapté. Référez-vous aux « Exigences minimales de dégagement » indiquées dans la partie INSTALLATION de ce manuel.

AVIS

Les graisses standard et approuvées utilisées lors de la fabrication peuvent provoquer des fumées au cours du démarrage initial pendant 30 minutes. Il s'agit d'un état temporaire. Utilisez l'appareil sans produit alimentaire jusqu'à ce que la fumée disparaisse.

L'installation de deux appareils ou plus avec moins de 76 mm (3") entre les boîtiers peut entraîner une défaillance prématurée des composants. Le non-respect des distances appropriées peut entraîner un dommage thermique sur les composants électriques.

Ne masquez pas une rampe chauffante montée sur un passe-plat avec une sous-face décorative. Une chaleur excessive peut provoquer une défaillance prématurée des composants.

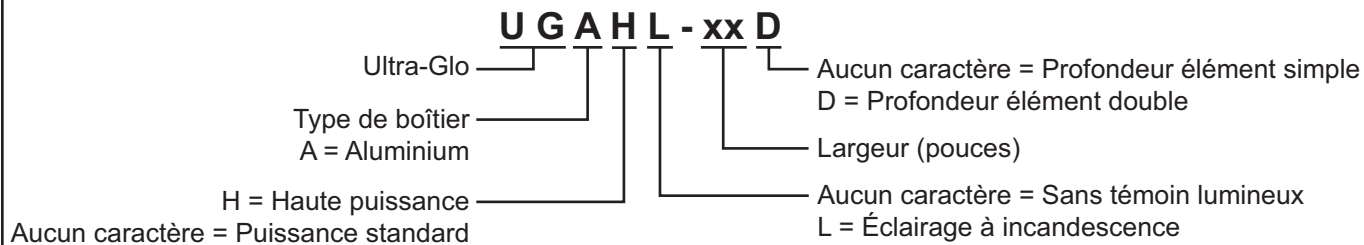
Ne cachez pas l'appareil. L'appareil doit être installé en dessous du rebord inférieur d'un plateau à bordure enroulée ou retournée. Un montage inapproprié de l'appareil peut entraîner une défaillance prématurée des interrupteurs et annuler la garantie du produit.

Des boîtiers de contrôle à distance doivent être installés à l'extérieur de la zone de chaleur de la rampe chauffante pour éviter toute défaillance prématurée des composants due à une chaleur excessive.

Les dommages à toute partie du comptoir pouvant être causés par la chaleur générée par l'équipement de Hatco ne sont pas couverts par la garantie de Hatco. Contactez le fabricant du comptoir pour plus de renseignements.

N'installez pas l'appareil dans un endroit présentant des déplacements d'air excessifs. Évitez les zones pouvant être soumises à des déplacements d'air ou à des courants d'air actifs (proximité de ventilateurs d'extraction/de hottes d'aspiration, de conduites de climatisation et de portes extérieures).

Utilisez uniquement des nettoyants non abrasifs et des chiffons doux. Les chiffons et nettoyants abrasifs pourraient érafler la finition de l'unité, entachant son apparence et la rendant susceptible à l'accumulation de saleté.



DESCRIPTION DU MODÈLE

Les rampes chauffantes en céramique Ultra-Glo® de Hatco gardent les aliments chauds à des températures de service optimales plus longtemps. Les aliments ne se dessèchent et ne se décolorent pas ; même les plats les plus délicats donnent l'impression de tout juste sortir du fourneau. Les modèles de transferts thermiques préétablis de Ultra-Glo dirigent la chaleur émise par un élément céramique afin qu'elle baigne entièrement la surface de service. La sortie de chaleur de l'élément céramique permet de monter les appareils à de grandes hauteurs afin d'améliorer les espaces de travail.

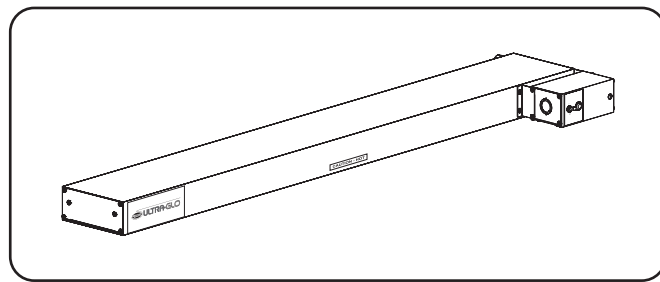
Les rampes chauffantes en céramique Ultra-Glo sont équipées de boîtiers en aluminium de largeurs comprises entre 457 mm (18") et 1829 mm (72").

Les modèles doubles permettent d'installer côte à côte deux rampes afin de chauffer une surface de service plus profonde (les modèles doubles sont construits avec une entretoise standard de 3" [76 mm] ou 6" [152 mm] entre les éléments de chauffage).

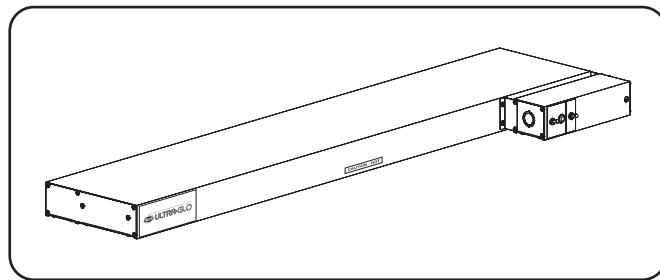
Les rampes chauffantes Ultra-Glo disposent de plusieurs options de montage et d'emplacements d'interrupteurs. Des interrupteurs de contrôle infini facultatifs, des interrupteurs électroniques de contrôle infini, des boîtiers de contrôle à distance, un éclairage à incandescence et un éclairage halogène sont disponibles.

- UGA-xx :** Boîtier en aluminium, profondeur élément simple
- UGAH-xx :** Boîtier en aluminium, haute puissance, profondeur élément simple
- UGAH-xx :** Revêtement en aluminium, éclairage à incandescence, profondeur élément simple
- UGAHL-xx :** Boîtier en aluminium, haute puissance, éclairage à incandescence, profondeur élément simple
- UGA-xxD :** Revêtement en aluminium, profondeur élément double
- UGAH-xxD :** Boîtier en aluminium, haute puissance, profondeur élément double
- UGAL-xxD :** Revêtement en aluminium, éclairage à incandescence, profondeur élément double
- UGAHL-xxD :** Boîtier en aluminium, haute puissance, éclairage à incandescence, profondeur élément double

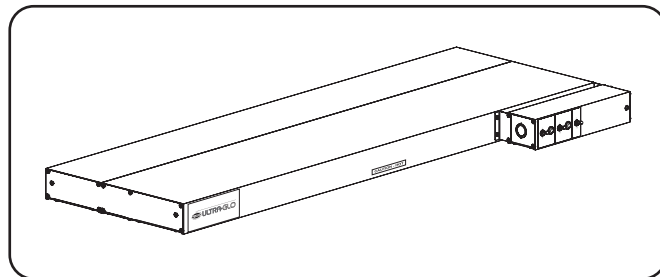
NOTA : L'éclairage à incandescence n'est pas disponible pour améliorer un modèle antérieur.



Modèle UGA-xx



Modèle UGAL-xx



Modèle UGAL-xxD, entretoise 76 mm (3")

Tableau des valeurs nominales électriques — Modèles UGA

Modèle	Tension	Puissance	Intensité	Poids d'embarquement *
UGA-18	120 V	500 W	4.2 A	4 kg (9 lbs.)
	208 V	490 W	2.4 A	
	220 V	546 W	2.5 A	
	240 V	500 W	2.1 A	
UGA-24	120 V	650 W	5.4 A	5 kg (10 lbs.)
	208 V	675 W	3.2 A	
	220 V	630 W	2.9 A	
	240 V	650 W	2.7 A	
UGA-30	120 V	750 W	6.3 A	5 kg (11 lbs.)
	208 V	840 W	4.0 A	
	220 V	756 W	3.4 A	
	240 V	900 W	3.8 A	
UGA-36	120 V	1000 W	8.3 A	5 kg (12 lbs.)
	208 V	980 W	4.7 A	
	220 V	1092 W	5.0 A	
	240 V	1000 W	4.2 A	
UGA-42	120 V	1000 W	8.3 A	6 kg (13 lbs.)
	208 V	1120 W	5.4 A	
	220 V	1260 W	5.7 A	
	240 V	1200 W	5.0 A	
UGA-48	120 V	1500 W	12.5 A	6 kg (14 lbs.)
	208 V	1470 W	7.1 A	
	220 V	1638 W	7.4 A	
	240 V	1500 W	6.3 A	
UGA-54	208 V	1470 W	7.1 A	7 kg (16 lbs.)
	220 V	1639 W	7.4 A	
	240 V	1500 W	6.3 A	
UGA-60	208 V	1960 W	9.4 A	8 kg (17 lbs.)
	220 V	2185 W	9.9 A	
	240 V	2000 W	8.3 A	
UGA-66	208 V	1960 W	9.4 A	9 kg (19 lbs.)
	220 V	2185 W	9.9 A	
	240 V	2000 W	8.3 A	
UGA-72	208 V	1960 W	9.4 A	9 kg (20 lbs.)
	220 V	2520 W	11.5 A	
	240 V	2000 W	8.3 A	

* Ajoutez 1–3 kg (2-8 lb) au poids de livraison selon la taille du boîtier de contrôle à distance.

Tableau des valeurs nominales électriques — Modèles UGAH

Modèle	Tension	Puissance	Intensité	Poids d'embarquement *
UGAH-18	120 V	650 W	5.4 A	4 kg (9 lbs.)
	208 V	675 W	3.2 A	
	220 V	630 W	2.9 A	
	240 V	650 W	2.7 A	
UGAH-24	120 V	750 W	6.3 A	5 kg (10 lbs.)
	208 V		3.6 A	
	220 V	756 W	3.4 A	
	240 V	750 W	3.1 A	
UGAH-30	120 V	1125 W	9.4 A	5 kg (11 lbs.)
	208 V		5.4 A	
	220 V	945 W	4.3 A	
	240 V	1125 W	4.7 A	
UGAH-36	120 V	1300 W	10.8 A	5 kg (12 lbs.)
	208 V	1350 W	6.5 A	
	220 V	1260 W	5.7 A	
	240 V	1300 W	5.4 A	
UGAH-42	120 V	1500 W	12.5 A	6 kg (13 lbs.)
	208 V		7.2 A	
	220 V	1680 W	7.6 A	
	240 V	1500 W	6.3 A	
UGAH-48	208 V	2025 W	9.7 A	6 kg (14 lbs.)
	220 V	1860 W	8.6 A	
	240 V	1950 W	8.1 A	
UGAH-54	208 V	2250 W	10.8 A	7 kg (16 lbs.)
	220 V	2268 W	10.3 A	
	240 V	2250 W	9.4 A	
UGAH-60	208 V	2700 W	13.0 A	8 kg (17 lbs.)
	220 V	2520 W	11.5 A	
	240 V	2600 W	10.8 A	
UGAH-66	208 V	2700 W	13.0 A	9 kg (19 lbs.)
	220 V	2520 W	11.5 A	
	240 V	2600 W	10.8 A	
UGAH-72	208 V	3000 W	14.4 A	9 kg (20 lbs.)
	220 V	3025 W	13.8 A	
	240 V	3000 W	12.5 A	

* Ajoutez 1–3 kg (2-8 lb) au poids de livraison selon la taille du boîtier de contrôle à distance.

Tableau des valeurs nominales électriques — Modèles UGAL

Modèle	Tension	Puissance	Intensité	Poids d'embarquement *
UGAL-18	120 V	560 W	4.7 A	5 kg (12 lbs.)
	120/208 V	550 W	2.9 A	
	120/240 V	560 W	2.6 A	
UGAL-24	120 V	770 W	6.4 A	6 kg (13 lbs.)
	120/208 V	795 W	4.2 A	
	120/240 V	770 W	3.7 A	
UGAL-30	120 V	870 W	7.3 A	7 kg (15 lbs.)
	120/208 V	960 W	5.0 A	
	120/240 V	1020 W	4.8 A	
UGAL-36	120 V	1180 W	9.8 A	8 kg (17 lbs.)
	120/208 V	1160 W	6.2 A	
	120/240 V	1180 W	5.7 A	
UGAL-42	120 V	1180 W	9.8 A	8 kg (18 lbs.)
	120/208 V	1300 W	6.9 A	
	120/240 V	1380 W	6.5 A	
UGAL-48	120 V	1740 W	14.5 A	9 kg (20 lbs.)
	120/208 V	1710 W	9.1 A	
	120/240 V	1740 W	8.3 A	
UGAL-54	120/208 V	1710 W	9.1 A	10 kg (22 lbs.)
	120/240 V	1740 W	8.3 A	
UGAL-60	120/208 V	2260 W	11.9 A	10 kg (23 lbs.)
	120/240 V	2300 W	10.8 A	
UGAL-66	120/208 V	2260 W	11.9 A	11 kg (25 lbs.)
	120/240 V	2300 W	10.8 A	
UGAL-72	120/208 V	2320 W	12.4 A	12 kg (27 lbs.)
	120/240 V	2360 W	11.3 A	

* Ajoutez 1–3 kg (2-8 lb) au poids de livraison selon la taille du boîtier de contrôle à distance.

Tableau des valeurs nominales électriques — Modèles UGAHL

Modèle	Tension	Puissance	Intensité	Poids d'embarquement *
UGAHL-18	120 V	710 W	5.9 A	5 kg (12 lbs.)
	120/208 V	735 W	3.7 A	
	120/240 V	710 W	3.2 A	
UGAHL-24	120 V	870 W	7.3 A	6 kg (13 lbs.)
	120/208 V		4.6 A	
	120/240 V		4.1 A	
UGAHL-30	120 V	1245 W	10.4 A	7 kg (15 lbs.)
	120/208 V		6.4 A	
	120/240 V		5.7 A	
UGAHL-36	120 V	1480 W	12.3 A	8 kg (17 lbs.)
	120/208 V	1530 W	8.0 A	
	120/240 V	1480 W	6.9 A	
UGAHL-42	120 V	1680 W	14.0 A	8 kg (18 lbs.)
	120/208 V		8.7 A	
	120/240 V		7.8 A	
UGAHL-48	120/208 V	2265 W	11.7 A	9 kg (20 lbs.)
	120/240 V	2190 W	10.1 A	
UGAHL-54	120/208 V	2490 W	12.8 A	10 kg (22 lbs.)
	120/240 V		11.4 A	
UGAHL-60	120/208 V †	3000 W	15.5 A	10 kg (23 lbs.)
	120/240 V	2900 W	13.3 A	
UGAHL-66	120/208 V †	3000 W	15.5 A	11 kg (25 lbs.)
	120/240 V	2900 W	13.3 A	
UGAHL-72	120/208 V †	3360 W	17.4 A	12 kg (27 lbs.)
	120/240 V †		15.5 A	

* Ajoutez 1–3 kg (2-8 lb) au poids de livraison selon la taille du boîtier de contrôle à distance.

† Boîtier de contrôle à distance avec fusible requis.

Tableau des valeurs nominales électriques — Modèles UGA-xxD

Modèle	Tension	Puissance totale	Circuit	Puissance circuit	Intensité circuit	Poids d'embarquement *
UGA-18D	120 V	1000 W	1	1000 W	8.3 A	8 kg (17 lbs.)
	208 V	980 W		980 W	4.7 A	
	240 V	1000 W		1000 W	4.2 A	
UGA-24D	120 V	1300 W	1	1300 W	10.8 A	9 kg (19 lbs.)
	208 V	1350 W		1350 W	6.5 A	
	240 V	1300 W		1300 W	5.4 A	
UGA-30D	120 V	1500 W	1	1500 W	12.5 A	10 kg (21 lbs.)
	208 V	1680 W		1680 W	8.1 A	
	240 V	1800 W		1800 W	7.5 A	
UGA-36D	208 V	1960 W	1	1960 W	9.4 A	11 kg (24 lbs.)
	240 V	2000 W		2000 W	8.3 A	
UGA-42D	208 V	2240 W	1	1120 W	5.4 A	12 kg (27 lbs.)
			2	1120 W	5.4 A	
	240 V	2400 W	1	1200 W	5.0 A	
			2	1200 W	5.0 A	
UGA-48D (Commandes droite/gauche)	208 V	2940 W	1	1960 W	9.4 A	14 kg (30 lbs.)
			2	980 W	4.7 A	
	240 V	3000 W	1	2000 W	8.3 A	
			2	1000 W	4.2 A	
UGA-48D (Commandes avant/arrière)	208 V	2940 W	1	1470 W	7.1 A	14 kg (30 lbs.)
			2	1470 W	7.1 A	
	240 V	3000 W	1	1500 W	6.3 A	
			2	1500 W	6.3 A	
UGA-54D (Commandes droite/gauche)	208 V	2940 W	1	1960 W	9.4 A	15 kg (33 lbs.)
			2	980 W	4.7 A	
	240 V	3000 W	1	2000 W	8.3 A	
			2	1000 W	4.2 A	
UGA-54D (Commandes avant/arrière)	208 V	2940 W	1	1470 W	7.1 A	15 kg (33 lbs.)
			2	1470 W	7.1 A	
	240 V	3000 W	1	1500 W	6.3 A	
			2	1500 W	6.3 A	
UGA-60D	208 V	3920 W	1	1960 W	9.4 A	17 kg (37 lbs.)
			2	1960 W	9.4 A	
	240 V	4000 W	1	2000 W	8.3 A	
			2	2000 W	8.3 A	
UGA-66D	208 V	3920 W	1	1960 W	9.4 A	18 kg (40 lbs.)
			2	1960 W	9.4 A	
	240 V	4000 W	1	2000 W	8.3 A	
			2	2000 W	8.3 A	
UGA-72D	208 V	3920 W	1	1960 W	9.4 A	20 kg (44 lbs.)
			2	1960 W	9.4 A	
	240 V	4000 W	1	2000 W	8.3 A	
			2	2000 W	8.3 A	

* Ajoutez 1–3 kg (2-8 lb) au poids de livraison selon la taille du boîtier de contrôle à distance.

Tableau des valeurs nominales électriques — Modèles UGAH-xxD

Modèle	Tension	Puissance totaux	Circuit	Puissance circuit	Intensité circuit	Poids d'embarquement *
UGAH-18D	120 V	1300 W	1	1300 W	10.8 A	8 kg (17 lbs.)
	208 V	1350 W		1350 W	6.5 A	
	240 V	1300 W		1300 W	5.4 A	
UGAH-24D	120 V	1500 W	1	1500 W	12.5 A	9 kg (19 lbs.)
	208 V				7.2 A	
	240 V				6.3 A	
UGAH-30D	208 V	2250 W	1	2250 W	10.8 A	10 kg (21 lbs.)
	240 V				9.4 A	
UGAH-36D	208 V	2700 W	1	2700 W	13.0 A	11 kg (24 lbs.)
	240 V	2600 W		2600 W	10.8 A	
UGAH-42D	208 V	3000 W	1	1500 W	7.2 A	12 kg (27 lbs.)
			2	1500 W	7.2 A	
	240 V	3000 W	1	1500 W	6.3 A	
			2	1500 W	6.3 A	
UGAH-48D (Commandes droite/gauche)	208 V	4050 W	1	2700 W	13.0 A	14 kg (30 lbs.)
			2	1350 W	6.5 A	
	240 V	3900 W	1	2600 W	10.8 A	
			2	1300 W	5.4 A	
UGAH-48D (Commandes avant/arrière)	208 V	4050 W	1	2025 W	9.7 A	14 kg (30 lbs.)
			2	2025 W	9.7 A	
	240 V	3900 W	1	1950 W	8.1 A	
			2	1950 W	8.1 A	
UGAH-54D (Commandes droite/gauche)	208 V	4500 W	1	3000 W	14.4 A	15 kg (33 lbs.)
			2	1500 W	7.2 A	
	240 V	4500 W	1	3000 W	12.5 A	
			2	1500 W	6.3 A	
UGAH-54D (Commandes avant/arrière)	208 V	4500 W	1	2250 W	10.8 A	15 kg (33 lbs.)
			2	2250 W	10.8 A	
	240 V	4500 W	1	2250 W	9.4 A	
			2	2250 W	9.4 A	
UGAH-60D	208 V	5400 W	1	2700 W	13.0 A	17 kg (37 lbs.)
			2	2700 W	13.0 A	
	240 V	5200 W	1	2600 W	10.8 A	
			2	2600 W	10.8 A	
UGAH-66D	208 V	5400 W	1	2700 W	13.0 A	18 kg (40 lbs.)
			2	2700 W	13.0 A	
	240 V	5200 W	1	2600 W	10.8 A	
			2	2600 W	10.8 A	
UGAH-72D	208 V	6000 W	1	3000 W	14.4 A	20 kg (44 lbs.)
			2	3000 W	14.4 A	
	240 V	6000 W	1	3000 W	12.5 A	
			2	3000 W	12.5 A	

* Ajoutez 1–3 kg (2-8 lb) au poids de livraison selon la taille du boîtier de contrôle à distance.

NOTA: Les modèles pour lesquels plusieurs voltages sont indiqués, comme 120/208 ou 120/240, ont plusieurs circuits internes. Par exemple, un modèle 120/208 volts utilise 120 volts pour le circuit d'éclairage et 208 volts pour le(s) circuit(s) de chauffage. Consultez le schéma électrique fourni avec l'appareil pour des informations plus spécifiques.

Tableau des valeurs nominales électriques — Modèles UGAL-xxD

Modèle	Tension	Puissance totaux	Circuit	Puissance circuit	Intensité circuit	Poids d'embarquement *
UGAL-18D	120 V	1060 W	1	1060 W	8.8 A	8 kg (17 lbs.)
	120/208 V	1040 W		1040 W	5.2 A	
	120/240 V	1060 W		1060 W	4.7 A	
UGAL-24D	120 V	1420 W	1	1420 W	11.8 A	9 kg (19 lbs.)
	120/208 V	1470 W		1470 W	7.5 A	
	120/240 V	1420 W		1420 W	6.4 A	
UGAL-30D	120 V	1620 W	1	1620 W	13.5 A	10 kg (21 lbs.)
	120/208 V	1800 W		1800 W	9.1 A	
	120/240 V	1920 W		1920 W	8.5 A	
UGAL-36D	120/208 V	2140 W	1	2140 W	10.9 A	11 kg (24 lbs.)
	120/240 V	2180 W		2180 W	9.8 A	
UGAL-42D	120/208 V	2420 W	1	1120 W	5.4 A	12 kg (27 lbs.)
			2	1300 W	6.9 A	
	120/240 V	2580 W	1	1200 W	5.0 A	
			2	1380 W	5.6 A	
UGAL-48D (Commandes droite/gauche)	120/208 V	3180 W	1	1960 W	9.4 A	14 kg (30 lbs.)
			2	1220 W	6.7 A	
	120/240 V	3240 W	1	2000 W	8.3 A	
			2	1240 W	6.2 A	
UGAL-48D (Commandes avant/arrière)	120/208 V	3180 W	1	1470 W	7.1 A	14 kg (30 lbs.)
			2	1710 W	9.1 A	
	120/240 V	3240 W	1	1500 W	6.3 A	
			2	1740 W	8.3 A	
UGAL-54D (Commandes droite/gauche)	120/208 V	3180 W	1	1960 W	9.4 A	15 kg (33 lbs.)
			2	1220 W	6.7 A	
	120/240 V	3240 W	1	2000 W	8.3 A	
			2	1240 W	6.2 A	
UGAL-54D (Commandes avant/arrière)	120/208 V	3180 W	1	1470 W	7.1 A	15 kg (33 lbs.)
			2	1710 W	9.1 A	
	120/240 V	3240 W	1	1500 W	6.3 A	
			2	1740 W	8.3 A	
UGAL-60D	120/208 V	4220 W	1	1960 W	9.4 A	17 kg (37 lbs.)
			2	2260 W	11.9 A	
	120/240 V	4300 W	1	2000 W	8.3 A	
			2	2300 W	10.8 A	
UGAL-66D	120/208 V	4220 W	1	1960 W	9.4 A	18 kg (40 lbs.)
			2	2260 W	11.9 A	
	120/240 V	4300 W	1	2000 W	8.3 A	
			2	2300 W	10.8 A	
UGAL-72D	120/208 V	4280 W	1	1960 W	9.4 A	20 kg (44 lbs.)
			2	2320 W	12.4 A	
	120/240 V	4360 W	1	2000 W	8.3 A	
			2	2360 W	11.3 A	

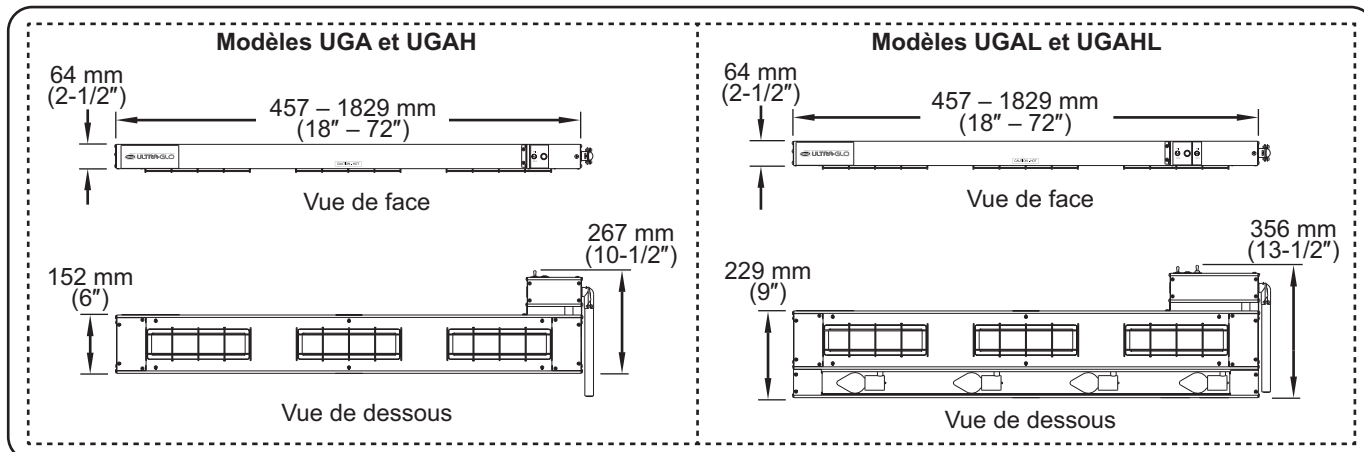
NOTA: Les modèles pour lesquels plusieurs voltages sont indiqués, comme 120/208 ou 120/240, ont plusieurs circuits internes. Par exemple, un modèle 120/208 volts utilise 120 volts pour le circuit d'éclairage et 208 volts pour le(s) circuit(s) de chauffage. Consultez le schéma électrique fourni avec l'appareil pour des informations plus spécifiques.

Tableau des valeurs nominales électriques — Modèles UGAHL-xxD

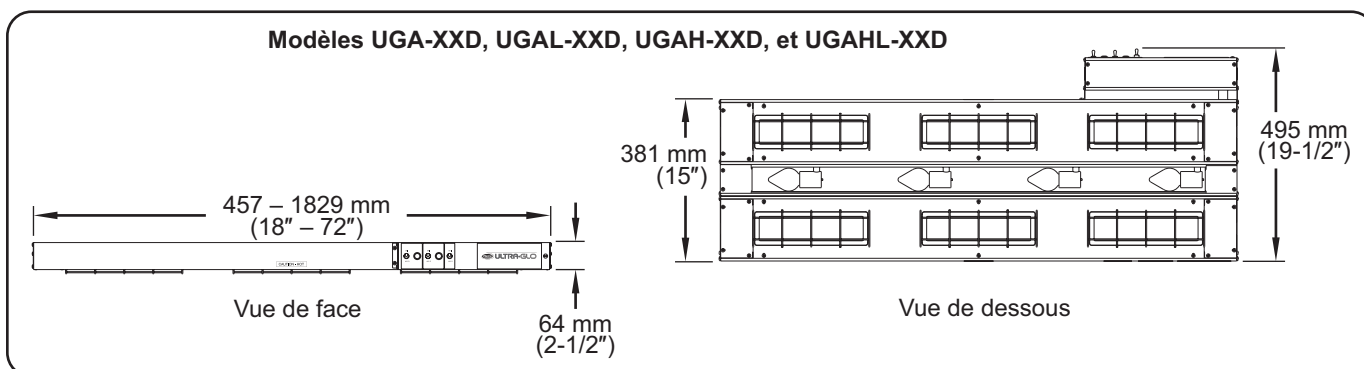
Modèle	Tension	Puissance totale	Circuit	Puissance circuit	Intensité circuit	Poids d'embarquement *
UGAHL-18D	120 V	1360 W	1	1360 W	11.3 A	8 kg (17 lbs.)
	120/208 V	1410 W		1410 W	7.0 A	
	120/240 V	1360 W		1360 W	5.9 A	
UGAHL-24D	120 V	1620 W	1	1620 W	13.5 A	9 kg (19 lbs.)
	120/208 V				8.2 A	
	120/240 V				7.3 A	
UGAHL-30D	120/208 V	2370 W	1	2370 W	11.8 A	10 kg (21 lbs.)
	120/240 V				10.4 A	
UGAHL-36D	120/208 V	2880 W	1	2880 W	14.5 A	11 kg (24 lbs.)
	120/240 V	2780 W		2780 W	14.0 A	
UGAHL-42D	120/208 V	3180 W	1	1500 W	7.2 A	12 kg (27 lbs.)
			2	1680 W	8.7 A	
	120/240 V	3180 W	1	1500 W	6.3 A	
			2	1680 W	7.8 A	
UGAHL-48D (Commandes droite/gauche)	120/208 V	4290 W	1	2700 W	13.0 A	14 kg (30 lbs.)
			2	1590 W	8.5 A	
	120/240 V	4140 W	1	2600 W	10.8 A	
			2	1540 W	7.5 A	
UGAHL-48D (Commandes avant/arrière)	120/208 V	4290 W	1	2025 W	9.7 A	14 kg (30 lbs.)
			2	2265 W	11.7 A	
	120/240 V	4140v	1	1950 W	8.1 A	
			2	2190 W	10.1 A	
UGAHL-54D (Commandes droite/gauche)	120/208 V	4740 W	1	3000 W	14.4 A	15 kg (33 lbs.)
			2	1740 W	9.2 A	
	120/240 V	4740 W	1	3000 W	12.5 A	
			2	1740 W	8.3 A	
UGAHL-54D (Commandes avant/arrière)	120/208 V	4740 W	1	2250 W	10.8 A	15 kg (33 lbs.)
			2	2490 W	12.8 A	
	120/240 V	4740 W	1	2250 W	9.4 A	
			2	2490 W	11.4 A	
UGAHL-60D	120/208 V	5700 W	1	2700 W	13.0 A	17 kg (37 lbs.)
			2	3000 W	15.5 A	
	120/240 V	5500 W	1	2600 W	10.8 A	
			2	2900 W	13.3 A	
UGAHL-66D	120/208 V	5700 W	1	2700 W	13.0 A	18 kg (40 lbs.)
			2	3000 W	15.5 A	
	120/240 V	5500 W	1	2600 W	10.8 A	
			2	2900 W	13.3 A	
UGAHL-72D	120/208 V	6360 W	1	3000 W	14.4 A	20 kg (44 lbs.)
			2	3000 W	14.4 A	
			3	360 W	3.0 A	
	120/240 V	6360 W	1	3000 W	12.5 A	
			2	3360 W	15.5 A	

* Ajoutez 1–3 kg (2-8 lb) au poids de livraison selon la taille du boîtier de contrôle à distance.

Dimensions — Modèles UGA, UGAH, UGAL, et UGAHL



Dimensions — Modèles UGA-xxD, UGAL-xxD, UGAH-xxD, et UGAHL-xxD



NOTA: Les dimensions affichées sont standard avec une entretoise de 76 mm (3") ; en cas d'utilisation d'une entretoise de 152 mm (6"), ajoutez 76 mm (3") à la profondeur.

Généralités

Utilisez les informations de cette section pour préparer l'installation de la rampe chauffante. Assurez-vous de repérer les informations spécifiques à votre modèle de rampe chauffante et à votre type d'installation. Les rampes chauffantes Ultra-Glo® sont expédiées avec la majorité des composants déjà montés. Les appareils doubles sont fournis avec une entretoise requise de 3" (76 mm) ou de 6" (152 mm) déjà montée en usine.

Le boîtier de contrôle à distance et le matériel de montage disponible en option doivent être installés sur place.

AVERTISSEMENT

RISQUE D'INCENDIE : N'installez pas l'appareil au-dessus ou à proximité de surfaces combustibles. Une décoloration ou une combustion pourraient survenir. L'appareil doit uniquement être installé dans un environnement non combustible.

ATTENTION

Assurez-vous que le fonctionnement est sûr et adapté. Référez-vous aux « Exigences minimales de dégagement » indiquées dans la partie INSTALLATION de ce manuel.

AVIS

Les dommages à toute partie du comptoir pouvant être causés par la chaleur générée par l'équipement de Hatco® ne sont pas couverts par la garantie de Hatco. Contactez le fabricant du comptoir pour plus de renseignements.

Ne masquez pas une rampe chauffante montée sur un passe-plat avec une sous-face décorative. Une chaleur excessive peut provoquer une défaillance prématurée des composants.

NOTA: Contactez le fabricant du matériel de base du comptoir pour des informations concernant l'application et les limites de température à la surface avant d'installer l'appareil.

1. Retirez l'appareil du carton de livraison et retirez tous les éléments d'emballage.

NOTA: Pour éviter des retards dans l'obtention de la couverture de la garantie, veuillez remplir l'enregistrement en ligne de votre garantie. Consultez la section INFORMATIONS IMPORTANTES POUR LE PROPRIÉTAIRE pour plus de détails.

2. Retirez l'adhésif et l'emballage de protection sur toutes les surfaces de l'appareil.

NOTA: Si l'appareil est doté d'équipement facultatif, consultez la partie OPTIONS ET ACCESSOIRES à la fin de ce manuel.

3. Installez/montez l'unité dans un endroit approprié.

- a. Vérifiez que les hauteurs de montage recommandées et les dégagements minimaux exigés soient respectés pour le modèle approprié. Reportez-vous à « Hauteurs recommandées de montage » et « Exigences minimales de dégagement » dans cette partie.
- b. Pour un montage avec des équerres de fixation réglables, veuillez vous référer à « Montage sous un plateau » dans cette partie.
- c. Pour un montage avec supports tubulaires, veuillez vous référer à « Montage en surface permanent » dans cette partie.
- d. Pour un montage avec des supports en T en hauteur, veuillez vous référer à « Montage en hauteur » dans cette partie.

Montage double

Lorsque vous montez des appareils côte à côte, un espace de plus de 76 mm (3") doit être maintenu entre les appareils. Les appareils doubles commandés à l'usine sont expédiés avec une entretoise préassemblée de 76 mm (3") ou de 152 mm (6").

AVIS

L'installation de deux appareils ou plus avec moins de 76 mm (3") entre les boîtiers peut entraîner une défaillance prématurée des composants. Le non-respect des distances appropriées peut entraîner un dommage thermique sur les composants électriques.

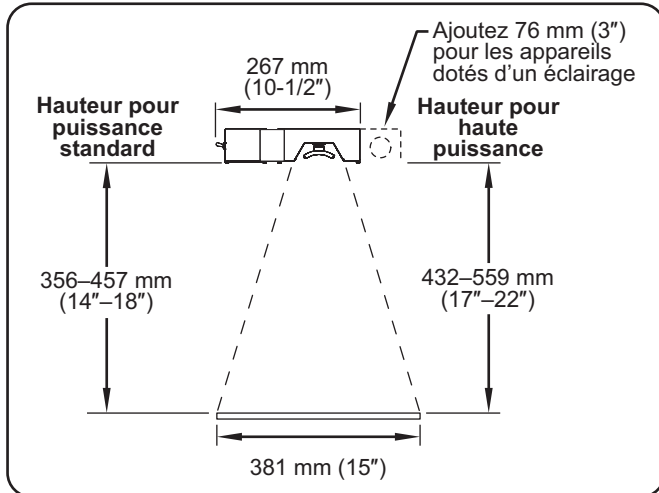
Montage sous un plateau

Lorsque vous montez un appareil sous un plateau, utilisez les équerres de fixation réglables pour assurer un espacement approprié. Les boîtiers de contrôle à distance sont recommandés pour maintenir les interrupteurs en dehors de la zone de chaleur et pour éviter toute défaillance prématurée.

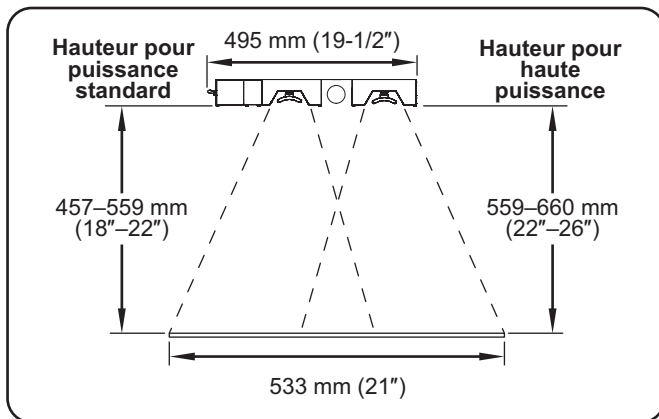
Passage

Si la zone de passage mesure 305 à 406 mm (12" à 16") de profondeur, un appareil simple peut être utilisé. Pour une zone de passage d'une profondeur de 508 à 610 mm (20" à 24"), un appareil double est recommandé. L'installation de plusieurs appareils requiert un espacement minimum de 76 mm (3") entre les rampes chauffantes.

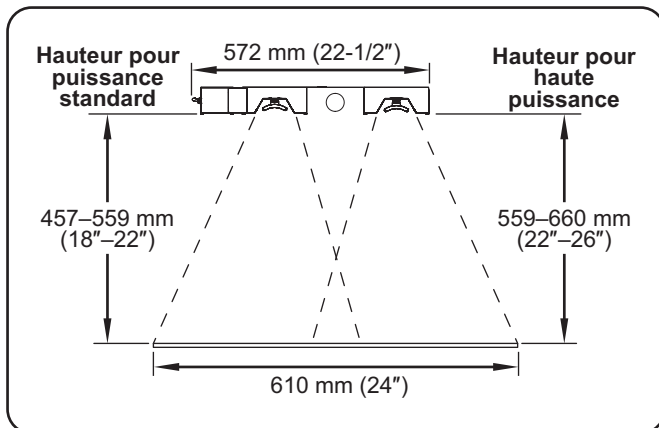
Hauteurs recommandées pour le montage



Hauteur de montage recommandée pour tous les modèles à profondeur élément simple UGA.



Hauteur de montage recommandée pour tous les modèles à profondeur élément double UGA avec entretoise 76 mm (3").



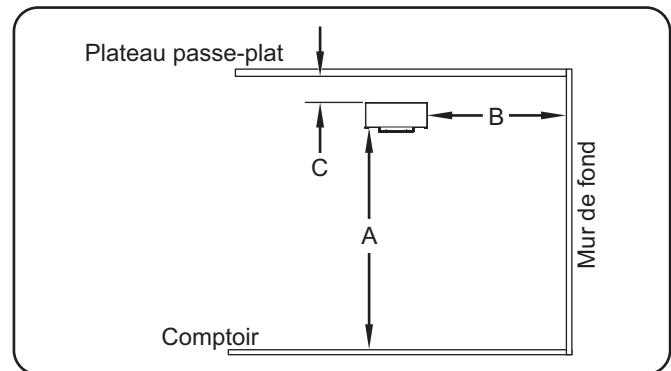
Hauteur de montage recommandée pour tous les modèles à profondeur élément double UGA avec entretoise 152 mm (6").

Exigences minimales de dégagement

⚠ AVERTISSEMENT

RISQUE D'INCENDIE : N'installez pas l'appareil au-dessus ou à proximité de surfaces combustibles. Une décoloration ou une combustion pourraient survenir. L'appareil doit uniquement être installé dans un environnement non combustible.

Modèles	A	B	C
UGA et UGAL	356 mm (14")	76 mm (3")	25 mm (1")
UGAH et UGAHL	432 mm (17")	76 mm (3")	25 mm (1")



Exigences de dégagement

Montage sous un plateau

Le montage sous un plateau attache d'une manière permanente l'unité en dessous d'un plateau. Les appareils peuvent être montés sous un plateau plat ou un plateau avec des bordures enroulées ou retournées en utilisant les équerres de fixation réglables fournies. Un espace minimum de 25 mm (1") est requis entre l'appareil et le dessous du plateau afin de prévenir tout dommage du système électrique de l'appareil en raison de la chaleur.



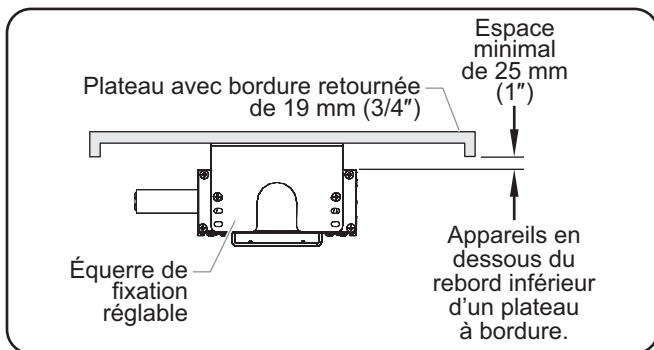
Assurez-vous que le fonctionnement est sûr et adapté. Référez-vous aux « Exigences minimales de dégagement » indiquées dans la partie INSTALLATION de ce manuel.

NOTA: Lorsque vous montez l'appareil sous un plateau, il est recommandé d'utiliser un boîtier de contrôle à distance.

Si le plateau a une bordure enroulée ou retournée, utilisez les orifices de passage de vis appropriés des équerres de fixation réglables pour monter l'appareil en dessous du rebord inférieur du plateau à bordure enroulée ou retournée. Les équerres de fixation réglables peuvent dégager un espace de 25 mm (1"), de 38 mm (1,5") ou de 51 mm (2") entre l'appareil et la face inférieure du plateau.

AVIS

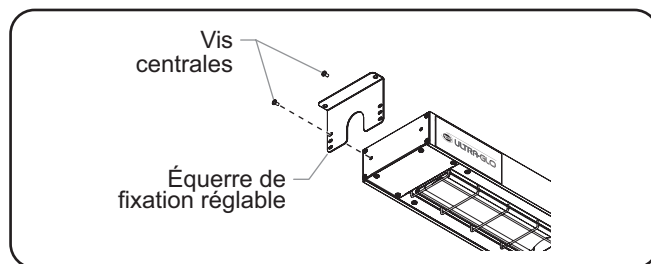
NE CACHEZ PAS l'appareil. L'appareil doit être installé en dessous du rebord inférieur d'un plateau à bordure enroulée ou retournée. Un montage inapproprié de l'appareil peut entraîner une défaillance prématurée des interrupteurs et annuler la garantie du produit.



Installation d'un plateau retourné

Montage avec des équerres de fixation réglables

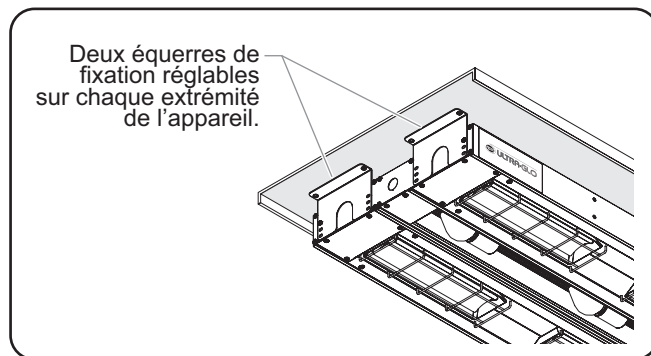
1. Positionnez l'unité sur une surface plane, les éléments chauffants face au sol.
2. Retirez les deux vis centrales de chaque extrémité de l'appareil.
3. Alignez les orifices appropriés sur l'équerre de fixation réglable avec les orifices des vis centrales sur une extrémité de l'appareil. Fixez l'équerre de fixation à l'aide des vis centrales retirées.
4. Répétez l'étape 3 pour chaque extrémité de l'appareil.



Installation de l'équerre de fixation réglable

5. Fixez l'équerre sous le plateau en utilisant les fixations adaptées (non fournies par Hatco®).

NOTA: Deux paires de supports seront nécessaires pour les unités doubles.



Montage des unités doubles

Montage en surface permanent

Les supports tubulaires fixent définitivement l'unité à un comptoir ou une table de service. Tout le câblage peut être dissimulé dans un des supports tubulaires.



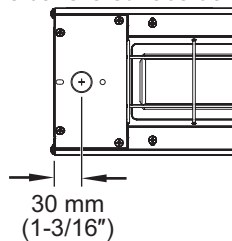
Assurez-vous que le fonctionnement est sûr et adapté. Référez-vous aux « Exigences minimales de dégagement » indiquées dans la partie INSTALLATION de ce manuel.

Les supports tubulaires en aluminium non réglables sont mis à disposition à intervalles de 25 mm (1"), entre 356 et 610 mm (14" à 24").

NOTA: Les supports tubulaires ne sont pas conçus pour s'adapter au terrain.

NOTA: Si le câblage doit être dissimulé, un trou de 25 mm (1") de diamètre doit être réalisé dans la surface de montage centrée sous le support contenant les conduits de câblage.

Distance entre l'extrémité de l'appareil et le centre de l'orifice du conduit. Nécessaire pour la découpe d'un orifice de 25 mm (1") de diamètre dans la surface de montage.



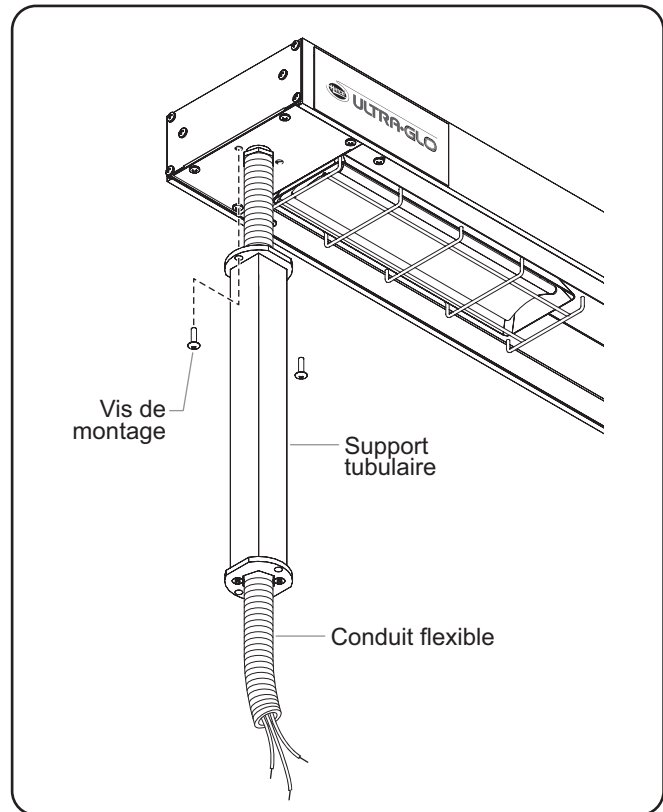
Dimensions de l'orifice de conduit du comptoir

1. Positionnez l'unité à l'envers sur une surface plane.

NOTA: Les appareils pour cette application sont fournis avec la conduite attachée à un des côtés de l'appareil. La conduite ne doit pas être retirée.

2. Si cela est applicable, faites passer le conduit flexible dans le centre de l'un des supports.
3. Tirez le support côté conduit contre l'appareil et fixez le support à l'appareil à l'aide des vis fournies.
4. Alignez le support du côté opposé avec les trous de montage à l'autre extrémité de l'appareil et fixez-le avec les vis fournies.
5. Si cela est applicable, faites passer le conduit flexible à travers la découpe d'orifice d'un diamètre de 25 mm (1") dans la surface de montage.
6. Fixez les supports à la surface de montage.

NOTA: Deux paires de supports seront nécessaires pour monter les unités doubles.



Montage du support tubulaire

Fixation supérieure

Le montage en hauteur avec support en T attache d'une manière permanente l'appareil à une surface en hauteur. Tout le câblage peut être dissimulé dans un des supports en T. Le montage en hauteur convient à des appareils à profondeur élément simple.

AVERTISSEMENT

Assurez-vous que le fonctionnement est sûr et adapté. Référez-vous aux « Exigences minimales de dégagement » indiquées dans la partie INSTALLATION de ce manuel.

Les supports en T sont disponibles en aluminium à longueurs non réglables de 76 à 254 mm (3" à 10").

NOTA: Les supports en T ne sont pas conçus pour s'adapter au terrain.

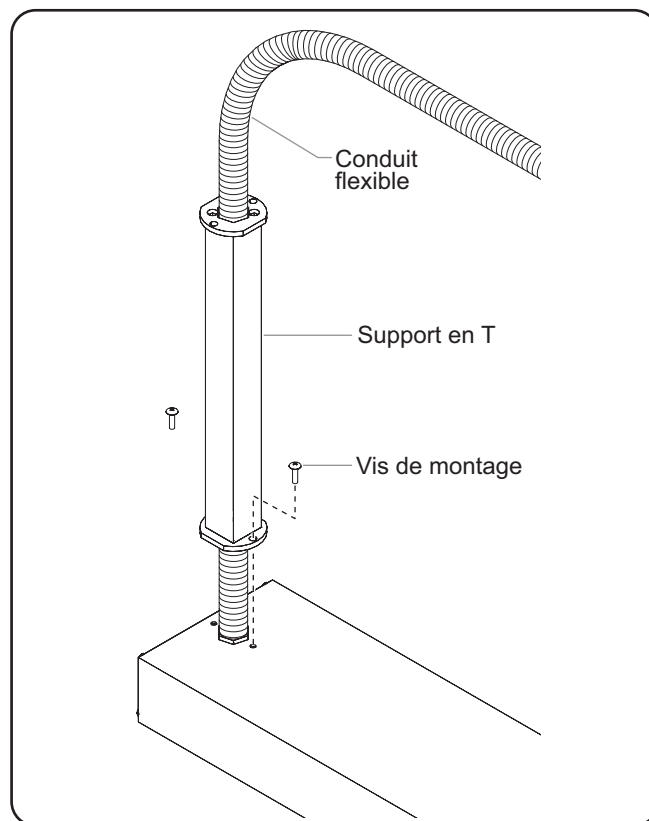
NOTA: Si le câblage doit être dissimulé, un trou de 25 mm (1") de diamètre doit être réalisé dans la surface de montage centrée au-dessus du support en T contenant les conduits de câblage.

1. Assurez-vous que la surface de montage en hauteur est sécurisée et permet à l'appareil d'être suspendu à un niveau et à une distance sécurisée et adaptée des murs, du comptoir et des aliments.
2. Positionnez l'unité sur une surface plane, les éléments chauffants face au sol.

NOTA: Les appareils pour cette application sont fournis avec la conduite attachée à un des côtés de l'appareil. La conduite ne doit pas être retirée.

3. Si cela est applicable, faites passer le conduit flexible dans le centre de l'un des supports en T.
4. Enfoncez le support en T côté conduit dans l'appareil et fixez le support à l'appareil à l'aide des vis fournies.
5. Alignez l'autre support en T avec les trous de montage à l'autre extrémité de l'appareil et fixez-le à l'appareil avec les vis fournies.
6. Si cela est applicable, faites passer le conduit flexible à travers la découpe d'orifice d'un diamètre de 25 mm (1") dans la surface de montage.
7. Soulevez doucement l'appareil et sécurisez les supports en T à la surface de montage en hauteur.

NOTA: Deux paires de supports en T seront nécessaires pour monter les unités doubles.



Montage avec support en T

Informations électriques

Référez-vous au schéma de câblage fourni avec l'appareil et à l'étiquette des caractéristiques jointe avec l'appareil pour des informations spécifiques concernant l'électricité. De plus, veuillez consulter le « Tableau de classification des tensions électriques » approprié dans la section CARACTÉRISTIQUES pour plus d'informations concernant l'appareil.

AVERTISSEMENT

RISQUE DE DÉCHARGE ÉLECTRIQUE : L'appareil doit être installé par un électricien qualifié. L'installation doit être conforme à l'ensemble des réglementations électriques locales. Une installation par un personnel non qualifié provoquera une annulation de la garantie de l'appareil. Cela peut également entraîner un choc électrique ou une brûlure et endommager l'unité et/ou les zones environnantes.

NOTA: Si l'appareil à installer n'apparaît pas dans ce manuel, référez-vous au diagramme de câblage fourni avec l'appareil et les informations d'installation de l'appareil pour plus d'instructions.

Alimentation électrique

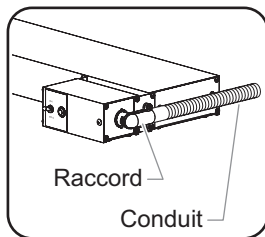
Installez un câble d'alimentation et des connecteurs adaptés pour une température d'au moins 90°C (194°F).

- Utilisez au minimum un câble en cuivre n°14 AWG pour les circuits individuels allant jusqu'à 15 ampères.
- Utilisez au minimum un câble en cuivre n°12 AWG pour les circuits individuels allant de 15 à 20 ampères.
- Utilisez au minimum un câble en cuivre n°10 AWG pour les circuits individuels allant de 20 à 25 ampères.

NOTA: Référez-vous au diagramme de câblage fourni avec l'appareil et à l'étiquette de spécification attachée à l'appareil pour obtenir des informations spécifiques concernant l'électricité.

Connexion de la conduite

Les connexions des appareils fournis avec une conduite correspondant au bon angle et flexible ont toutes été réalisées à l'usine. Raccorder à la bonne alimentation électrique mène à de hautes températures dans les câbles électriques dans la conduite.



NOTA: Référez-vous au diagramme de câblage fourni avec l'appareil et à l'étiquette de spécification attachée à l'appareil pour obtenir des informations spécifiques concernant l'électricité.

Boîtiers de contrôle à distance

Les boîtiers de contrôle à distance d'Hatco® (RMB) comportent des interrupteurs, des câbles électriques et/ou des indicateurs lumineux qui sont prêts pour l'installation. La bonne utilisation des RMB nécessite un RMB par rampe chauffante.

NOTA: Les boîtiers de contrôle à distance existent en plusieurs tailles. Tous les boîtiers sont construits conformément aux normes UL pour accueillir les interrupteurs, les témoins lumineux et le câblage. Ils sont prêts à être installés. Consultez la section Options à la fin de ce manuel.

REMARQUE IMPORTANTE :

Les interrupteurs et les boîtiers de commande montés à distance doivent être installés dans un endroit frais et sec aussi loin que possible de toute zone de chaleur. Ne montez pas les interrupteurs ou les boîtiers de commande directement sur, en dessous ou au-dessus de l'appareil. Ne montez pas les interrupteurs ou les boîtiers de commande directement en contact avec une surface chauffée ou près d'un équipement générant de la vapeur.

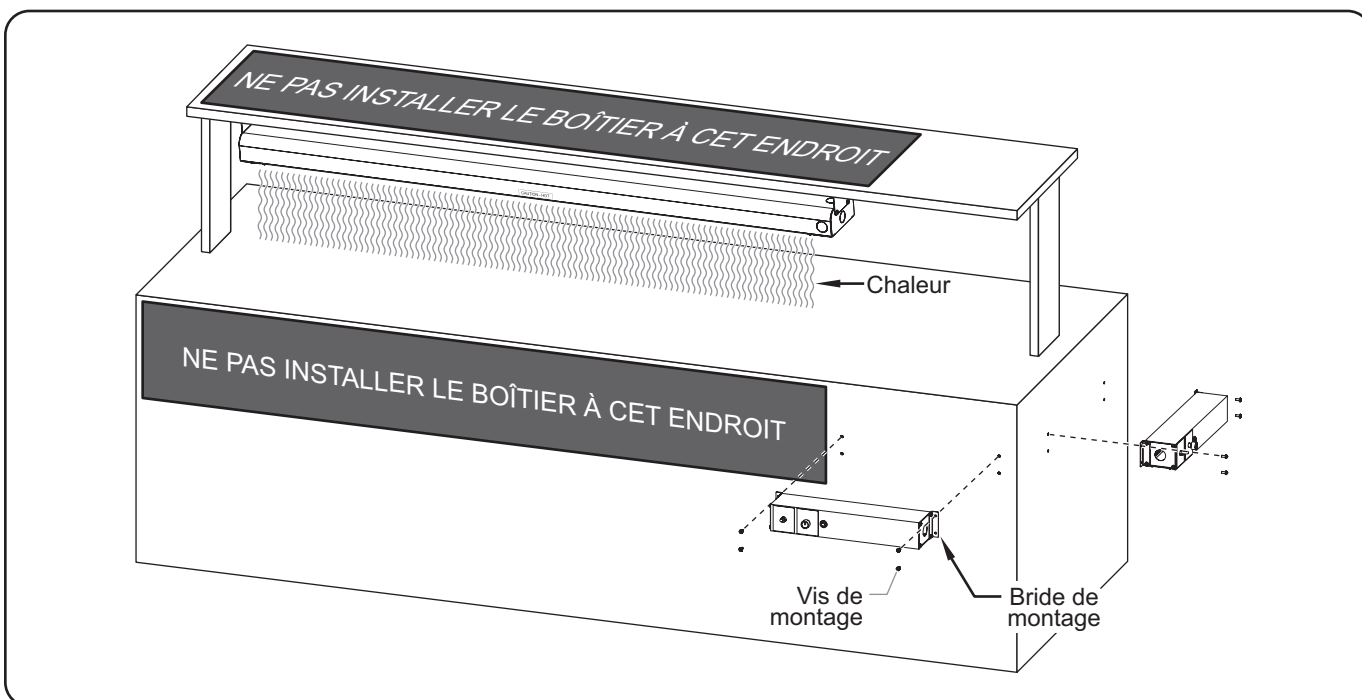
Interrupteurs de commande à distance installés

Les interrupteurs de commande à distance, en option, incluent les interrupteurs I/O (ON/OFF) et les interrupteurs de commande en continu. Ces interrupteurs doivent être installés par un électricien qualifié dans une boîte/un boîtier électrique approuvé (non fourni). Pour plus de détails, consultez la section OPTIONS ET ACCESSOIRES.

NOTA: Lorsque deux appareils ou plus sont montés là où la chaleur d'un boîtier tend à augmenter la température d'un autre, les interrupteurs de contrôle doivent être installés dans un boîtier de contrôle à distance. Les appareils dans une installation multiple doivent utiliser des interrupteurs de commande montés à distance.

AVIS

Des boîtiers de contrôle à distance doivent être installés à l'extérieur de la zone de chaleur de la rampe chauffante pour éviter toute défaillance prématurée des composants due à une chaleur excessive.



Emplacements pour l'installation du boîtier de contrôle à distance

Généralités

Utilisez les informations suivantes pour faire fonctionner des rampes chauffantes Ultra-Glo®.

⚠ AVERTISSEMENT

Consultez tous les messages de sécurité des INFORMATIONS DE SÉCURITÉ IMPORTANTES avant d'utiliser cet équipement.

⚠ ATTENTION

Les graisses standard et approuvées utilisées lors de la fabrication peuvent provoquer des fumées au cours du démarrage initial pendant 30 minutes. Il s'agit d'un état temporaire. Utilisez l'appareil sans produit alimentaire jusqu'à ce que la fumée disparaisse.

Commandes

Les rampes chauffantes sont livrées standard avec des commandes montées sur l'unité, ou avec des commandes à distance en option. Vous trouverez ci-dessous la liste des commandes disponibles pour les rampes chauffantes.

Interrupteur à bascule I/O (marche / arrêt)—Permet d'allumer et d'éteindre les éléments chauffants et/ou les lampes (selon la configuration du contrôle).

Contrôle infini—Coupe l'alimentation et contrôle la température des éléments chauffants. Le contrôle infini est disponible sur les boîtiers de contrôle à distance uniquement.

NOTA : Les unités disposant de boîtiers de contrôle installés en usine ne peuvent pas être équipées de contrôles infinis.

Interrupteur I/O (ON/OFF) des lumières—Allume ou éteint les lumières.

Témoin lumineux—Éclaire lorsque le courant est allumé, éteint lorsque le courant est éteint.

NOTA: Les appareils doubles nécessitent des témoins lumineux à distance.

NOTA: Les interrupteurs à bascule ne peuvent pas être utilisés sur des circuits qui dépassent 15 ampères. Le contrôle infini ne peut pas être utilisé sur des circuits qui dépassent 12,2 ampères.

Mise en service

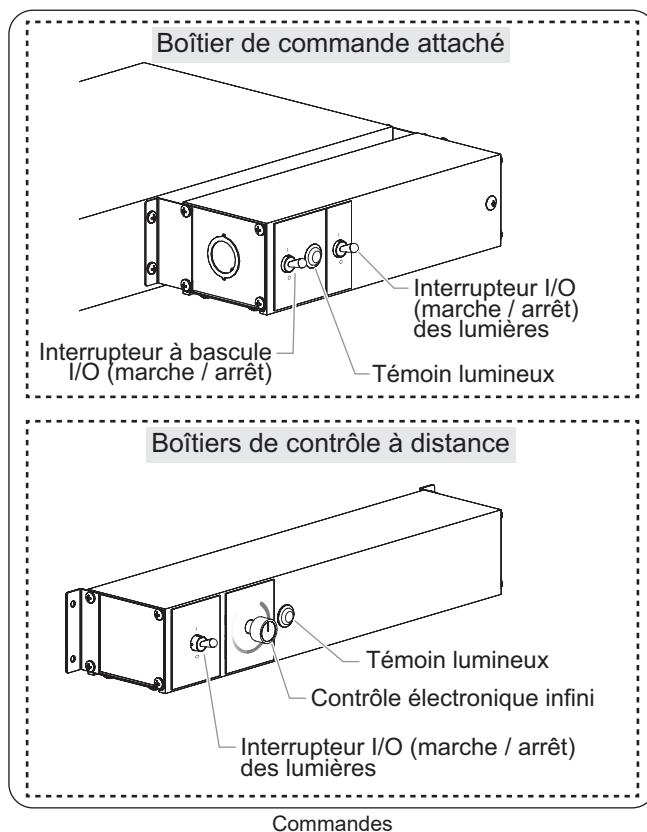
1. Allumez l'élément chauffant (ou les éléments chauffants). Le témoin lumineux (si l'unité est en équipée) s'allumera, et les éléments chauffants seront alimentés.
 - Si l'appareil est équipé d'un interrupteur à bascule I/O (marche / arrêt), placez-le en position I (marche).
 - Si l'unité est équipée de commande(s) en continu (en option), tournez la commande sur le réglage désiré.

NOTA: Atteindre la température de fonctionnement demande 15-20 minutes.

2. Sur les modèles équipés de lampes, placez l'interrupteur à bascule I/O (marche/arrêt) de l'éclairage sur la position I (marche).

⚠ ATTENTION

RISQUE DE BRÛLURES: Certaines surfaces extérieures de l'appareil seront chaudes. Évitez tout contact inutile avec l'appareil.



NOTA: Référez-vous à la section OPTIONS ET ACCESSOIRES pour plus d'informations sur le boîtier de contrôle à distance.

Arrêt

1. Placez l'interrupteur à bascule I/O (marche / arrêt) sur la position O (arrêt) et/ou placez le(s) contrôle(s) infini(s) en option sur la position O (arrêt).
 - Le témoin lumineux (s'il est équipé) s'éteindra, et les éléments chauffants s'éteindront.
2. Sur les modèles équipés d'éclairage, placez l'interrupteur à bascule I/O (marche / arrêt) de l'éclairage en position O (arrêt).

Généralités

Les rampes chauffantes Ultra-Glo® de Hatco® sont conçues pour offrir une durabilité et des performances maximales avec un minimum d'entretien.

AVERTISSEMENT

RISQUE DE DÉCHARGE ÉLECTRIQUE :

- Mettez l'interrupteur sur « OFF », coupez le courant au disjoncteur et laissez refroidir l'appareil avant d'effectuer toute opération de nettoyage, de réglage ou d'entretien.
- **NE PAS immerger dans l'eau ou mouiller abondamment. L'appareil n'est pas étanche. N'allumez pas l'appareil s'il a été immergé ou mouillé abondamment.**
- Ne nettoyez pas l'appareil à la vapeur et n'utilisez pas de l'eau en quantité excessive.
- L'appareil n'est pas résistant aux projections. N'utilisez pas de pulvérisation de jets nettoyants pour nettoyer l'appareil.
- Utilisez exclusivement des pièces de rechange d'origine de Hatco lorsque cela est nécessaire. L'utilisation de toute autre pièce entraînera l'annulation de toutes les garanties et pourrait exposer les utilisateurs à des tensions électriques dangereuses pouvant mener à des électrocutions ou à des brûlures. Les pièces authentiques Hatco sont conçues pour fonctionner de manière sûre et adaptée dans l'environnement dans lequel elles sont utilisées. Certaines pièces de rechange génériques ne disposent pas de caractéristiques leur permettant de fonctionner en toute sécurité dans des appareils Hatco.

Cet appareil ne contient aucune pièce réparable par l'utilisateur. Si cet appareil doit être réparé, contacter un réparateur Hatco agréé ou le Service après-vente Hatco au +1-414-671-6350.

AVIS

Utilisez uniquement des nettoyants non abrasifs et des chiffons doux. Les chiffons et nettoyants abrasifs pourraient érafler la finition de l'unité, entachant son apparence et la rendant susceptible à l'accumulation de saleté.

Nettoyage quotidien

Afin de préserver la finition de l'appareil et de conserver son efficacité, il est recommandé de le nettoyer quotidiennement.

1. Éteignez l'appareil et laissez-le refroidir.
2. Essuyez toutes les surfaces métalliques avec un tissu doux humide. Les taches tenaces peuvent être enlevées avec un nettoyant pour acier inoxydable ou un nettoyant non abrasif. Nettoyez les zones difficiles d'accès à l'aide d'une petite brosse et de savon doux.
3. Essuyez l'intégralité de l'unité en utilisant un chiffon doux et sec.

Remplacement des ampoules de la vitrine

AVERTISSEMENT

N'utilisez que des ampoules électriques qui correspondent ou qui sont supérieures aux normes de la Fondation NSF et qui sont spécifiquement conçues pour les espaces de conservation des aliments. Les bris d'une ampoule électrique non équipée d'un revêtement adapté peuvent provoquer des dommages corporels et/ou une contamination des aliments.

L'éclairage se compose d'une ampoule incandescente qui éclaire la zone de chauffage. Les ampoules sont recouvertes d'un enduit spécial pour éviter toute blessure et la contamination des aliments en cas de casse.

Pour remplacer les ampoules de la vitrine :

1. Déconnectez l'alimentation électrique et attendez que l'appareil ait refroidi.
2. Dévissez l'ampoule d'éclairage de l'appareil et remplacez-la par une nouvelle ampoule à incandescence ou à halogène, en option, spécialement enduite.

NOTA: Les ampoules lumineuses résistantes aux chocs d'Hatco répondent aux standards de la NSF pour la conservation de la nourriture et des zones d'étalage. Pour les utilisations avec une tension de 120, 120-208 et 120-240 volts, utilisez les références Hatco 02.30.265.00. Pour les utilisations avec une tension de 220 et 240 volts, utilisez les références Hatco 02.30.266.00.

⚠ AVERTISSEMENT

La réparation de cet appareil doit être confiée exclusivement à du personnel qualifié. Les réparations par des personnes non qualifiées peuvent provoquer des décharges électriques et des brûlures.

⚠ AVERTISSEMENT

DANGER DE DÉCHARGE ÉLECTRIQUE: Mettez l'unité hors tension depuis l'interrupteur, débranchez le cordon d'alimentation et laissez l'unité refroidir avant d'effectuer tout nettoyage, tout réglage ou tout entretien.

Symptôme	Cause Probable	Solution
L'appareil est sur « ON », mais il n'y a pas de chaleur.	Pas d'alimentation au niveau de l'appareil.	Vérifiez le disjoncteur et redémarrez si nécessaire.
	L'interrupteur est défectueux.	Contactez votre agent de maintenance agréé ou Hatco.
	Élément chauffant défectueux.	
	Le fusible est défectueux.	
	Le câblage est ouvert.	
La chaleur est inadaptée.	L'appareil est monté trop haut par rapport à la zone cible.	Baissez l'appareil, permettant de cibler plus efficacement la chaleur.
	Mouvement d'air excessif autour de la zone cible de la rampe chauffante.	Restreignez ou redirigez le mouvement de l'air (conduit d'air conditionné ou ventilateur) à distance de l'appareil.
	L'alimentation électrique est incorrecte (basse).	Vérifiez l'alimentation électrique de l'appareil, assurez-vous qu'il corresponde aux valeurs sur l'appareil. Si l'alimentation électrique est incorrecte, changez pour correspondre aux valeurs sur l'appareil.
La chaleur est excessive.	L'appareil est monté trop près de la zone cible.	Vérifiez pour vérifier que l'installation est conforme aux spécifications pour le type/modèle. Augmentez la hauteur du montage s'il est trop proche.
	La tension est trop élevée.	Vérifiez l'alimentation électrique de l'appareil, assurez-vous qu'il corresponde aux valeurs sur l'appareil. Si l'alimentation électrique est incorrecte, changez pour correspondre aux valeurs.
Les interrupteurs de contrôle grillent rapidement.	Les interrupteurs sont montés dans la zone de chaleur.	Vérifiez l'emplacement des interrupteurs conformément aux directives Hatco dans le manuel d'installation et d'utilisation. Déplacez les interrupteurs vers une zone plus froide si l'installation est incorrecte.
	Les interrupteurs utilisés ne sont pas fournis par Hatco.	Les pièces authentiques Hatco sont conçues pour fonctionner de manière sûre et adaptée dans l'environnement dans lequel elles sont utilisées. Contactez un agent agréé ou Hatco pour remplacer des interrupteurs par des pièces de remplacement authentiques Hatco.

Vous avez des questions en ce qui concerne les pannes?

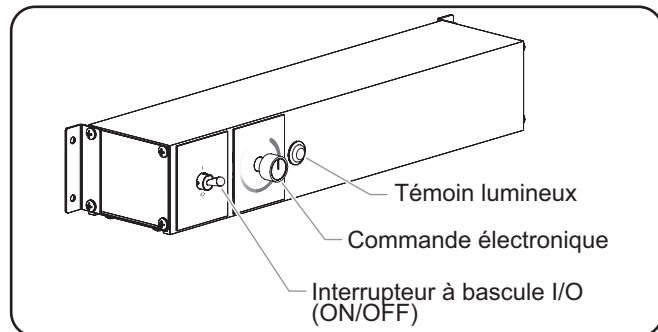
Si le problème persiste, veuillez contacter l'agence d'entretien agréée Hatco la plus proche ou Hatco pour obtenir une assistance. Pour trouver l'agence d'entretien la plus proche, rendez-vous sur le site Internet de Hatco (www.hatcocorp.com) et cliquez sur *Find Service Agent* (trouver un agent d'entretien), ou contactez l'équipe chargée de l'entretien et des pièces de Hatco :

Téléphone : +1-414-671-6350

e-mail: support@hatcocorp.com

Boîtiers de contrôle à distance

Les boîtiers de contrôle à distance Hatco® (RMB) sont disponibles dans des tailles et des configurations différentes pour une utilisation avec des rampes chauffantes. Les RMB déplacent les contrôles à distance de la chaleur constante de l'appareil, augmentant la longévité des contrôles. Tous les modèles sont construits conformément aux normes UL pour accueillir les interrupteurs, les témoins lumineux et le câblage.



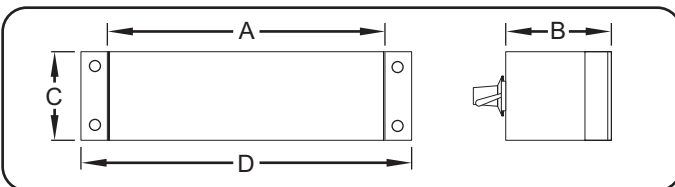
RMB (série RMB-14 illustrée)

AVIS

Des boîtiers de contrôle à distance doivent être installés à l'extérieur de la zone de chaleur de la rampe chauffante pour éviter toute défaillance prématurée des composants due à une chaleur excessive.

NOTA: La bonne utilisation des boîtiers de contrôle à distance nécessite un RMB par rampe chauffante.

Modèle	Largeur (A)	Profondeur (B)	Hauteur (C)	Largeur (D)
Série RMB-3	140 mm (5-1/2")	76 mm (3")	64 mm (2-1/2")	178 mm (7")
Série RMB-7	229 mm (9")	76 mm (3")	64 mm (2-1/2")	267 mm (10-1/2")
Série RMB-14	356 mm (14")	76 mm (3")	64 mm (2-1/2")	394 mm (15-1/2")
Série RMB-16	406 mm (16")	76 mm (3")	64 mm (2-1/2")	445 mm (17-1/2")
Série RMB-20	508 mm (20")	76 mm (3")	64 mm (2-1/2")	546 mm (21-1/2")
Série RMB-22	559 mm (22")	76 mm (3")	64 mm (2-1/2")	597 mm (23-1/2")
Série RMB-24	610 mm (24")	76 mm (3")	64 mm (2-1/2")	648 mm (25-1/2")



Dimensions — RMB

Ampoules DEL Chef

Les ampoules DEL Chef sont offertes pour tous les appareils. Les ampoules DEL Chef sont des ampoules électriques qui offrent des économies d'énergie par rapport aux ampoules à incandescence. Suivez les instructions ci-dessous pour le remplacement des ampoules :

120 Tension

3000K: R02.30.195.01

4000K: R02.30.196.01

230 Tension

3000K: R02.30.198.01

4000K: R02.30.199.01

GARANTIE, RECOURS EXCLUSIF :

Hatco® Corporation (le Vendeur) garantit que les produits qu'elle fabrique (les Produits) seront exempts de défauts de matériaux et de fabrication dans des conditions d'utilisation et de service normales et lorsqu'ils sont stockés, entretenus et installés en stricte conformité avec les recommandations de l'usine. La seule obligation du vendeur envers la personne ou l'entité qui achète les Produits directement auprès du Vendeur (le Client) dans le cadre de cette garantie est la réparation ou le remplacement par le Vendeur ou un organisme de service autorisé par le Vendeur, à la discrétion du Vendeur, de tout Produit ou de toute pièce de celui-ci jugés défectueux par le Vendeur après examen, pendant : (i) la Durée de la garantie à compter de la date d'expédition par le Vendeur ou (ii) la Durée de la garantie à compter de la date d'enregistrement du Produit conformément aux instructions écrites du Vendeur ; la durée la plus longue s'appliquant. La « Durée de la garantie » désigne les périodes spécifiques énoncées ci-dessous pour des composants spécifiques du Produit ou, si ceux-ci ne sont pas énoncés ci-dessous, une période de dix-huit (18) mois. Le crédit pour les Produits ou les pièces retournés avec l'autorisation écrite préalable du Vendeur sera soumis aux conditions indiquées sur le formulaire d'autorisation de retour de matériel du Vendeur. AUCUN CRÉDIT NE SERA ACCORDÉ POUR LES PRODUITS OU LES PIÈCES RETOURNÉS SANS AUTORISATION ÉCRITE PRÉALABLE DU VENDEUR. Les frais engagés par le Client pour retourner, remplacer ou retirer les Produits ne seront pas remboursés par le Vendeur. Si le défaut est couvert par la garantie limitée, les Produits seront réparés ou remplacés et retournés au Client, et les frais de retour seront payés par le Vendeur. La réparation ou le remplacement prévus dans les présentes est le recours exclusif du client. Toute utilisation inappropriée, modification, réparation, altération, mauvaise application, installation incorrecte, application d'une tension inappropriée, ou toute autre action ou inaction par le Client ou d'autres personnes (y compris l'utilisation de tout organisme de service non autorisé) qui, selon le seul jugement du Vendeur, affecte négativement le Produit annule cette garantie. La garantie expressément prévue dans les présentes ne peut être réclamée que par le Client et non par les clients du Client ou d'autres utilisateurs des Produits ; cependant, si le Client est un revendeur d'équipement autorisé par le Vendeur, le Client peut attribuer la garantie aux clients du Client, sous réserve de toutes les limitations des présentes Conditions, et dans ce cas, la garantie sera exclusivement contrôlée par le Vendeur conformément aux présentes Conditions. CETTE GARANTIE LIMITÉE EST EXCLUSIVE ET REMPLACE TOUTE AUTRE GARANTIE, EXPRESSE OU IMPLICITE, Y COMPRIS, MAIS SANS S'Y LIMITER, TOUTE GARANTIE IMPLICITE D'ABSENCE DE CONTREFAÇON, DE QUALITÉ MARCHANDE OU D'ADÉQUATION À UN USAGE PARTICULIER, QUI EST EXPRESSÉMENT DÉCLINÉE.

Garantie d'un (1) an pour les pièces et la main-d'œuvre, PLUS garantie d'un (1) an supplémentaire pour les pièces uniquement :

- Éléments du grille-pain à convoyeur (enveloppe métallique)
- Éléments des tiroirs chauffants (enveloppe métallique)
- Tiroirs, roues et glissières des tiroirs chauffants
- Éléments du réchaud (enveloppe métallique)
- Éléments de présentation du réchaud (enveloppe métallique, air chauffant)
- Éléments des armoires de stockage (enveloppe métallique, air chauffant)
- Éléments de puits chauffants — séries HW, HWB et HWBI (enveloppe métallique)

Garantie de deux (2) ans pour les pièces et la main-d'œuvre :

- Gammes à induction
- Réchauds à induction

Garantie de remplacement d'un (1) an :

- Grille-pain à éjection TPT

Garantie d'un (1) an pour les pièces et la main-d'œuvre, PLUS garantie de quatre (4) ans pour les pièces uniquement :

- Cuves 3CS et FR

Garantie d'un (1) an pour les pièces et la main-d'œuvre, PLUS garantie de neuf (9) ans pour les pièces uniquement :

- Cuves des appareils de chauffage d'appoint électriques
- Cuves des appareils de chauffage d'appoint à gaz

Garantie de quatre-vingt-dix (90) jours pour les pièces uniquement :

- Pièces de rechange

Nonobstant toute disposition contraire des présentes, la garantie limitée des présentes ne couvrira pas, à la seule discrétion du vendeur, les éléments suivants, mais sans s'y limiter : ampoules à incandescence enduites, éclairages fluorescents, ampoules de lampe chauffante, ampoules halogènes enduites, ampoules de lampe chauffante halogène, ampoules au xénon, tubes de lumière DEL, composants en verre et fusibles ; défaillance du Produit au niveau de la cuve d'appoint, de l'échangeur de chaleur à tubes à ailettes ou de tout autre équipement de chauffage de l'eau causée par la formation de calcaire, l'accumulation de sédiments, une attaque chimique ou le gel.

INSTRUCTIONS D'ENREGISTREMENT DE LA GARANTIE:

L'enregistrement du produit doit être soumis dans les 90 jours à compter de la date d'expédition de notre usine pour bénéficier d'une couverture supplémentaire. L'enregistrement peut être soumis via le formulaire sur le site Web du Vendeur, via le formulaire accessible grâce au code QR sur le Produit (le cas échéant) ou en appelant le service client en fournissant les informations requises au: **+1 414 671 6350**.

CLAUDE LIMITATIVE DE RESPONSABILITÉ :

LE VENDEUR NE SERA PAS TENU RESPONSABLE DES DOMMAGES INDIRECTS, ACCESSOIRES, CONSÉCUTIFS, PUNITIFS, EXEMPLAIRES OU DÉTERMINÉS, Y COMPRIS, MAIS SANS S'Y LIMITER, LES MANQUES À GAGNER, LES COÛTS DES PRODUITS DE SUBSTITUTION OU LES FRAIS DE MAIN-D'ŒUVRE RÉSULTANT DE LA VENTE, DE L'UTILISATION OU DE L'INSTALLATION DES PRODUITS, QUE LES PRODUITS SOIENT INCORPORÉS DANS D'AUTRES PRODUITS OU EN DEVIENNENT DES COMPOSANTS, OU DE TOUTE AUTRE CAUSE QUE CE SOIT, FONDÉE SUR UNE GARANTIE (EXPRESSE OU IMPLICITE) OU AUTREMENT FONDÉE SUR UN CONTRAT, UN TORT OU TOUTE AUTRE THÉORIE DE RESPONSABILITÉ, ET INDÉPENDAMMENT DE TOUT CONSEIL OU REPRÉSENTATION QUI AURAIENT PU ÊTRE DONNÉS PAR LE VENDEUR CONCERNANT LA VENTE, L'UTILISATION OU L'INSTALLATION DES PRODUITS, MÊME SI LE VENDEUR EST CONSCIENT DE LA POSSIBILITÉ DE TELS DOMMAGES. EN AUCUN CAS, LA RESPONSABILITÉ GÉNÉRALE DU VENDEUR DÉCOULANT DE CE CONTRAT OU LIÉE À CELUI-CI NE DÉPASSERA LES MONTANTS TOTAUX PAYÉS AU VENDEUR PAR LE CLIENT POUR LES PRODUITS DANS LA PÉRIODE DE TROIS (3) MOIS PRÉCÉDANT IMMÉDIATEMENT L'ÉVÉNEMENT DONNANT LIEU À UNE RÉCLAMATION DU CLIENT. LES LIMITATIONS ÉNONCÉES DANS LES PRÉSENTES CONCERNANT LA RESPONSABILITÉ DU VENDEUR SONT VALABLES ET EXÉCUTOIRES NONOBSTANT UN MANQUEMENT À L'OBJECTIF PRINCIPAL DU RECOURS LIMITÉ SPÉCIFIÉ DANS CES CONDITIONS.

Le vendeur se réserve le droit de mettre à jour ces conditions à tout moment, à sa seule discrétion, qui deviennent obligatoires à la date de publication. Pour la version la plus récente de nos conditions de vente complètes, consultez notre site Web à l'adresse : <https://www.hatcocorp.com/terms-of-sale>

AUTHORIZED PARTS DISTRIBUTORS • DISTRIBUTEURS DE PIÈCES AUTORISÉS

ALABAMA

Jones McLeod Appl. Svc.
Birmingham 205-251-0159

ARIZONA

Tech 24
Phoenix 602-234-2443

Byassee Equipment Co.
Phoenix 602-252-0402

CALIFORNIA

Industrial Electric
Commercial Parts & Service, Inc.
Huntington Beach 714-379-7100

Chapman Appl. Service
San Diego 619-298-7106

P & D Appliance
Commercial Parts & Service, Inc.
S. San Francisco 650-635-1900

COLORADO

Hawkins Commercial Appliance
Englewood 303-781-5548

FLORIDA

Whaley Foodservice Repair
Jacksonville 904-725-7800

Whaley Foodservice Repair
Orlando 407-757-0851

B.G.S.I./Heritage
Pompano Beach 954-971-0456

Comm. Appliance Service
Tampa 813-663-0313

GEORGIA

Heritage Service Group
Norcross 866-388-9837

HAWAII

Burney's Comm. Service, Inc.
Honolulu 808-848-1466

Food Equip Parts & Service
Honolulu 808-847-4871

ILLINOIS

Parts Town
Addison 708-865-7278

Eichenauer Elec. Service
Decatur 217-429-4229

Midwest Elec. Appl. Service
Elmhurst 630-279-8000

Cone's Repair Service
Moline 309-797-5323

IOWA

Goodwin Tucker Group
Des Moines 515-262-9308

KENTUCKY

Tech 24
Lexington 859-254-8854

Tech 24
Louisville 502-451-5411

LOUISIANA

Chandlers Parts & Service
Baton Rouge 225-272-6620

MARYLAND

Electric Motor Service
Baltimore 410-467-8080

MASSACHUSETTS

Ace Service Co., Inc.
Needham 781-449-4220

MICHIGAN

Bildons Appliance Service
Detroit 248-478-3320

Commercial Kitchen Service
Bay City 989-893-4561

Midwest Food Equip. Service
Grandville 616-261-2000

MISSOURI

General Parts
Kansas City 816-421-5400

Commercial Kitchen Services
St. Louis 314-890-0700

Kaemmerlen Parts & Service
St. Louis 314-535-2222

NEBRASKA

Anderson Electric
Omaha 402-341-1414

NEVADA

Burney's Commercial
Las Vegas 702-736-0006

Hi. Tech Commercial Service
N. Las Vegas 702-649-4616

NEW JERSEY

Jay Hill Repair
Fairfield 973-575-9145

Service Plus
Flanders 973-691-6300

NEW YORK

Alpro Service Co.
Maspeth 718-386-2515

Duffy's - AIS
Buffalo 716-884-7425

3Wire
Plattsburgh 800-634-5005

Duffy's - AIS
Sauquoit 800-836-1014

J.B. Brady, Inc.
Syracuse 315-422-9271

NORTH CAROLINA

Authorized Appliance
Charlotte 704-377-4501

OHIO

Akron/Canton Comm. Svc. Inc.
Akron 330-753-6634

Tech 24
Cincinnati 513-772-6600

Commercial Parts and Service
Columbus 614-221-0057

Electrical Appl. Repair Service
Brooklyn Heights 216-459-8700

E. A. Wichman Co.
Toledo 419-385-9121

OKLAHOMA

Hagar Rest. Service, Inc.
Oklahoma City 405-235-2184

OREGON

General Parts Group
Portland 503-624-0890

PENNSYLVANIA

Elmer Schultz Services
Philadelphia 215-627-5401

FAST Comm. Appl. Service
Philadelphia 215-288-4800

AIS Commercial Parts and Service
Pittsburgh 412-809-0244

K & D Service Co.
Harrisburg 717-236-9039

Electric Repair Co.
Reading 610-376-5444

RHODE ISLAND

Marshall Electric Co.
Providence 401-331-1163

SOUTH CAROLINA

Whaley Foodservice Repair
Lexington 803-996-9900

TENNESSEE

Camp Electric
Memphis 901-527-7543

TEXAS

Armstrong Repair Service
Houston 713-666-7100

Cooking Equipment Specialist
Mesquite 972-686-6666

Commercial Kitchen Repair Co.
San Antonio 210-735-2811

UTAH

La Monica's Rest. Equip. Service
Murray 801-263-3221

VIRGINIA

Daubers
Norfolk 757-855-4097

Daubers
Springfield 703-866-3600

WASHINGTON

3Wire
Seattle 800-207-3146

WISCONSIN

A.S.C., Inc.
Madison 608-246-3160

A.S.C., Inc.
Milwaukee 414-543-6460

CANADA

ALBERTA

Key Food Equipment Service
Edmonton 780-438-1690

BRITISH COLUMBIA

Key Food Equipment Service
Vancouver 604-433-4484

Key Food Equipment Service
Victoria 250-920-4888

MANITOBA

Air Rite, Inc.
Winnipeg 204-895-2300

NEW BRUNSWICK

EMR Services, Ltd.
Moncton 506-855-4228

ONTARIO

R.G. Henderson Ltd.
Toronto 416-422-5580

Choquette - CKS, Inc.
Ottawa 613-739-8458

QUÉBEC

Choquette - CKS, Inc.
Montreal 514-722-2000

Choquette - CKS, Inc.
Québec City 418-681-3944

UNITED KINGDOM

Marren Group
Northants +44(0)1933 665313

HATCO CORPORATION
P.O. Box 340500
Milwaukee, WI 53234-0500 U.S.A.
414-671-6350
support@hatcocorp.com
www.hatcocorp.com

Register your unit online!

See IMPORTANT OWNER INFORMATION
section for details.

Enregistrez votre appareil en ligne !

Lisez la section INFORMATIONS IMPORTANTES POUR
LE PROPRIÉTAIRE pour plus d'informations.