



# MACHO NACHO<sup>®</sup> CHIP WARMERS

Models FDWD-1-MN, FST-1-MN

The Hatco Macho Nacho<sup>®</sup> Holding and Display Cabinet is a high-visibility merchandiser for warming and displaying nacho chips. These heated displays use *no humidity* and hold up to 25 lbs. (11 kg) or 40 lbs. (18 kg) of chips, keeping them hot, fresh, and crisp considerably longer than other warmers, reducing refill time and minimizing waste.

The unique air flow forces warm air to the bottom and is distributed into the cabinet through holes in the floor panels, directing maximum heat to the chips being served. Macho Nacho<sup>®</sup> circulates air to prevent the loss of natural oils, eliminating the need to frequently replace stale chips.

Built of stainless steel and aluminum with tempered glass sides and doors, Macho Nacho features a stainless steel front housing, painted top, and eye catching decals.

## FLEXIBILITY

Macho Nacho's<sup>®</sup> two-door access permits easy loading and serving. Chips flow to the front of the cabinet when loading through the upper door and the heated, slanted floor panel slides the hot chips to the lower door for serving.

The user-friendly control panel makes it easy to operate and only minimum maintenance is required. The chip slide and floor panels are removable for ease of cleaning.

## QUALITY

The following features assure the finest performance for years to come:

- Built of stainless steel and aluminum with tempered glass sides and doors.
- Shatter-resistant incandescent lights enhance food appeal while safeguarding food products from bulb breakage.
- Snappy graphic decals for three sides help promote product.
- Anodized bronze finish is standard on the FST model.
- All models come with 6' (1829 mm) cord and plug.



Model FST-1-MN with standard bronze finish



Model FDWD-1-MN



ONE YEAR ON-SITE PARTS AND LABOR WARRANTY, PLUS ONE ADDITIONAL YEAR PARTS-ONLY WARRANTY ON ALL METAL SHEATHED AIR HEATING ELEMENTS,

HATCO CORPORATION P.O. Box 340500 Milwaukee, WI 53234-0500 U.S.A.  
 (800) 558-0607 • (414) 671-6350 • Fax (800) 543-7521 • Int'l. Fax (414) 671-3976  
 www.hatcocorp.com • E-mail: equipsales@hatcocorp.com

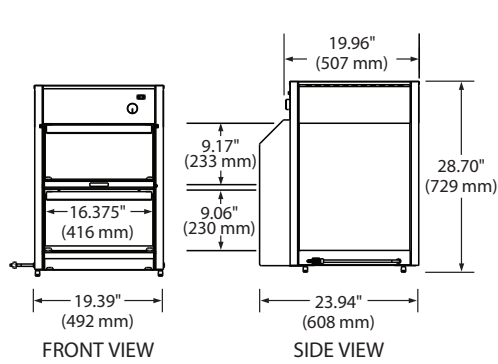
Form No. MN Spec Sheet

Printed in U.S.A.  
 October 2012

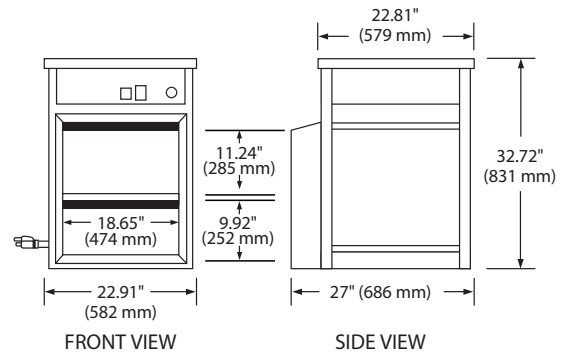


# MACHO NACHO<sup>®</sup> CHIP WARMERS

Models FDWD-1-MN, FST-1-MN



Model FDWD-1-MN



Model FST-1-MN

## SPECIFICATIONS

Model	Type	Shipping Weight
FDWD-1-MN	2 Doors	99 lbs. (45 kg)
FST-1-MN	2 Doors	132 lbs. (60 kg)

## DIMENSIONS

FDWD-1-MN: 19.39"W x 23.94"D x 28.70"H (492 x 608 x 729 mm).  
Cabinet Openings: Upper Door 16.38"W x 9.17"H (416 x 233 mm).  
Lower Door 16.38"W x 9.06"H (416 x 230 mm).

FST-1-MN: 22.81"W x 27"D x 32.72"H (582 x 686 x 831 mm).  
Cabinet Openings: Upper Door 18.65"W x 11.24"H (474 x 285 mm).  
Lower Door 18.65"W x 9.92"H (474 x 252 mm).

## VOLTAGE

FDWD-1-MN: 120 volts, 1080 watts, 9.0 amps (uses NEMA 5-15P).

220 volts, 950 watts, 4.3 amps (uses CEE 7/7 Schuko plug configuration).

240 volts, 1129 watts, 4.7 amps (uses BS-1363 plug configuration).

FST-1-MN: 120 volts, 1245 watts, 10.4 amps (uses NEMA 5-15P).

220 volts, 1219 watts, 5.6 amps (uses CEE 7/7 Schuko plug configuration).

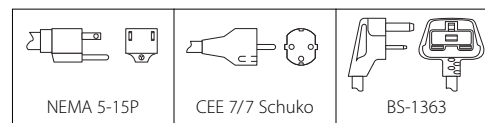
240 volts, 1252 watts, 5.2 amps (uses BS-1363 plug configuration).

## CORD LOCATION

FDWD-1-MN: Facing controls, left-hand side panel, bottom right corner.

FST-1-MN: Facing controls, left-hand side panel, bottom right corner.

## PLUG CONFIGURATIONS



## OPTIONS (NOT FOR RETROFIT)

- Clear Anodized Finish, non-standard colors are non-returnable

## PRODUCT SPECS

### Chip Warmer

The Holding and Display Cabinet shall be a Flav-R-Fresh<sup>®</sup> (or Flav-R-Savor<sup>®</sup>) Macho Nacho<sup>®</sup> Model ... as manufactured by the Hatco Corporation, Milwaukee, WI 53234 U.S.A.

The Chip Warmer Cabinet shall be rated at ... volts and ... watts and be ... inches (millimeters) in overall width.

It shall consist of two doors, tempered glass sides and doors,

incandescent display lights, and merchandising graphics. A 6' (1829 mm) cord with plug shall be attached.

One year on-site parts and labor warranty, plus one additional year parts-only warranty on all metal sheathed air heating elements, with 24/7 parts and service assistance (U.S. and Canada only).

**HATCO CORPORATION P.O. Box 340500 Milwaukee, WI 53234-0500 U.S.A. • (800) 558-0607 • (414) 671-6350**  
**Fax (800) 543-7521 • Int'l. Fax (414) 671-3976 • www.hatcocorp.com • E-mail: equipsales@hatcocorp.com**