

MIXER KETTLE, DIRECT STEAM LEG MOUNTED CONSOLE TYPE TILTING, 2/3 STEAM JACKETED

- MODELS:** MKDL-40-T MKDL-100-T
 MKDL-60-T MKDL-125-T
 MKDL-80-T MKDL-150-T

Cleveland Standard Features

- 3 HorsePower Hydraulic powered Agitator, Scraper and Bridge Lift
- Infinitely Variable Scraper Speed Control from 0 to 40 rpm
- Infinitely Variable Ratio between Scraper and Agitator: Agitator rotates from 0 to 8 times the speed of the Scraper
- Removable (without tools) Nylon Blades scrape the entire Jacketed Surface
- Safety Device prevents high speed Starts
- Mixing stops when Bridge is lifted
- Agitator and Scraper are Bayonet Mounted for easy removal
- Factory installed Chrome-Plated Steam Control Kit
- Tilt Mechanism of roller bearings and case hardened self-locking worm and segment gear
- Power Tilt standard on 150 gallon model
- 3" diameter Quick Opening Butterfly Valve
- Hot and Cold Water Faucet
- Condensate Valve with Insulated Handle
- 50 psi Steam Jacket Rating on 40 - 100 gallon models
- 35 psi Steam Jacket Rating on 125 & 150 gallon models
- All Plumbing, Electrical, Hydraulics enclosed in Stainless Steel Consoles
- Enclosed, 10 Gauge Stainless Steel hydraulically operated Mixer Bridge
- Kettles and all exterior surface are Stainless Steel
- Large Pouring Lip
- Gallon Markings stamped into Scraper Shaft
- Level adjustable solid feet (for floor bolting)
- Standard 208-240 volts, 60 Hz, 3 phase, 4 wire
- Typical approvals include NSF and ASME

Options & Accessories

- Covers (MTP)
- Product Time/Temperature Controls and Indicators
- Automatic Water Cooling (AWC-2)
- Alternate Draw-Off Valves
- Food Strainer (FS)
- Flow Diverter (FD)
- Pan Carrier (PCK)
- Swing Funnels (SF-1 or SF-2)
- Alternate Mounting Systems (wall)



Shown with optional Power Tilt

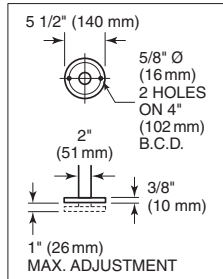
Short Form Specifications

Shall be CLEVELAND Tilting Mixer Kettle Model MKDL - ____ -T, Console/Leg mounted, Direct Steam Mixer Kettle with ____ psi Steam Jacket Rating. 3 H.P. Hydraulic powered Scraper/Agitator and Bridge Lift. 0-40 rpm Scraper Speed with Variable Scraper to Agitator Ratio from 1-1 to 8-1. Stainless Steel enclosed Mixer Bridge. All Plumbing, Electrical and Hydraulics enclosed in Consoles. Gallon markings, Bayonet Mounted Scraper and Agitator. 3" Butterfly Valve. Hot and Cold Water Faucet. Steam Control Kit. Safety Device prevents high speed starts; Mixer stops when Bridge is lifted. Kettle and all exterior surfaces are Stainless Steel.

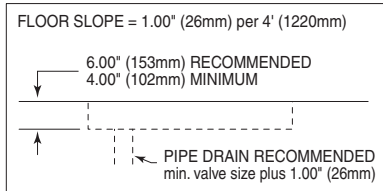
- Pressure Reducing Valve (PRV)
- Power Tilt (PT) where not standard
- Kettle Accessory Kit (KAK) includes:
 - Clean-up Brush (CB) 36" Kettle Paddle (KP)
 - 36" Kettle Whip (KW) 36" Kettle Brush (KB)
 - Draw-off Brush (DB) 24 oz. Ladle (KL)
- Type 316 Stainless Steel Kettle Interior for high acid food products (316-12G)
- Water Meter (GMF or LMF) built into system
- Accessories for connection to Food Pmps
- Leg Extensions (ELTMK)

DIMENSIONS ("/mm)

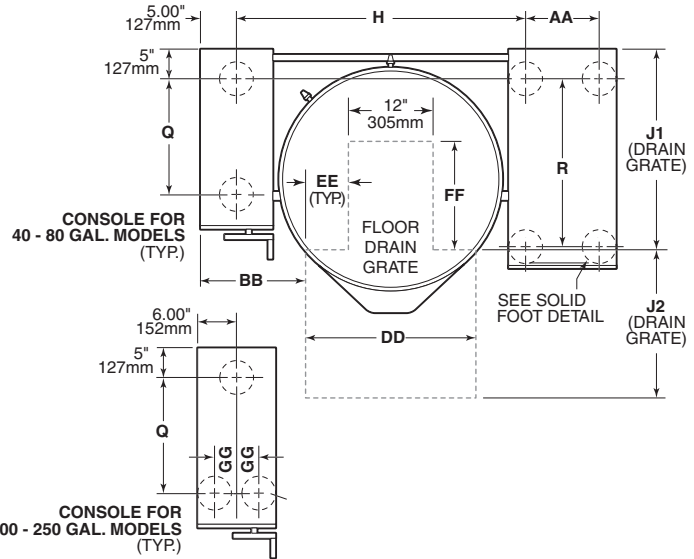
GAL./LT.	A	B	C	D	E	F	G	H	J1	J2	K	L	M	N	O	P	Q	R	S	T	U	V	W	X	Y	Z	AA	BB	CC	DD	EE	FF	GG	HH	MM
40/150	98.00	58.00	26.00	40.50	50.00	69.25	7.50	37.75	30.00	25.00	12.00	12.25	36.38	23.13	27.375	36.00	18.375	28.00	10.00	18.00	26.50	7.75	5.25	6.50	5.75	1.75	12.50	12.50	60.50	25.00	6.50	13.625	na	39.00	73.275
	2489	1473	660	1029	1270	1759	191	959	762	635	305	311	924	587	695	914	467	711	254	457	673	197	133	165	146	44	318	318	1537	635	165	346	na	991	1866
60/225	105.00	61.50	29.50	40.50	50.00	70.25	7.50	41.25	31.00	28.00	28.00	7.63	39.13	23.13	27.375	36.00	18.375	28.00	10.00	18.00	26.50	7.75	5.25	6.50	5.75	1.75	12.50	12.75	64.25	28.00	8.00	14.88	na	40.75	75.325
	2667	1562	749	1029	1270	1784	191	1048	787	787	216	194	994	587	695	914	467	711	254	457	673	197	133	165	146	44	318	324	1632	711	203	378	na	1035	1937
80/300	112.00	65.00	33.00	42.50	52.00	74.75	9.50	44.75	32.00	29.00	29.00	6.94	39.88	23.13	27.375	36.00	18.375	28.00	10.00	18.00	26.50	7.75	5.25	6.50	5.75	1.75	12.50	13.50	68.50	30.00	9.00	16.13	na	42.75	73.375
	2845	1651	838	1080	1321	1899	241	1137	813	711	216	176	1013	587	695	914	467	711	254	457	673	197	133	165	146	44	318	343	1740	762	229	410	na	1086	2026
100/375	121.00	69.50	35.50	44.50	54.00	78.25	11.50	48.25	33.00	29.00	29.00	6.69	41.13	23.13	29.375	36.00	18.375	28.00	12.00	18.00	26.50	7.75	5.25	6.50	5.75	2.50	12.50	15.75	73.25	32.00	10.00	17.00	3.25	43.75	85.325
	3073	1756	902	1130	1372	1988	292	1226	838	737	216	170	1045	587	746	914	467	711	305	457	673	197	133	165	146	64	318	400	1861	813	254	432	83	1111	2133
125/475	130.00	74.00	40.00	44.50	54.00	83.00	11.50	52.75	34.00	30.00	30.00	5.00	40.375	23.13	29.375	36.00	18.375	28.00	12.00	18.00	26.50	7.75	5.25	6.50	5.75	2.50	12.50	16.50	81.50	35.00	11.50	18.50	3.25	46.00	88.375
	3302	1880	1016	1130	1372	2108	292	1340	864	762	203	127	1026	587	746	914	467	711	305	457	673	197	133	165	146	64	318	419	2070	889	292	470	83	1168	2233
150/575	130.00	74.00	40.00	48.50	58.00	87.00	15.50	52.75	34.00	32.00	32.00	5.37	44.00	23.13	29.375	36.00	18.375	28.00	12.00	18.00	26.50	7.75	5.25	6.50	5.75	2.50	12.50	16.50	81.50	35.00	11.50	18.50	3.25	46.00	92.375
	3302	1800	1016	1232	1473	2210	394	1340	864	813	184	137	1118	587	746	914	467	711	305	457	673	197	133	165	146	64	318	419	2070	889	292	470	83	1168	2337



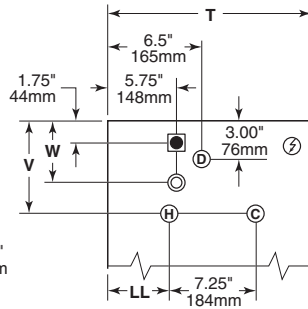
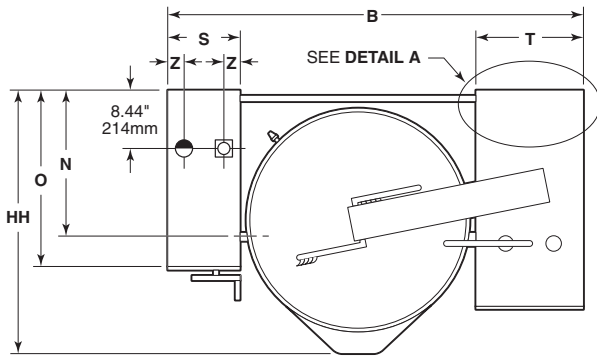
SOLID FOOT DETAIL



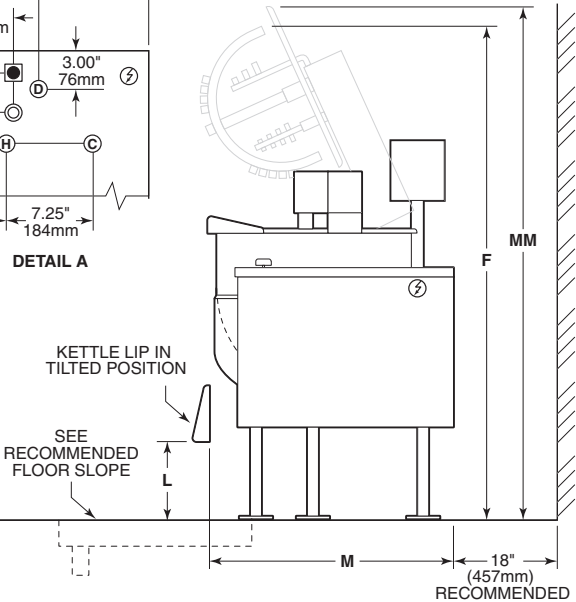
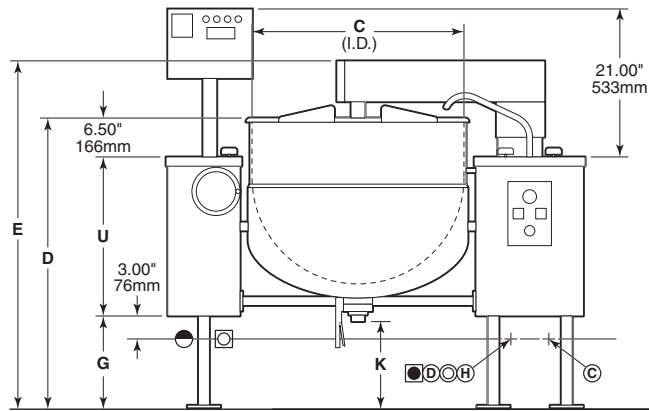
RECOMMENDED FLOOR SLOPE



CONSOLE FOR 100 - 250 GAL. MODELS (TYP.)



DETAIL A



ELECTRICAL

	Supply Voltage	Phase	Wires	HZ	Supply Amps	Wire Size
40-150 GAL.	200-208	3	3	60	15	12
	220-240	3	3	60	14	12
	380-415	3	3	60	9	14
	440-480	3	3	60	7	14

STEAM JACKET RATING

PSI	35	50	70	PSI	35	50	70
40 Gal.	N/A	ST	OP	100 Gal.	N/A	ST	OP
60 Gal.	N/A	ST	OP	125 Gal.	ST	N/A	OP
80 Gal.	N/A	ST	OP	150 Gal.	ST	N/A	OP

ST - Standard, OP - Optional, N/A - Not Available

UTILITIES

Direct Steam - 3/4" NPT (40 - 80 Gal.), 1 1/4" NPT (100 - 150 Gal.)	Cold Water Faucet - 3/4" NPT
Condensate Return - 3/4" NPT	Cooling Water In - 3/4" NPT
Hot Water Faucet - 3/4" NPT	Cooling Water Out - 3/4" NPT
	Automatic Drain - 3/8" NPT

CLEARANCE

Right - 0, Left - 0
Rear - 18" (457mm) Recommended
0 - Minimum

NOTES:

Cleveland Range reserves right of design improvement or modification, as warranted. Many regional, state and local codes exist and it is the responsibility of the owner and installer to comply with the codes. Installation of backflow preventers, vacuum breakers and other specific code requirements is the responsibility of the owner and installer. Cleveland Range equipment is built to comply with applicable standards for manufacturers. Included among those approval agencies are U.L., A.G.A., NSF, ASME/N.Bd., CSA, CGA, ETL and others.