

Cleveland

SteamCraft® Ultra 5

COUNTER TYPE DESIGN, PRESSURELESS CONVECTION
STEAMER, GAS STEAM GENERATOR, 70,000 BTU

Project _____
Item _____
Quantity _____
FCSI Section 11400 _____
Approved _____
Date _____

Steamcraft® Generator Style High Speed Convection Steamers

Models

- 21-CGA-5



Shown with optional Stand and Cafeteria pans

Standard Features

- Innovative PowerPak Gas Steam Generator:
- Naturally Fired 70 MBTU Generator is 72% Efficient
- Strong 14 Gauge Stainless Steel Construction
- Fully Automatic Electronic Spark Ignition (pilotless)
- Simple ON/OFF Start Switch: Ignites Burners and Water Fills into Pressureless Generator with ease.
- Easy Access Cleaning Port: Generator Cleaning Port located on the outside, top of the unit. Not necessary to remove hot panels or pan rack guides.
- Steam Generator Stand By Mode: Holds generator at a steaming temperature. Allows unit to start cooking instantly.
- Easytimer with 99 minute Digital Readout in minutes and seconds. Selector Dial with LED Light Descale Indicator. Sure Cook load compensating timer. Manual Constant Steam Mode.
- 4" Adjustable Legs.
- Automatic Generator Drain with a "Water Jet" drain cleaning feature.
- Exclusive Automatic Remote Float Type Water Level Control: Separate from the generator for easy access.
- Exclusive Steam Cooking Distribution System: Maintenance Free Exclusive Brass Steam Jets produce a high velocity convection steam without fans. Coved Corner design in cooking compartment distributes heat evenly, and is easy to keep clean. Creased top & bottom enhance drainage. Cold water condenser behind drain maintains a dry steam. Fully Insulated cooking compartment for thermal efficiency. Removable Stainless Steel Slide Racks for easy cleaning.
- Exclusive "Cool to the Touch" Two-Piece Compartment Door Design: Free floating inner door with reversible gasket provides an air tight seal. Stainless Steel Slam/Latch Door Latch mechanism for reliability.
- Standard with Cord & Plug for 115 volt controls.
- Left Hand Door Hinging: Compartment door hinged on left, controls on the right.

Short Form Specifications

Shall be CLEVELAND, SteamCraft® Ultra 5, one compartment, Counter-Type Steamer, Model 21-CGA-5, 70 M BTU, heavy duty all Stainless Steel construction; rear mounted, insulated Steam Generator with Remote Probe Type Water Level Controls and Automatic Steam Generator Blowdown with "Water Jet" Drain Cleaning feature.

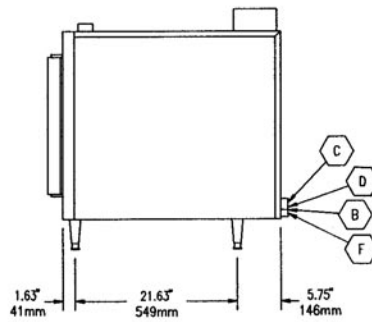
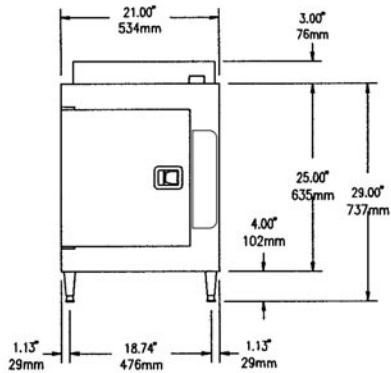
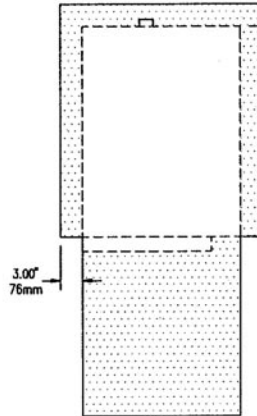
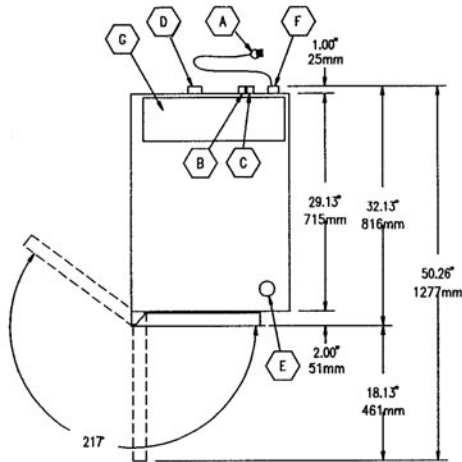
Options & Accessories

- 34" (864mm) High Stainless Steel Economy Stand, for one 21-CGA-5 (UniStand34)
- POSK Pull-Out Shelf Kit for UniStand (P/N 111724)
- URK Pan Rack Kit UniStand (P/N 111726)
- Cafeteria Pans in depths of 1", 2 1/2", 4" and 6"
- Dissolve® Descale Solution, 6 one gallon container w/quart markings (106174)
- Propane Gas option (PG)
- Water Filters
- Right Hand Door Hinging

KE004046-12

Cleveland

Steamcraft® Generator Style High Speed Convection Steamers



COMPARTMENT HAS CAPACITY FOR:

- Five, 12" x 20" x 2 1/2" deep Cafeteria Pans

WATER QUALITY REQUIREMENTS (Boilers, Generators)

TDS:	50-250 ppm
Hardness:	50 - 200 mm (3 - 12 gpg)
pH value:	7.0 - 8.5
CL (Chloride):	max 50 ppm
Cl2 (free chlorine):	max 0.1 ppm
SiO2 (silica):	max 13 ppm
NH2Cl: (mono-chloramine)	max 0.1 ppm
Total Alkalinity:	50 - 100 ppm

SHIPPING WEIGHTS & DIMENSIONS

Weight	Width	Depth	Height
260 lbs	31"	41"	37"

TOTAL CAPACITY	UTILITY CONNECTIONS		
5 — 12" x 20" x 2 1/2" Cafeteria Pans or 10 — 12" x 20" x 1" Cafeteria Pans or 3 — 12" x 20" x 4" Cafeteria Pans	(A) Electrical Supply	(D) Drain: 1-1/4" Dia. IPS	(G) Flue Gas Exhaust from Generator
	(B) Cold Water Supply for Condenser 1/4" Dia. NPT	(E) Inlet for Generator Deliming Solution	
	(C) Cold Water Supply for Generator. 1/4" Dia. NPT (for water treatment conn.) Unit comes with a 40 Mesh Water Strainer	(F) Gas Supply 1/2" Dia. IPS	

GAS	ELECTRIC	COLD WATER	DRAINAGE	CLEARANCE				
1/2" Dia. IPS	115V - 1 Phase 35 Watts 4 Amps	Cold water: 35 psi min., 60 psi max. Two 3/4" NH-F (Garden Thread) Connections. Use NSF approved hose. - one for Condenser - one for Steam Generator	1 1/2" N.P.T. IPS-M Do not connect any other units to this drain. Drain line must be vented. No PVC pipe for drain.	Right - 3", Left - 3", Rear - 3" (12" on control side if adjoining wall or equipment is over 30" high for service access) Contact factory for variances to clearances.				
SUPPLY PRESSURE <table border="1"> <thead> <tr> <th>NATURAL</th> <th>PROPANE</th> </tr> </thead> <tbody> <tr> <td>4.00" W.C. minimum 14.00" W.C. maximum</td> <td>12.00" W.C. minimum 14.00" W.C. maximum</td> </tr> </tbody> </table>		NATURAL	PROPANE	4.00" W.C. minimum 14.00" W.C. maximum	12.00" W.C. minimum 14.00" W.C. maximum			
NATURAL	PROPANE							
4.00" W.C. minimum 14.00" W.C. maximum	12.00" W.C. minimum 14.00" W.C. maximum							
Manufacturer must be notified if unit will be used above 2,000 ft. altitude.								

NOTES:

Cleveland Range reserves right of design improvement or modification, as warranted.
Many regional, state and local codes exist and it is the responsibility of the owner and installer to comply with the codes.
Cleveland Range equipment is built to comply with applicable standards for manufacturers. Included among those approval agencies are U.L./NSF#4 and CSA (AGA, CGA).

(NOT TO SCALE)

760 Beta Drive, Unit D
Mayfield Village, Ohio 44143

Tel 1.216.481.4900
Fax 1.216.481.3782
Email steam@clevelandrange.com

www.clevelandrange.com
Section 3, Page 6
11 / 23

Timeless Quality, Trusted For Life®