

# TB SERIES ICED TEA BREWERS AND DISPENSERS

Project	Date	Models	Item#	Quantity
		TB3 Brewer with B1/3T, B1/3 Dispenser & Base, B1/3T Dispenser, SU3P Dispenser & Base		



model TB3 Brewer with B1/3T Dispenser



model B1/3



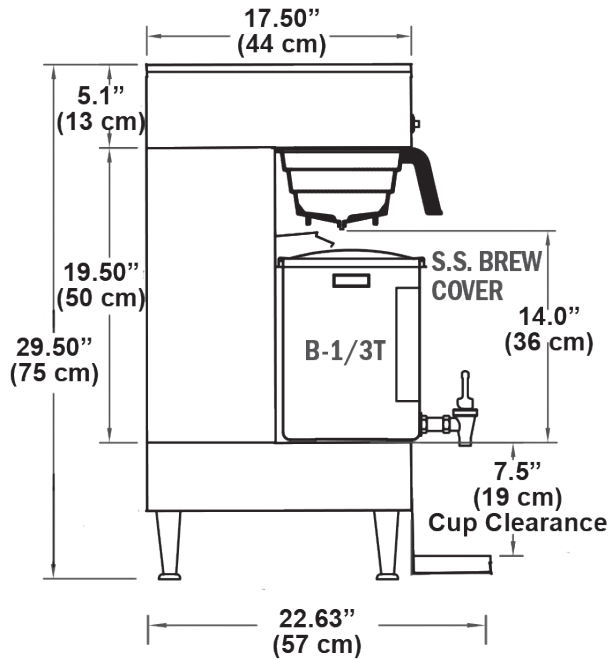
model SU3P

## Features

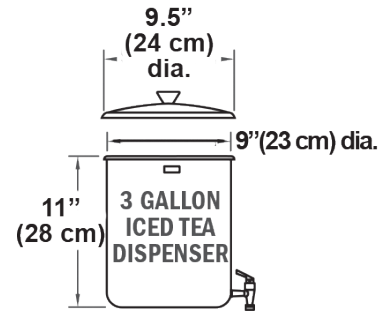
- Effortless brewing and dispensing!
- Low temperature lockout system - will not brew until the water has reached the proper temperature.
- Brew timer adjustment controls the brewing time.
- Stainless steel body construction.
- Brew - through cover.
- Delay timer adjustment.
- Clear brew funnel with restrictor.

# Models & Dimensions

## TB Series Iced Tea Brewers and Dispensers



**TB3 Brewer with B1/3T**



**B-1/3T Dispenser**

model TB3 Brewer with B1/3T

## Specifications

Model	Description	Electrical	Product Dimensions (H x W X D)	Ship Weight
<b>TB3 Brewer with B1/3T</b> (069363L)	3 gallon (11.4 L) capacity <b>C-UL US, NSF Certification</b>	120V / 15A / 1 Ph	29.5" x 9.25" x 22.63" (75 cm x 23 cm x 57 cm)	43 lbs. (19.5 kg)
<b>B1/3 Dispenser &amp; Base</b> (069370L)	3 gallon (11.4 L) capacity <b>NSF Certification</b>	n/a	20" x 9.5" x 13.75" (51 cm x 24 cm x 35 cm)	11 lbs. (5 kg)
<b>B1/3T Dispenser</b> (069380L)	3 gallon (11.4 L) capacity <b>NSF Certification</b>	n/a	11" x 9.5" x 9.5" (28 cm x 24 cm x 24 cm)	6 lbs. (2.7 kg)
<b>SU3P Dispenser &amp; Base</b> (069480L)	3 gallon (11.4 L) capacity <b>NSF Certification</b>	n/a	18.75" x 9.25" x 9.25" (48 cm x 23 cm x 23 cm)	9 lbs. (4.1 kg)

**Plumbing:** 0.25" (6.35 mm) water line required.  
**Electrical:** NEMA 5-15P line cord included.  
**Funnel:** All units come standard with plastic brew funnel.

