

Item#

Project

Date

Models: Copy

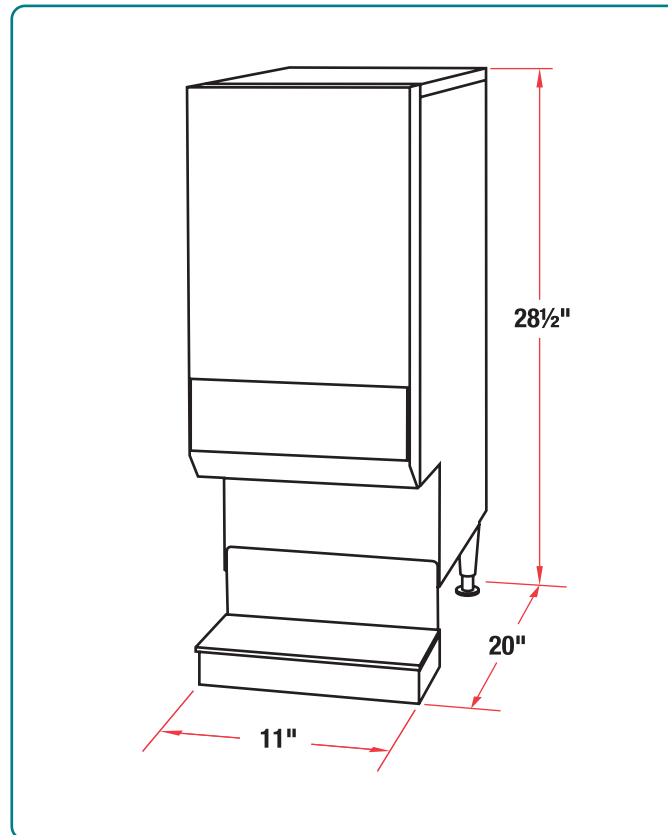


*Model GB3 LPO*

## Features

- **Compact, Space-Saving Size** – Satisfy the growing demand for oatmeal in just 11 inches of counter space
- **Easy to fill, dispense and clean**
- **Direct Drive Auger System** – Ensures perfect hopper alignment & “silent running”
- **Quick Change Transparency** – Simply lift up 2 tabs and pull out the graphic
- **Adjustable drip tray height** – to accommodate various cup sizes
- **Easy to adjust temperature settings**

## GB3 LPO Oatmeal Dispenser



## Specifications



Model	Description	Hoppers	Water Tank Capacity	Dimensions (H x W x D)	Electrical	Ship Weight
GB3 LPO	3-head oatmeal dispenser	Quantity: 3 Capacity: 4 lb (1.8 kg) each	2.75 gallons (10.4 L)	28.5" x 11" x 20" (72 cm x 28 cm x 51 cm)	120 V, 1.8 KW, 15 A	75 lbs. (34 kg)

**Electrical:** Line cord included, Nema plug 5-15P.  
Contact Grindmaster-Cecilware™ for more information. Specifications subject to change without notice.

