

Iced Tea Brewers & Dispensers

Dispense Fresh Brewed Iced Tea



Standard Features

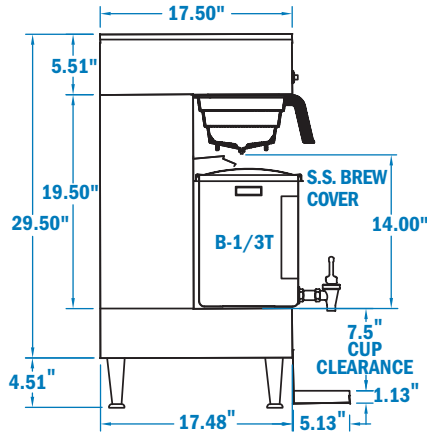
- **Easy to Clean Dispenser** - The two piece design is half the height of conventional offerings! This permits easy cleaning in foodservice sinks and pan washing equipment, which typically can not accommodate conventional dispensers.
- **Seamless Stainless Steel Dispenser** - A Cecilware exclusive, facilitates easier cleaning & prevention of contamination.
- **Low Temperature Lockout System** - Will not brew until the water has reached the proper temperature.
- **Brew Timer Adjustment** - Controls the brewing time.
- **Dispenser Urn** - Up to five gallon capacity.
- **Delay Timer Adjustment.**
- **Brew-Through Cover.**

Specifications subject to change without notice.

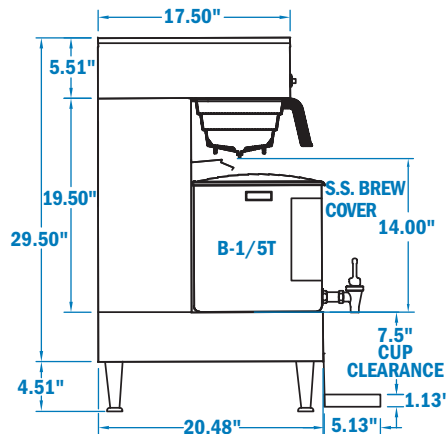
Iced Tea Brewers & Dispensers

Models & Dimensions

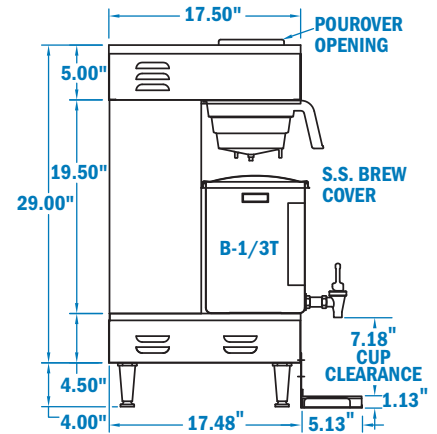
TB-3 Brewer with Dispenser



TB-5 Brewer with Dispenser



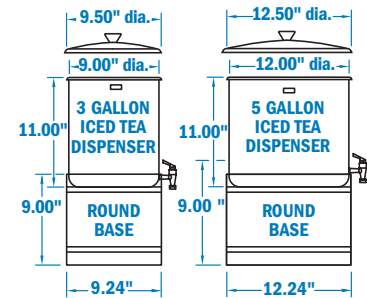
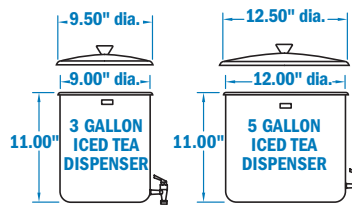
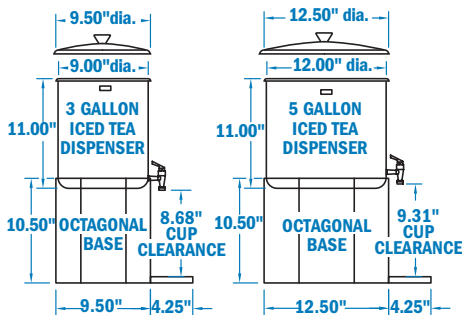
TB-3P Pour-Over Brewer with Dispenser



B-1/3 & B-1/5 Dispensers with Base

B-1/3T & B-1/5T Dispensers

SU3P & SU5P Dispensers with Base



Specifications

| Model | Capacity | Brew Time | Dimensions W x D x H | Electrical | Ship Weight |
|------------------------------------|----------|-----------|-------------------------|------------------|-------------|
| TB-3 Brewer with B-1/3T | 3 Gal. | 5 min. | 9¼" x 22⅞" x 29½" | 120V, 1.8KW, 15A | 43 lbs. |
| TB-5 Brewer with B-1/5T | 5 Gal. | 10 min. | 12" x 25⅞" x 29½" | 120V, 1.8KW, 15A | 50 lbs. |
| TB-3P Pour-Over Brewer with B-1/3T | 3 Gal. | 6 min. | 9¾" x 22⅞" x 29½" | 120V, 1.8KW, 15A | 43 lbs. |
| B-1/3 Dispenser & Base | 3 Gal. | - | 9½" x 13¾" x 20" | - | 11 lbs. |
| B-1/5 Dispenser & Base | 5 Gal. | - | 12½" x 16¾" x 20" | - | 18 lbs. |
| B-1/3T Dispenser | 3 Gal. | - | 9½" x 9½" x 11" | - | 6 lbs. |
| B-1/5T Dispenser | 5 Gal. | - | 12½" x 12½" x 11" | - | 11 lbs. |
| SU3P Dispenser & Base | 3 Gal. | - | 9¼" x 9¼" x 18¾" | - | 9 lbs. |
| SU5P Dispenser & Base | 5 Gal. | - | 12" x 12" x 18¾" | - | 15 lbs. |

Plumbing: ¼" water line required, except TB-3P. **Electrical:** Line cord included, Nema plug 5-15P. **Optional:** Stainless steel funnel. **Filters:** For plastic funnel, order #412 filters, For stainless steel funnel, order #514 filters. Specifications subject to change without notice.