



VS-1.5, VS-1.5S, VS-1.0S, VS-S, AVS-1.5A & AVS-1.0A

Item#

Project

Date

Models: VS-1.5, VS-1.5S, VS-1.0S,
VS-S, AVS-1.5A & AVS-1.0A

Shuttle® Brewers & Stands



Model VS-1.5S

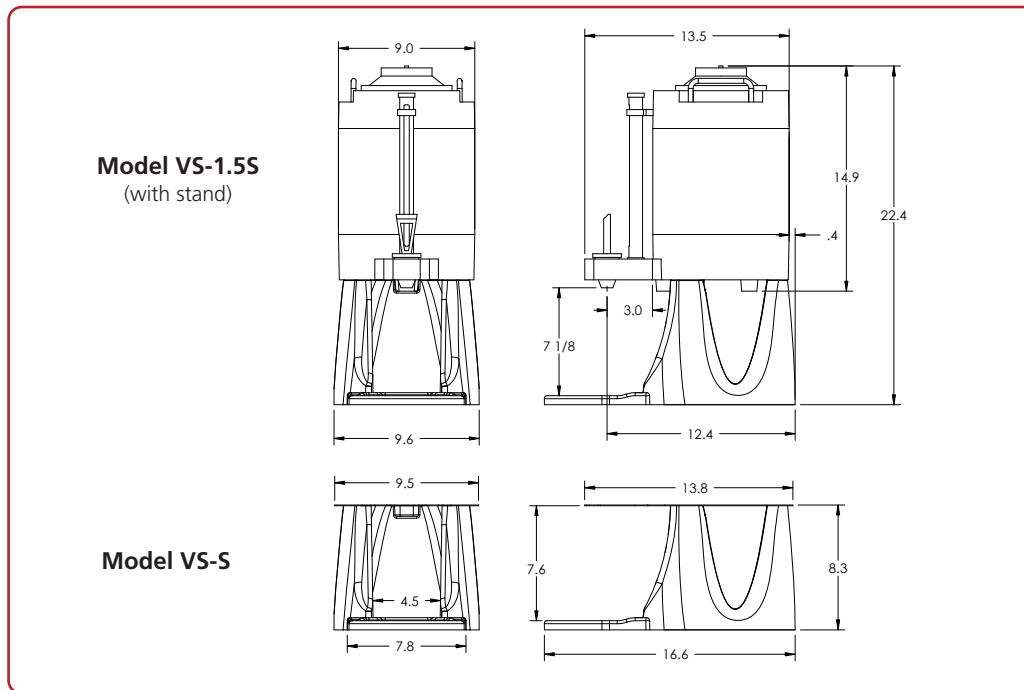
Features

- Brew-Thru® lid
- NSF approved
- Stainless steel exterior and interior
- Adaptable to most large volume commercial coffee makers
- Compact design for easier mobility
- Maintains perfect coffee holding temperature



Models & Dimensions

VS-1.5, VS-1.5S, VS-1.0S, VS-S, AVS-1.5A & AVS-1.0A 1.5 & 1.0 gal. Vacuum Insulated Shuttle®



Specifications

Specifications	AVS-1.5A	VS-1.5S	AVS-1.0A	VS-1.0S	VS-S
Description	Vacuum insulated Shuttle®	Shuttle® with stand attached	Vacuum insulated Shuttle®	Vacuum insulated Shuttle® with stand attached	Stand for vacuum insulated Shuttle®
Capacity	1.5 gal. (5.7L)	1.5 gal. (5.7L)	1.0 gal. (3.8L)	1.0 gal. (3.8L)	N/A
Temperature Retention	4°F loss after 2 hours 8°F loss after 5 hours	4°F loss after 2 hours 8°F loss after 5 hours	4°F loss after 2 hours 8°F loss after 5 hours	4°F loss after 2 hours 8°F loss after 5 hours	N/A
Insulation	Vacuum	Vacuum	Vacuum	Vacuum	N/A
Outside Surface	Stainless steel and black glossy plastic	Stainless steel and black glossy plastic	Stainless steel and black glossy plastic	Stainless steel and black glossy plastic	Black glossy plastic
Inside Liner	Stainless steel	Stainless steel	Stainless steel	Stainless steel	N/A
Faucet Clearance	N/A	7.2" (18 cm)	N/A	7.2" (18 cm)	N/A
Dimensions (H x W x D)	14.9" x 9.0" x 13.5" (37 cm x 23 cm x 34.5 cm)	22.5" x 9.5" x 16.5" (57 cm x 24 cm x 42 cm)	12.5" x 9.0" x 13.5" (32 cm x 23 cm x 34.5 cm)	20.1" x 9.5" x 16.5" (51 cm x 24 cm x 42 cm)	8.5" x 9.5" x 16.5" (22 cm x 24 cm x 42 cm)
Shipping Dimensions (H x W x D)	17" x 15.25" x 11" (43 cm x 39 cm x 28 cm)	25" x 12.5" x 17" (64 cm x 32 cm x 43 cm)	17" x 15.25" x 11" (43 cm x 39 cm x 28 cm)	25" x 12.5" x 17" (64 cm x 32 cm x 43 cm)	12" x 12.5" x 16.5" (31 cm x 32 cm x 42 cm)
Weight	7.5 lbs. (3.4 kg)	10 lbs. (4.5 kg)	6.5 lbs. (3.0 kg)	9 lbs. (4.1 kg)	2.5 lbs. (1.1 kg)
Shipping Weight	10 lbs. (4.5 kg)	13 lbs. (5.9 kg)	10 lbs. (4.5 kg)	13 lbs. (5.9 kg)	3.5 lbs. (1.6 kg)
Listings	NSF	NSF	NSF	NSF	NSF

All specifications are subject to improvement or change without notice.



GRINDMASTER-CECILWARE™ 4003 Collins Lane, Louisville, KY 40245 USA

Tel: +1.502.425.4776 / 800.695.4500 (USA & Canada only) • Fax: +1.502.425.4664 • www.gmcw.com • Email: info@gmcw.com