



Item # \_\_\_\_\_

Project \_\_\_\_\_

Date \_\_\_\_\_

# Single Space Saver Urn

## Dual Wall Insulated Heat Exchanger

Models 8113, 8116, 80110

Electric



### Features:

- **Fresh Water Brewing**  
Water used for brewing is fresh water that is heated in a coiled, nickel-plated, copper heat exchange tube inside the urn. As water passes through the heat exchanger coil it is heated to optimum brew temperature.
- **Electropolished Liners**  
Smooth surface on coffee liner for easy cleaning
- **Dual wall urn body with fiberglass insulation**  
Energy Savings minimizes heat loss, saves air-conditioning costs.
- **Compact design**  
Less than 22" (56 cm) of counter space required.
- **Durable Construction**  
All A.I.S.I. type 304, 18-8 stainless steel
- **Constant Brew Temperature**  
Brew temperature varies less than 5°F (3°C) throughout spray over
- **Automatic Coffee Agitation**  
Thoroughly mixes brewed coffee immediately after spray over is completed
- **Automatic refill of water compartment**  
Water compartment automatically refills and reheats as needed.

- **Low water cutoff System**  
Protects heating elements from burn out, at start-up or in operation.
- **Velvet Smooth Spray Arm**  
Teflon® coating on spray arm piston prevents liming and insures smooth operation. Positive "stops" on spray arm for operator ease.

### Easy to operate:

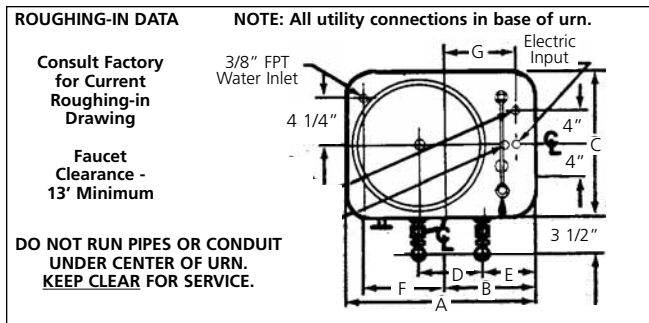
- **Fully Automatic – Push Button Operation**  
Simply load brew basket with coffee, align spray arm over basket lid hole and press brew start button.
- **Easy Adjustment of spray over rate**  
Simple screwdriver adjustment. No awkward changing of parts.
- **Adjustable Bypass valve on spray arm**  
Enables proper coffee extraction even with variable water conditions
- **Dial Thermometer with color-marked brew zone.**
- **Thermostat adjustable from front**  
Knob on thermostat has four marked positions: Brew, Hold, Night Standby and Off.

### Serviceable:

- **Drain valve in bottom**
- **Control drawer with all electrical components is accessible from the front**

# Single Space Saver Urn

## Dual Wall Insulated Heat Exchanger



Model No.	8113	8116	80110
Coffee Capacity	3 gal.	6 gal.	10 gal.
Actual Brew Time	6 Mins.	9 Mins.	14 Mins.
Brews Per Hour	5	3	2
Gallons Per Hour	15	18	20
Number of 5 oz. Cups/Hour	375	450	550

Model No.	8113		8116		80110	
Heater Size - KW	10.5 KW	8 KW	12 KW	11.5 KW	15 KW	
Heater Voltage	240V	208V	240V	208V	240V	208V
Amperes Drawn - 1Ph	44	38	50	54	63	72
Amperes Drawn - 3Ph	25	22	29	31	36	42

For 408V-3PH supply - divide amperes for 240V-3Ph by 2.

Model Number	A	B	C	D	E	F	G	Work Height	Overall Height
8113	19"	9-1/2"	16-1/4"	5-1/2"	5-1/2"	6"	8"	23-1/2"	29"
8116	22"	11"	17-3/4"	7-5/8"	5-1/2"	7-1/2"	9-1/2"	29-1/2"	35"
80110	22"	11"	17-3/4"	7-5/8"	5-1/2"	7-1/2"	9-1/2"	31-1/2"	38-1/2"

Brew Basket Selection Chart					
Brews	3 Gal.	6 Gal.	10 Gal.	1/2 Batch on 6 Gal.	1/2 Batch on 10 Gal.
Part No.	BB3	BB6	BB810	BB6-3	BB810-6

NOTE: All SS Permanent Filter Brew Basket with SS woven wire cloth bottom is available. Filter paper is available from our stock. See price list.

### Design Specification (Fill in the blanks)

Coffee urn, fully automatic single \_\_\_\_\_ gallons in coffee liner. Fresh water brewing using heat exchange system. Electric service \_\_\_\_\_.

All controls to be located in recessed base of urn and to operate on 120V.

Dual wall fiberglass insulated - Model 8113 or 8116 or 80110

All AISI 304, 18-8 stainless steel construction. To include: positive low water cutoff system, automatic refill, automatic air agitation, bypass on spray arm, variable sprayover rate, electropolished liner and one all stainless steel brew basket for paper filters. Two years parts, one year labor warranty included.

U.L. listed, NSF approved.

Include following options: Select as desired. For details see Options Section.

OPTION 47 Low Temp No Brew

OPTION 57 Jug Filler Hose

One Extra S.S. Brew Basket for Filter Paper

OPTION \_\_\_\_\_ Any other option as selected from options section.

### DOUBLE SERVICE (SELF SERVICE) FAUCET OPTIONS

For details see.

OPTION DS-4 - 1 Coffee, 1 Water, no gages rear

OPTION DS-5 - 1 Coffee, 1 Water, with gages rear

AMW Model 8113 or 8116 or 80110 with options specified above or alternate model of (other manufacturer) including all features and options specified above.

### Electric Services Available

#### Neutral Wire Required

120/208V - Single Phase - 3 Wire

120/208V - Three Phase - 4 Wire

120/240V - Single Phase - 3 Wire

#### We Supply Control Transformer For:

208V - Single Phase - 2 Wire

208V - Three Phase - 3 Wire

240V - Single Phase - 2 Wire

240V - Three Phase - 3 Wire

480V - Three Phase - 3 Wire - Extra Cost

All services include terminal block connection.



**GRINDMASTER™**  
CORPORATION

Grindmaster® Coffee Grinders and Brewers • PrecisionBrew™ Brewing Systems • Espresso® Espresso Machines  
Crathco® Hot Beverage Dispensers • Crathco® Cold and Frozen Beverage Dispensers • AMW Coffee and Tea Systems  
Tel (502) 425-4776 • Fax (502) 425-4664 • 1-800-695-4500 (USA & Canada only)

P.O. Box 35020 • Louisville, KY 40232 • USA