

Model 250RH

Removable Hopper Coffee Grinder



Model 250RH-2

Grindmaster Corporation's 250RH-2 and 250RH-3, removable hopper grinders, offer fully automatic portion control, positive bean flow and precise portioning at all weights with all coffees, even oily dark roast and flavored varieties. The clear, easy to handle, removable hoppers allow the operator to offer a variety of coffee flavors just by switching hoppers. The hopper's bean exit port automatically closes when the hopper is removed from the grinder. These grinders offer precision grinding burrs for an accurate grind profile and fast grinding time every time to accommodate all brewing methods.



GRINDMASTER™
CORPORATION

250RH-2 / 250RH-3

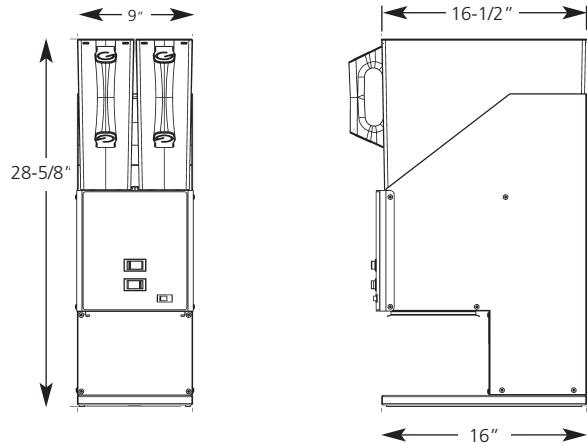
Removable Hopper Coffee Grinder

Standard Features:

- Easy and accurate dispensing of all coffee roasts and flavored coffees
- Precise, consistent throws at all weights
- Large, clear, removable hoppers
- Portioning individually set for each coffee type
- Patented portioning system gives unit a wide dispensing range
- Large grinding burrs for excellent grind profile and fast grinding time
- Accommodates all types of brewing equipment
- Patented universal brew rails accept all brew baskets
- 1/2 HP motor with circuit breaker
- Grindmaster Corporation's exceptional warranty**
- Troubleshooting guide with toll-free service number affixed to back of each grinder
- **Special Burrs Assure Accurate Grind** - Grindmaster Corporation's world famous burrs are precision ground and lapped in pairs to provide an efficient uniform grind profile proven by RoTap. This results in the best profile and most consistent throw.

** Grindmaster Corporation's Warranty:

Burrs - 4 years parts (or 30,000 pounds of coffee, whichever comes first),
1 year labor; All other components - 2 years parts, 1 year labor



| Specifications | Model 250RH-2 | Model 250RH-3 |
|----------------------------------------|-----------------------------------------------|-----------------------------------------------|
| Voltage | 115VAC / 60Hz Single Phase | 115VAC / 60Hz Single Phase |
| Amps | 9A | 9A |
| Motor | 1/2 HP | 1/2 HP |
| Hopper Capacity | 5+ lbs. (2.5 kg) each side | 5+ lbs. (2.5 kg) each side |
| Timer | Digital Timer | Digital Timer |
| Portion Range | 1/4 to 18 oz. (7 to 510.3 gm) | 1/4 to 18 oz. (7 to 510.3 gm) |
| Features | Dual portions, Grind-Selector™ | Three portions, Grind-Selector™ |
| Dimensions (H x W x D) | 28-5/8" x 9" x 16" (73 cm x 23 cm x 41 cm) | 28-5/8" x 9" x 16" (73 cm x 23 cm x 41 cm) |
| Shipping Dimensions (H x W x D) | 34" x 14" x 20" (86 cm x 36 cm x 51 cm) | 34" x 14" x 20" (86 cm x 36 cm x 51 cm) |
| Weight | 54 lbs. (24.5 kg) | 54 lbs. (24.5 kg) |
| Shipping Weight | 62 lbs. (28 kg) | 62 lbs. (28 kg) |
| Listings (pending) | UL, CUL Electrical | UL, CUL Electrical |

Specifications are subject to improvement or change without notice.



GRINDMASTER™
CORPORATION

Grindmaster® Coffee Grinders and Brewers • PrecisionBrew™ Brewing Systems • Espresso® Espresso Machines
Crathco® Hot Beverage Dispensers • Crathco® Cold and Frozen Beverage Dispensers • AMW Coffee and Tea Systems
Tel (502) 425-4776 • Fax (502) 425-4664 • 1-800-695-4500 (USA & Canada only)

P.O. Box 35020 • Louisville, KY 40232 • USA