

Belgian Waffle Makers

with Dial Controls



A great addition to any kitchen, these belgian waffle makers are perfect for diners, cafes, and hotel breakfast bars. Powerful and efficient, they are designed to keep up with your busiest rush. Plus, they comes with all of the necessary features to quickly create great tasting waffles!



- Rotating non-stick cooking grids
- 5 Minute timer with audible “ding”
- Makes waffles up to 7½” in diameter
- Adjustable temperature controls
- Easy to clean, removable drip tray
- Ergonomic, cool-touch handle



Item #382WBM26

DOUBLE BELGIAN WAFFLE MAKER



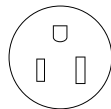
Features

- Two independently controlled waffle grids that each rotate 180 degrees for the perfect waffle
- Makes 7½” waffles
- Bakes up to 40 waffles per hour
- Five minute timer with audible “ding”
- Thermostatic temperature control up to 570° F
- Orange temperature light and green power light
- Sturdy base
- Ergonomic cool touch handles
- Removable drip tray



Dimensions

Unit Dimensions	19.75”W x 17.25”D x 11.75”H
Temperature	Up to 570°



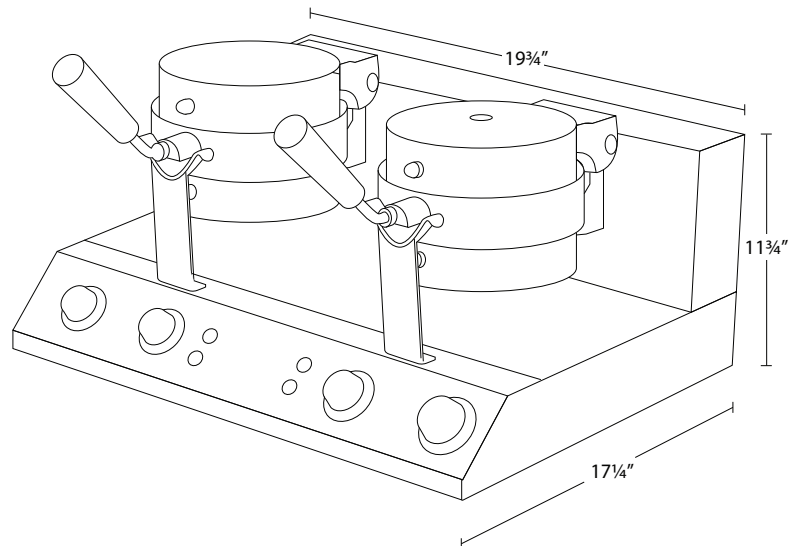
NEMA 5-15P

Electrical



Voltage	120V
Wattage	2200W (1100 per side)
Amps	10.8/side, 21.6 total
Plug Type	(2) NEMA 5-15P

This unit can be plugged into the same 20 amp GFCI outlet, but cannot be plugged into the same 15 amp GFCI outlet.



Compatible Items from



Belgian Waffle Mix

(382BELWAF)

- 6 - 5 lb. bags

Belgian Waffle Mix

(999BELWAF)

- 5 lb. bags



WWW.CARNIVALKINGSUPPLIES.COM