

Belgian Waffle Makers

with Digital Controls



A great addition to any kitchen, these belgian waffle makers are perfect for diners, cafes, and hotel breakfast bars. Powerful and efficient, they are designed to keep up with your busiest rush. Plus, they comes with all of the necessary features to quickly create great tasting waffles!



- Rotating non-stick cooking grids
- Intuitive digital controls with timer
- Makes waffles up to 7" in diameter
- Adjustable temperature controls
- Easy to clean, removable drip tray
- Ergonomic, cool-touch handle



Item #382WBM13DGT

SINGLE DIGITAL BELGIAN WAFFLE MAKER

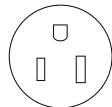


Features

- Intuitive digital controls with timer
- Temperature adjustable up to 445 degrees Fahrenheit
- Two rotating non-stick cooking grids
- Makes waffles up to 7" in diameter
- Bakes (20) 1 1/4" thick waffles per hour
- Orange light identifies when the unit is preheating
- Easy-to-clean with a removable drip tray
- 120V, 1100W

Dimensions

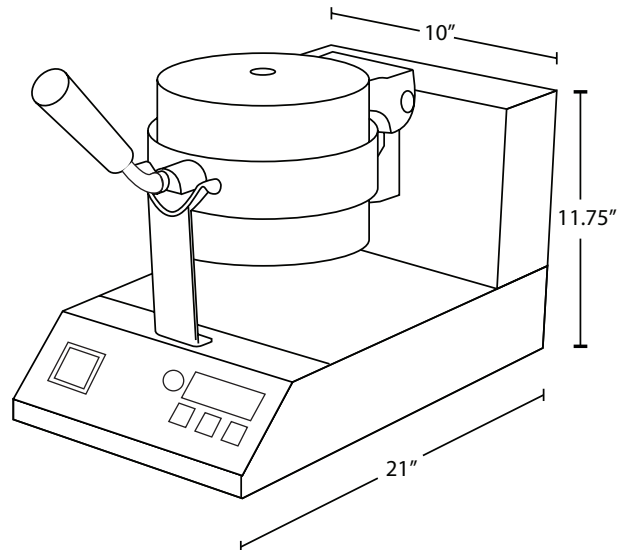
Unit Dimensions	10" x 21" x 11.75"
Temperature	Up to 445°F



NEMA 5-15P

Electrical

Voltage	120V
Wattage	1100W
Amps	9.17
Plug Type	NEMA 5-15P



Compatible Items from



Belgian Waffle Mix

(382BELGWAF)

- 6 - 5 lb. bags

Belgian Waffle Mix

(999BELGWAF)

- 5 lb. bags



WWW.CARNIVALKINGSUPPLIES.COM