

# Belgian Waffle Makers

## with Dial Controls



A great addition to any kitchen, these belgian waffle makers are perfect for diners, cafes, and hotel breakfast bars. Powerful and efficient, they are designed to keep up with your busiest rush. Plus, they comes with all of the necessary features to quickly create great tasting waffles!



- Rotating non-stick cooking grids
- 5 Minute timer with audible “ding”
- Makes waffles up to 7½” in diameter
- Adjustable temperature controls
- Easy to clean, removable drip tray
- Ergonomic, cool-touch handle



Item #382WBM13

# SINGLE BELGIAN WAFFLE MAKER



## Features

- Belgian waffle grids
- 5 minute timer with audible “ding” when done
- Power indicator light - shows the unit is on
- Heating indicator light - shows the unit is getting to selected temperature. Light turns off once the waffle maker is to temperature.
- Thermostatic temperature control up to 570° F
- Rotates 180 degrees for the perfect waffle
- Sturdy base
- Ergonomic cool touch handle
- Removable drip tray

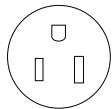
## Dimensions

Unit Dimensions	10"W x 21"D x 11.75"H
Temperature	Up to 570° F

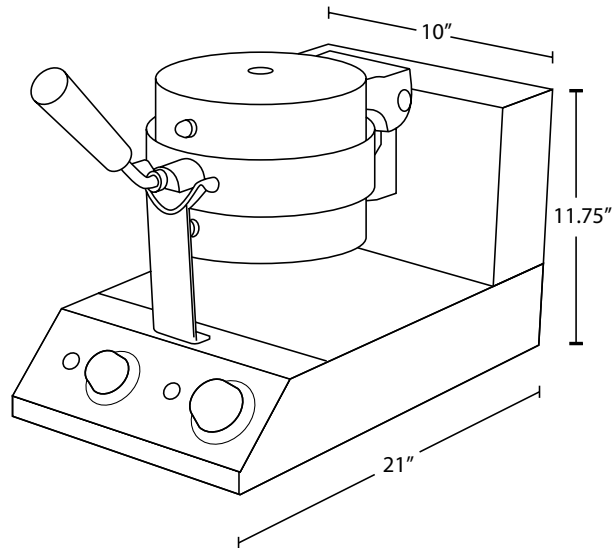
## Electrical



Voltage	120V
Wattage	1100W
Amps	10.8
Plug Type	NEMA 5-15P



NEMA 5-15P



## Compatible Items from



### Belgian Waffle Mix

(382BELGWAF)

- 6 - 5 lb. bags

### Belgian Waffle Mix

(999BELGWAF)

- 5 lb. bags



[WWW.CARNIVALKINGSUPPLIES.COM](http://WWW.CARNIVALKINGSUPPLIES.COM)