



Item #382PMW17R

8 OZ. POPCORN POPPER WITH WARMING/HOLDING MERCHANDISER

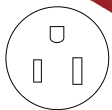


Features

- Side by side popcorn popper and 250W 3 shelf display warmer
- 165 one ounce servings per hour
- Attractive Merchandising design prompts impulse sales
- Built-in 60 watt warmer light and warming deck keeps popcorn fresh
- Twin arm suspended 8 oz. stainless steel kettle and stainless steel frame
- 4 toggle switch operation
- Dual removable crumb trays
- 6 month replacement warranty

Dimensions

Overall	35 1/2"W x 14 1/2"D x 30"H
Warming Display	13 1/2"W x 14 1/2"D x 30"H
Popcorn Cabin	22"W x 14 1/2" x 30" H
Kettle Capacity	8 oz.

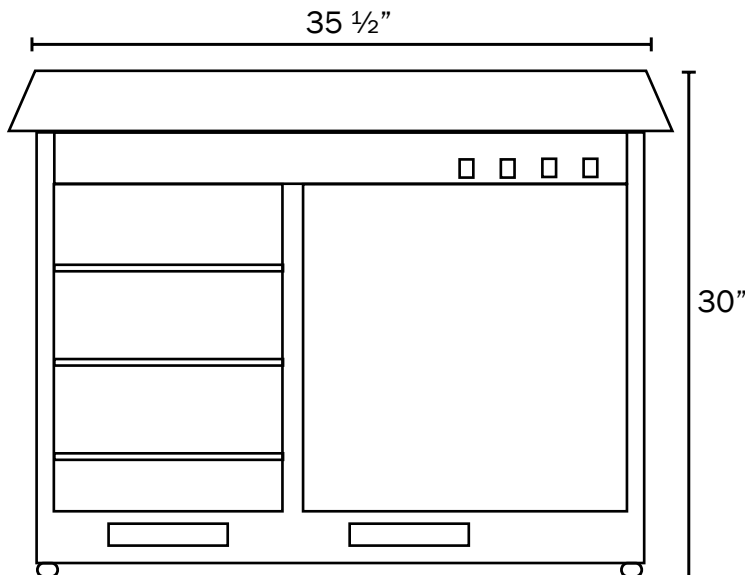


NEMA 5-15P

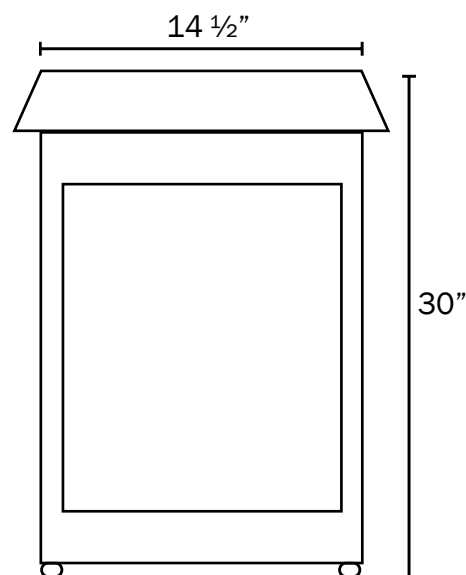
Electrical

Voltage	120V
Wattage	1700W
Plug Type	NEMA 5-15P

Front View



Side View





Item #382PMW17R

8 OZ. POPCORN POPPER WITH WARMING/HOLDING MERCHANDISER

Market Applications

Concession	Schools
Theaters, Stands, Events, Rentals	High School, Institutions, Leagues
<ul style="list-style-type: none"> • Fast cooking makes up to 165 one ounce servings per hour • 4 switch operation makes this unit capable of popping popcorn and holding many foods • Non marking rubber feet allows the unit to be placed on any surface without worry • The cabinet, kettle, and crumb tray makes cleaning a breeze for anyone 	<ul style="list-style-type: none"> • Affordable price and reliable quality makes this unit perfect for high volume establishments • Features a stainless steel hinged cover that makes scooping popcorn a breeze • Warming deck keeps popcorn warm and fresh for the evening rush • Warming cabin holds nacho chips, pretzels, peanuts, popcorn, and whatever you put in it

Royalty Series Features – What’s different?

- Whether a customer is walking by or is already in line for another item, the attractive graphics stand out and spark their interest while still being the classy popcorn design they’ve come to know and love.
- High power, 1700W/120V machine makes it easy to crank out hundreds of servings an hour for movie-goer or institution student rush at night, while the dual 60W warming bulbs and warming deck keeps leftover popcorn, pretzels, peanuts, and nacho chips warm and fresh for the next batch of customers.
- The popper and warming cabin combo gives you all access to making fresh popcorn, packaging it, and keeping it warm for the next customer.
- 6 month limited replacement warranty



8 oz. Stainless Steel Twin-Arm Kettle

The stainless steel kettle heats quickly. Once cooking, the finished popcorn falls to the warming deck, ready to serve to hungry customers.



Simple 4-Switch Operation

Four switches give you ultimate control over the entire machine. The switches control the lamp, warming deck, kettle heat, and turner.