



Item #382PM470

4 OZ. POPCORN POPPER



Features

- Built-in warmer light and warming deck
- Stainless steel frame and kettle
- Powder coated steel top
- Easy to clean removable kettle
- Includes one small plastic scoop, and measuring spoons
- 90 day replacement warranty

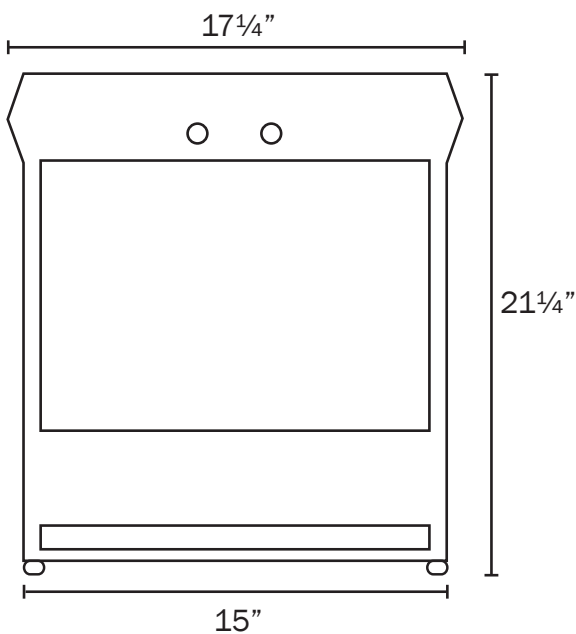
Dimensions

Unit Dimensions	14½"L x 17¼"W x 21¼"H
Capacity	4 oz.

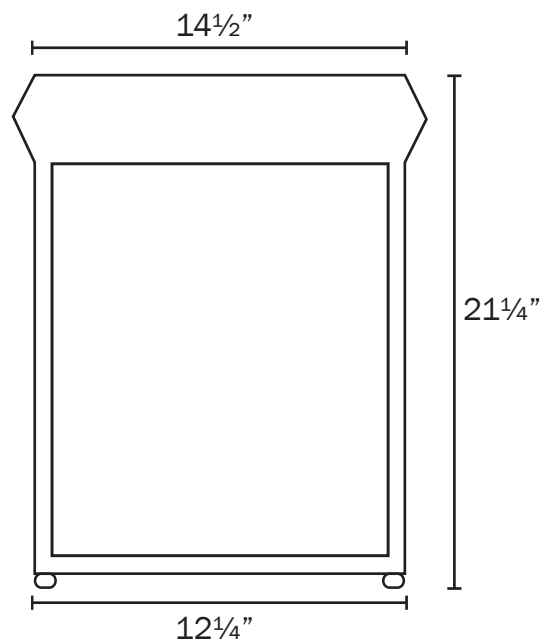
Electrical

Voltage	120V
Wattage	470W

Front View



Side View



WWW.CARNIVALKINGSUPPLIES.COM