



Item #382PM30R

# 8 OZ. POPCORN POPPER

## Features

- 165 one ounce servings per hour
- Attractive design prompts impulse sales
- Built-in 60 watt warmer light and warming deck keeps popcorn fresh
- Twin arm suspended 8 oz. stainless steel kettle and stainless steel frame
- Easy 3 toggle switch operation
- Removable crumb tray
- Powder coated steel top
- Easy to clean removable kettle
- 6 month replacement warranty

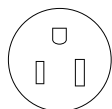
## Dimensions

Unit Dimensions	22"W x 16 1/2"D x 30"H
Kettle Capacity	8 oz.

## Electrical



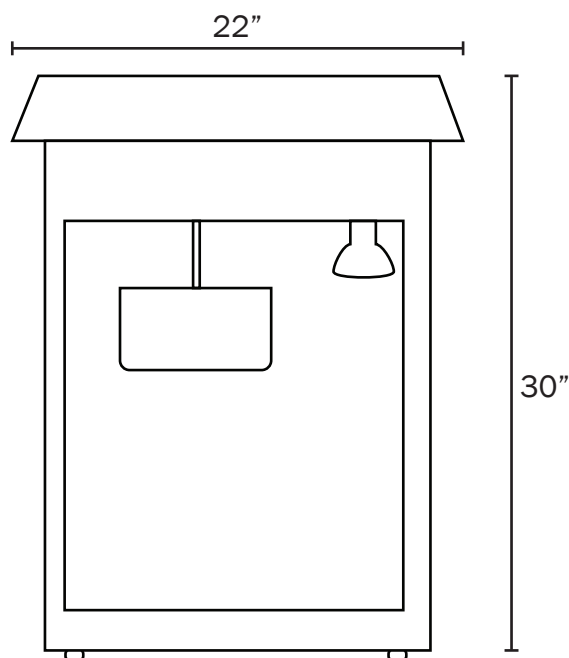
Voltage	110V
Wattage	1320W
Plug Type	NEMA 5-15P



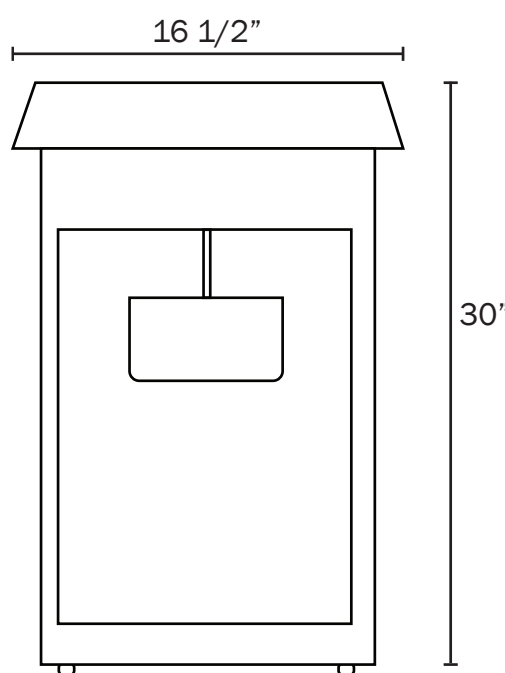
NEMA 5-15P



Front View



Side View





Item #382PM30R

# 8 OZ. POPCORN POPPER

## Market Applications

Concession	Schools
Theaters, Stands, Events, Rentals	High School, Institutions, Leagues
<ul style="list-style-type: none"> <li>• Fast cooking makes up to 165 one ounce servings per hour</li> <li>• Easy to use 3 switch operation keeps it simple for rental users</li> <li>• Non marking rubber feet allows the unit to be placed on any surface without worry</li> <li>• The cabinet, kettle, and crumb tray makes cleaning a breeze for anyone</li> </ul>	<ul style="list-style-type: none"> <li>• Affordable price and reliable quality makes this unit perfect for high volume establishments</li> <li>• Features a stainless steel hinged cover that makes scooping popcorn a breeze</li> <li>• Warming deck keeps popcorn warm and fresh for the evening rush</li> </ul>

## Royalty Series Features – What’s different?

- Whether a customer is walking by or is already in line for another item, the attractive graphics stand out and spark their interest while still being the classy popcorn design they’ve come to know and love.
- High power, 1320W/110V machine makes it easy to crank out hundreds of servings an hour for the movie-goer or institution student rush at night, while the 60W warming bulb and warming deck keeps leftover popcorn warm and fresh for the next batch of customers.
- The built-in Safety circuit breaker prevents motor burnout and reduces downtime so you can continue to push high-volume and high-profit sales in your establishment.
- 6 month limited replacement warranty



### Stainless Steel Hinged Cover & Tray

The warming deck keeps your popcorn fresh until you’re ready to serve, and the hinged cover makes scooping popcorn easy without opening the cabin doors.



### 8 oz. Stainless Steel Twin-Arm Kettle

The stainless steel kettle heats quickly. Once cooking, the finished popcorn falls to the warming deck, ready to serve to hungry customers.



### Easy to use 3-Switch Operation

Three switches are all that’s needed to control this unit, making it easy to use for any staff member or machine rental user.