

Portable Crepe Maker



Serve up deliciously sweet crepes topped with your signature sauces and fillings by adding these Carnival King CMPT16 16" crepe makers to your lineup! These units include a metal T-spreader and a spatula to make whipping up a batch of fresh crepes at your restaurant or hotel breakfast bar a breeze.



- 120 - 570°F temperature range
- Cast iron cooking surface
- Metal T-spreader and spatula included
- Non-slip feet help add stability
- Compact size, ideal for small prep areas or food trucks
- Ready lights help you monitor units operation



Item #382CMPT16A, #382CMPT16M

PORTABLE CREPE MAKER



Features



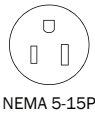
- Heat-resistant carrying handle for safe maneuvering and portability and non-slip feet
- 120 - 570 degree Fahrenheit temperature range with easy-to-use thermostatic control
- Heavy-duty stainless steel construction with 16" diameter cast iron cooktop
- Includes a metal T-spreader to evenly distribute batter and a spatula to easily flip crepes
- Green light indicates when the unit is on and orange light indicates cooking plate is ready to use

Dimensions

Unit Dimensions	6.75"H x 20.75" Diameter
Burner Diameter	16"
Temperature	120°F - 570°F

Electrical - A Model

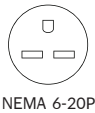
Voltage	120V
Wattage	1750W
Plug Type	NEMA 5-15P
Cooking Surface Material	Cast Iron
Style	Single Burner



NEMA 5-15P

Electrical - M Model

Voltage	208/240V
Wattage	2450W - 3625W
Plug Type	NEMA 6-20P
Cooking Surface Material	Cast Iron
Style	Single Burner



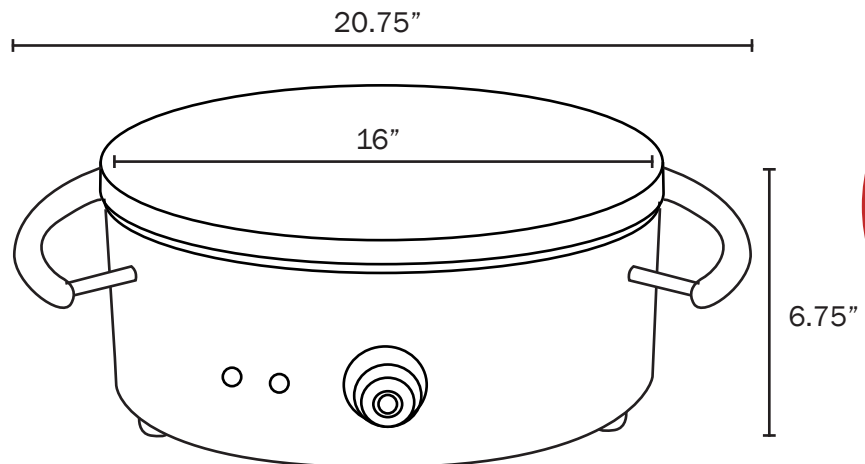
NEMA 6-20P

Compatible Items from



Crepe Mix (#382CREPE)

- Simple to use - just add water
- Saves preparation time
- Contains no additives
- Great for restaurants and bakeries



WWW.CARNIVALKINGSUPPLIES.COM