

Project Name: \_\_\_\_\_ AIA#: \_\_\_\_\_

Model #: \_\_\_\_\_ Location: \_\_\_\_\_

SIS#: \_\_\_\_\_ Item #: \_\_\_\_\_ Quantity: \_\_\_\_\_



# Chefmate® by Globe Compact Manual Slicer

**Enhanced usability,  
cleanability and sanitation  
features!**

*Compact in design but large on slicing.*



## Model

- C12 – 12" Diameter Knife

## Standard Features

- 12" hard chromed special alloy hollow ground knife, longer lasting and easier to sharpen
- 0 to 9/16" slice thickness
- 1/3 HP fan-cooled knife motor with permanently lubricated ball bearings, overload protection and manual reset
- Oversized positive traction grooved belt drive
- Smooth stainless steel ball bearing chute slide for ease of operation
- Stain resistant and easy-to-clean anodized aluminum finish
- Ergonomic dual purpose handle
- Lightweight and compact Italian space-saving design
- Easy to access top mounted, removable all metal knife sharpener — dual action with two stones for a razor sharp cutting edge!
- Food chute, slice deflector and knife cover are removable and easy-to-clean
- Metal bottom enclosure
- Moisture proof, easy-to-clean ON/OFF switch and knife hub
- Sealed splash zones for added sanitation and protection of electronics
- Angled gravity feed chute
- Power indicator light
- Non-slip rubber feet

## Warranty

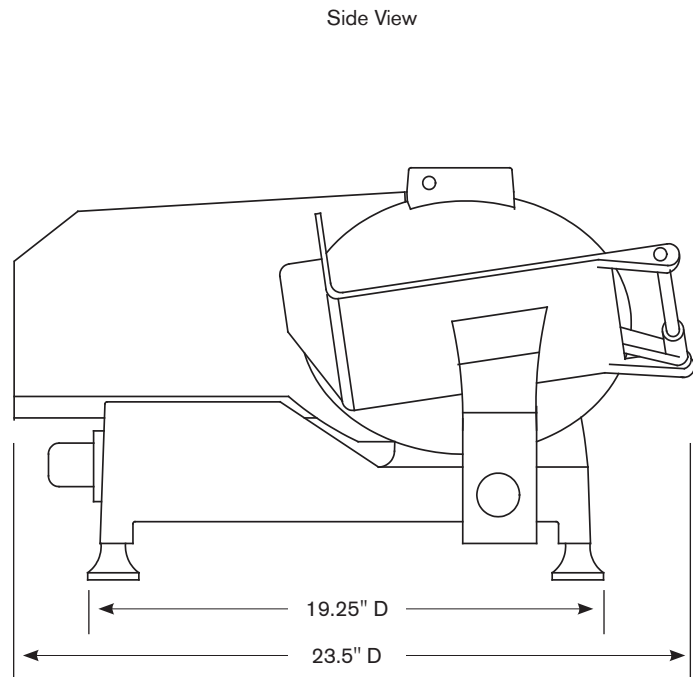
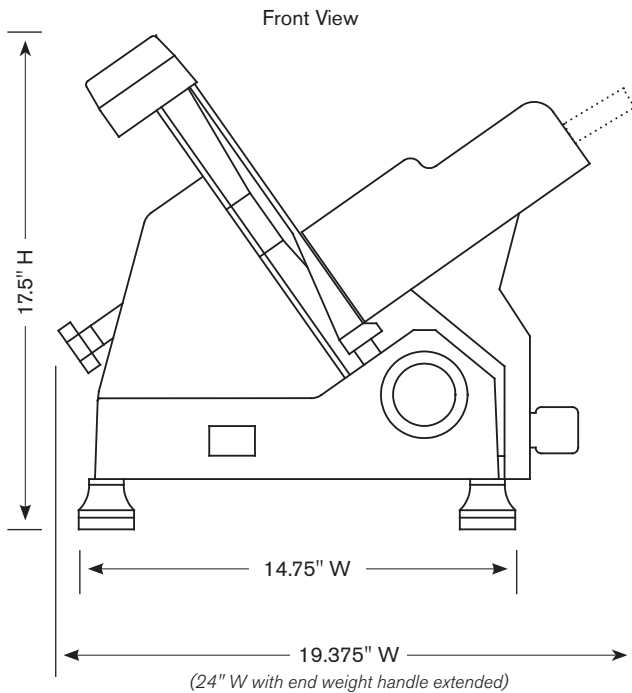
- One-year parts and labor

## Optional items

- Slicer cover
- Extended warranty

*To select options, see complete list on back*

Approved by: \_\_\_\_\_ Date: \_\_\_\_\_



## SPECIFICATIONS

Model	Auto or Manual	Motor	Volts	Amps	Drive Type	Slicing Volume per Day	Cheese Slicing	Blade Diameter	Max Slice	Product Cutting Capacity		
										W (Width)	D (Diameter)	H (Height)
C12	Manual	1/3 HP	115-60-1	3	Belt	1 hour		12" (30.5 cm)	9/16" (1.4 cm)	9.75" (24.7 cm)	8" (20.3 cm)	8.6" (21.9 cm)

**Cord & Plug:** Attached 5.5 foot flexible 3-wire cord with molded plug fits a grounded receptacle. NEMA 5-15

## DIMENSIONS | SHIPPING INFORMATION

Reinforced carton for shipping. The weight and dimensions of this reinforced carton are included below and may vary from shipment to shipment.  
**Freight class 77.5**

Model	Overall Dimensions	Net Wt	Shipping Dimensions	Shipping Wt
C12	24" w x 23.5" d x 17.5" h (61 cm x 60 cm x 43 cm)	50 lbs (22.7 kg)	22" w x 26" d x 20" h (56 cm x 66 cm x 51 cm)	57 lbs (26 kg)

Manual slicer with 12" diameter hard chromed special alloy, hollow ground knife with stain resistant anodized aluminum finish. Unit has 1/3 HP fan cooled motor with overload protection, manual reset, permanently lubricated ball bearings and positive traction grooved drive belt. Slicer has top mounted, removable, dual action knife sharpener with two stones, and removable food chute, slice deflector and knife cover. On/Off switch and electric wiring are moisture proof, with sealed splash zones. Slicer is NSF and ETL listed. One year parts and labor warranty.

## OPTIONAL ITEMS:

- SC-SMALL** small slicer cover
- C-XDSL** Extended warranty, extends factory warranty to 2 years on parts and labor in the continental U.S.

**Available only at time of purchase.**