



www.AvantcoRefrigeration.com

PROJECT: \_\_\_\_\_

MODEL: \_\_\_\_\_

ITEM #: \_\_\_\_\_ QUANTITY: \_\_\_\_\_

APPROVAL: \_\_\_\_\_ DATE: \_\_\_\_\_

# SC Series Countertop Display

MODEL #360SC52

## SC SERIES - GLASS DOOR COUNTERTOP DISPLAY

Great for showing off bottled beverages and prepackaged snacks or sandwiches.

### CABINET CONSTRUCTION

Durable black coated steel exterior with resilient ABS plastic interior and full length glass door.

### REFRIGERATION SYSTEM

1/10 hp compressor uses R600a refrigerant. Operation requires a 115V electrical connection.

Maintains a temperature range from 33-40°F.

Manual defrost system.

Mechanical temperature controller.

### STORAGE

Includes (3) adjustable, epoxy-coated steel shelves.

### MODEL FEATURES

Operates in an ambient temperature up to 90°F.

Foamed-in-place polyurethane insulation for temperature retention.

## SPECIAL FEATURES

- Compact, countertop design gives customers eye-level site of fresh ingredients
- Bright, energy efficient LED lighting illuminates the contents of the case
- Self-closing door prevents it from being left accidentally ajar
- Lock and key are standard to prevent tampering or theft
- Lighted merchandising sign draws the attention of customers
- 115V, 1/10 hp



## WARRANTY

RESIDENTIAL: Avantco assumes no liability for parts or labor coverage for component failure, factory defect or any other damages for units installed in non-commercial foodservice or residential applications.



Replacement



04/2020



# SC Series Countertop Display



[www.AvantcoRefrigeration.com](http://www.AvantcoRefrigeration.com)

**MODEL #360SC52**

## TECHNICAL DATA

### Dimensions

Exterior Dimensions	16½"W x 18⅞"D x 31¼"H
Interior Dimensions	13⅞"W x 12"D x 20"H
Net Volume	1.5 cu. ft.
Net Weight	51 lb.
Gross Weight	55 lb.
Packaging Dimensions	20"W x 21⅞"D x 33⅝"H

### Construction

Exterior Material	Coated Steel
Interior Material	ABS
Door Type	Hinged
Insulation Material	Foamed-In-Place Polyurethane
Shelves	(3) 9½" x 12¾"
Shelf Material	Epoxy-coated steel
Shelf Load Capacity	33 lb.

### Cooling

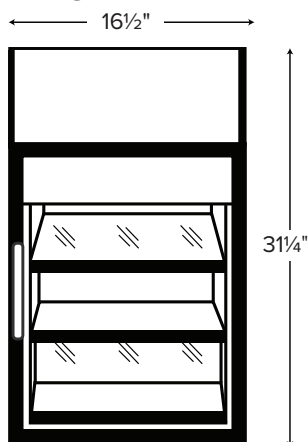
Temperature Range	33°F - 40°F
Refrigerant	R600a
Max. Ambient Temperature	90°F
Defrosting	Manual
Temperature Controller	Mechanical
Horsepower	1/10
BTU (BTU/hr)	232

### Electrical

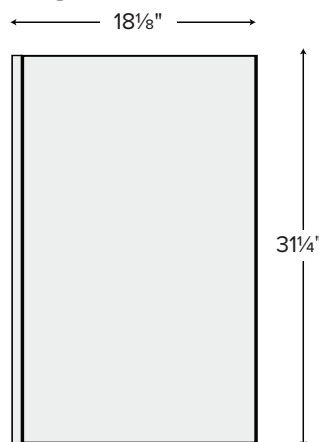
Voltage	115
Amps	1.6
Hz	60
Phase	1
Plug Type	NEMA 5-15P
Electrical Cord Length	70"

## PLAN VIEW

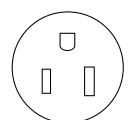
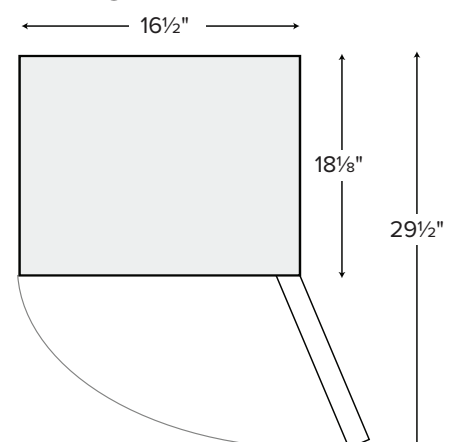
FRONT VIEW



SIDE VIEW



TOP VIEW



NEMA 5-15P