

RSD Series Countertop Refrigerated Sushi Display Case

MODEL #360RSD46HC

REFRIGERATION
AVANTCO

www.AvantcoRefrigeration.com

RSD SERIES - COUNTERTOP SUSHI DISPLAY CASE

Perfect for showcasing fresh sushi, sashimi, or even high end meats and cheeses right at patron's eye level.

CABINET CONSTRUCTION

Durable plastic and tempered glass exterior with stainless steel interior.

Sleek and modern curved design.

Polystyrene insulation for temperature retention.

REFRIGERATION SYSTEM

1/6 hp compressor uses R290 refrigerant. Operation requires a 115V electrical connection.

Maintains a temperature range from 33-40°F.

Includes automatic defrost setting.

STORAGE

Can hold (4) 1/3 size, 1½" depth hotel pans (included with unit).

MODEL FEATURES

Intuitive, easy to read pre-programmed electronic controls.

Operates in an ambient temperature up to 90°F.

Internal LED lighting illuminates sushi.

SPECIAL FEATURES

- Compact, countertop design gives customers eye-level site of fresh ingredients.
- Eco-friendly R290 hydrocarbon refrigerant.
- Bright, energy efficient LED lighting illuminates the contents of the case.
- Right side compressor allows unit to be placed flush against wall or equipment.
- Rear sliding door gives easy access for both serving and loading of the food.
- Non-scratch feet will not leave marks on your countertop.
- Rear located drain for easy draining of condenser defrost water.
- 115V, 1/6 hp.



WARRANTY

RESIDENTIAL: Avantco assumes no liability for parts or labor coverage for component failure, factory defect or any other damages for units installed in non-commercial foodservice or residential applications.



Replacement



RSD Series Countertop Refrigerated Sushi Display Case



www.AvantcoRefrigeration.com

MODEL #360RSD46HC

TECHNICAL DATA

Dimensions

Exterior Dimensions	46 $\frac{3}{8}$ "W x 16 $\frac{1}{2}$ "D x 10 $\frac{1}{2}$ "H
Interior Dimensions	29 $\frac{1}{8}$ "W x 15 $\frac{1}{4}$ "D x 8 $\frac{3}{4}$ "H
Net Volume (cu. ft.)	1 $\frac{7}{8}$ cu. ft.
Net Weight	76 lb.
Gross Weight	81 lb.
Packaging Dimensions	50"W x 20"D x 14 $\frac{1}{4}$ "H

Cooling

Temperature Range	33° - 40°F
Refrigerant	R290
Max Ambient Temperature	90°F
Defrosting	Automatic
Temperature Controller	Digital
Horsepower (HP)	1/6
BTU (BTU/HR)	648

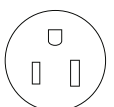
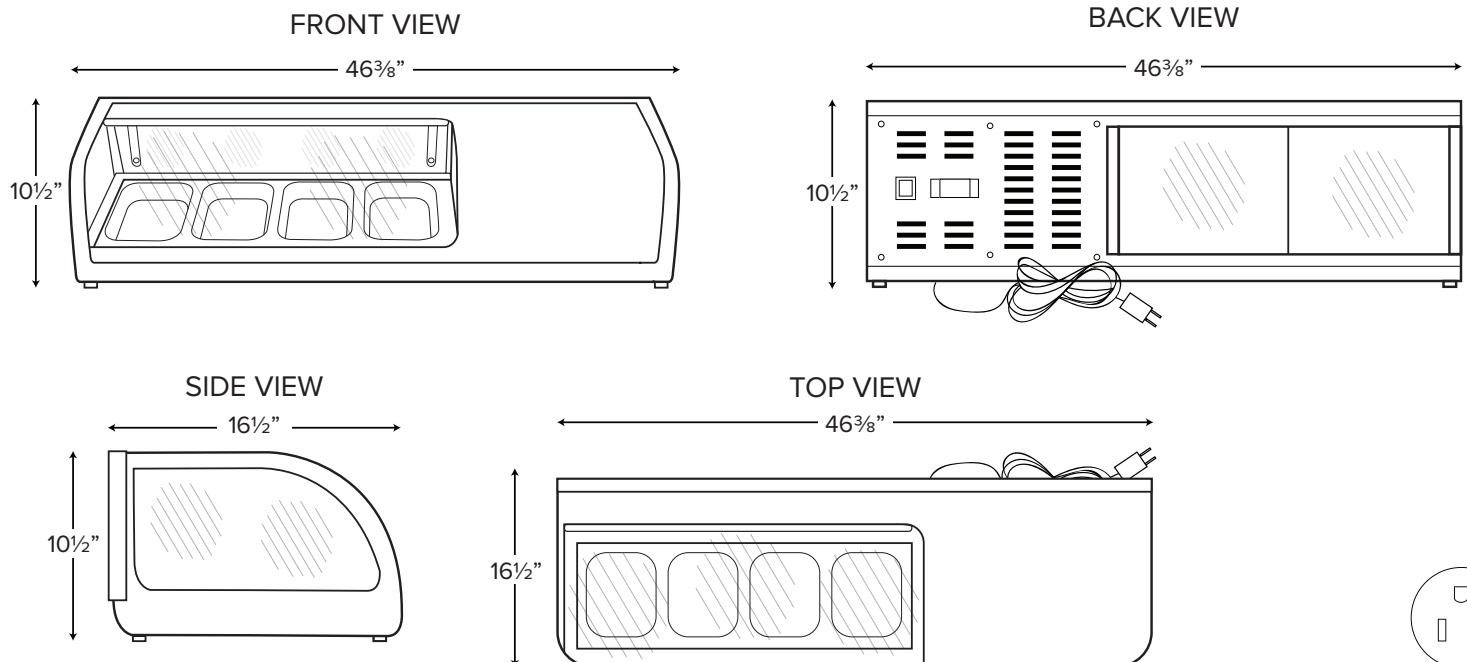
Construction

Exterior Material	Plastic and Tempered Glass
Interior Material	Stainless Steel and Plastic
Door Type	Sliding
Insulation Material	Polystyrene

Electrical

Voltage	115
Amps	1.3
Hz	60
Phase	1
Plug	5-15P
Cord Length	94"

PLAN VIEW



NEMA 5-15P