

# ICFC Series

## Commercial Display Freezers

Avantco ICFC series curved lid display freezers are the perfect way to merchandise pre-packaged ice cream snacks, popsicles, and more! With three available sizes to choose from, and plenty of convenient features like sliding double glass doors and wire storage baskets, these freezers provide a crystal clear view of your products and ample storage and display space for any application. Their white powder coated steel exterior offers a sleek, attractive presentation, and an embossed aluminum interior provides safe, sanitary storage. Use them to give customers quick and easy access to all of their favorite frozen novelties!



- White powder coated steel exterior
- Embossed aluminum interior
- Baskets included
- R134a refrigerant
- Drain plug
- Meets ETL electrical standards

REFRIGERATION  
**AVANTCO**



Display ice cream, popsicles, and other frozen novelties in style with this Avantco ICFC9 8.8 cu. ft. curved lid display freezer! Its sliding, vacuum-sealed glass doors provide crystal clear visibility of your best-selling cold treats. Featuring a durable embossed aluminum interior, this freezer's foamed in place polyurethane insulation maintains temperatures between -0.4 and 10 degrees Fahrenheit. Its white powder coated steel exterior provides a sleek, attractive appearance. Two baskets are included to help keep products organized.

A set of casters makes it easy to transport this display freezer or move it for maintenance, and it also features a drain plug for easy defrosting. The Avantco ICF9 is ETL Safety Listed, 115V and comes with a cord and NEMA 5-15P plug.

## Features

- 8.8 cu. ft. of storage
- Sliding glass doors
- White powder coated steel exterior
- Embossed aluminum interior
- (4) casters for easy transport
- (2) baskets included
- R134a refrigerant
- Drain plug
- Meets ETL electrical standards

## Technical Data

### Dimensions

Exterior Dimensions (W x D x H)	40 <sup>11</sup> / <sub>16</sub> " x 24 <sup>7</sup> / <sub>16</sub> " x 34 <sup>1</sup> / <sub>4</sub> "
Interior Dimensions (W x D x H)	35" x 19" x 27" (12"W x 10 <sup>1</sup> / <sub>2</sub> "H box for compressor excluded)
Net Volume (cu. ft.)	8.8
Net Weight (lbs.)	115

### Cooling

Temperature Range	-0.4° - 10° F
Refrigerant	R134a
Maximum Ambient Temperature Rating	90°F
Defrosting	Manual
Temperature Display	No
Temperature Controller	Manual (0-7 scale)

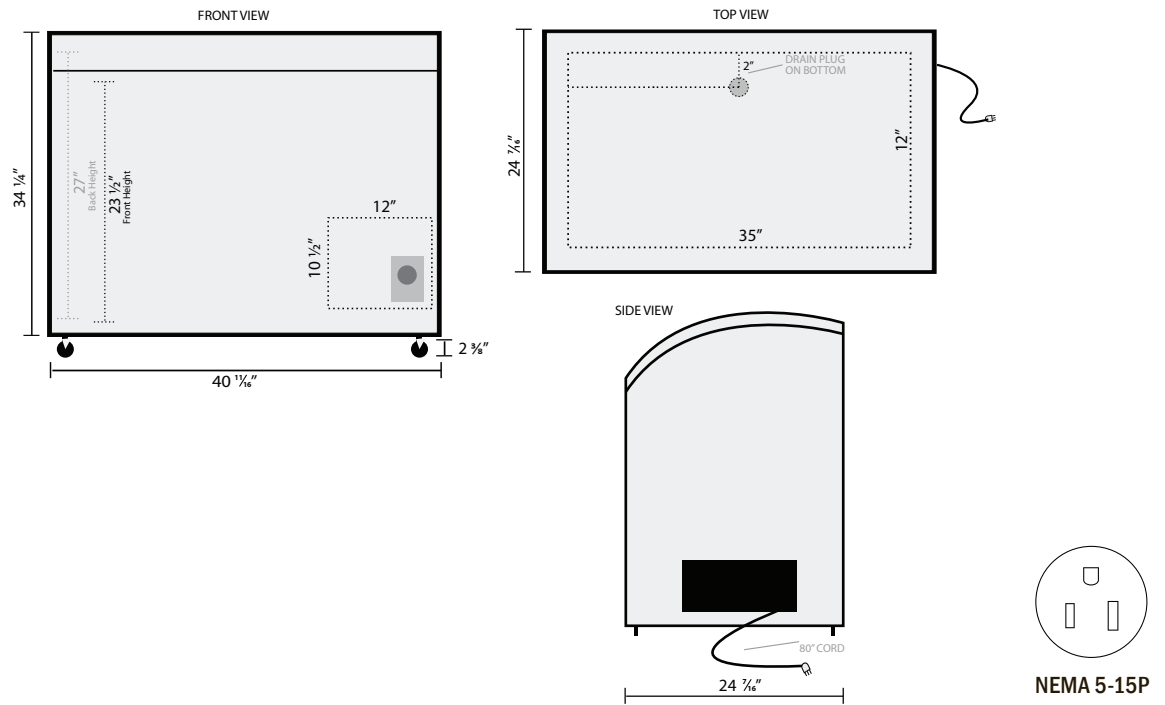
### Construction

Exterior Material	Steel sheet with White Powder Coating
Interior Material	Embossed Aluminum Sheet
Insulation Material	Foamed in Place Polyurethane
Basket Material	Plastic Coated Wire
Drain	Located on back side

### Electrical

Voltage	115
Amps	3
Hz	60
Phase	1
Electrical Cord Length	80"
NEMA Plug	5-15p
Cord and Plug Included	Yes

# Plan View



Parts & Labor

Avantco Display Freezers are backed by a 1 year parts and labor warranty. For warranty inquiries or service, locate the serial number plate on the front of the unit, or inside the door jamb. Be sure to have the serial and model numbers available when contacting service technicians.